



For product inquiries:  
Tricam  
7677 Equitable Drive  
Eden Prairie, MN 55344  
800-867-6763  
www.tricam.com

# Heavy-Duty Utility Cart



## Owners Manual Model GW2120D-2

U.S. Patent #s: 7,210,697 & 7,441,792  
Canada Patent #: 2,503,869  
Other U.S. and Foreign Patents Pending

- Important Safety Instructions
- Assembly Instructions
- Parts and Hardware Identification

**CAUTION:** Read, understand and follow ALL instructions before using this product.

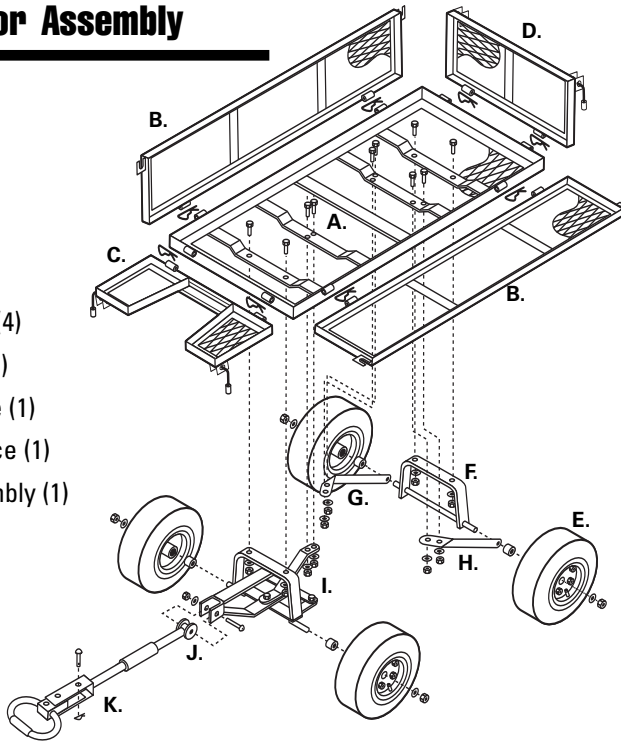
**WARNING:** Not for recreational use. Persons should never ride in the Dump Cart.

Questions, problems, or missing parts? Before returning to your retailer, visit us online at [www.tricam.com](http://www.tricam.com) and complete the replacement parts submission form or call our customer service department at 1-800-867-6763, 9 a.m. - 4 p.m., CST, Monday-Friday.

## Exploded Drawing for Assembly

### Parts List

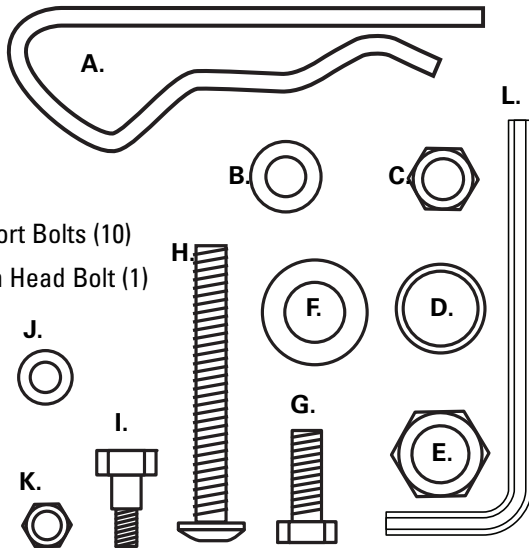
- A. Bed (1)
- B. Side Panels (2)
- C. Front Panel (1)
- D. Back Panel (1)
- E. 13in (33cm) Wheels (4)
- F. Rear Axle Support (1)
- G. Left Rear Axle Brace (1)
- H. Right Rear Axle Brace (1)
- I. Front Support Assembly (1)
- J. Plastic Coupling (1)
- K. Handle (1)



### Hardware List

Drawings are not to scale

- A. Fence Assembly Pins (8)
- B. M8 Washers (10)
- C. M8 Lock Nuts (10)
- D. Wheel Spacers (4)
- E. M12 Lock Nuts (4)
- F. M12 Washers (4)
- G. M8x20 Carriage Support Bolts (10)
- H. M8x60 Internal Button Head Bolt (1)
- I. M8x15 Shoulder Bolts (2)
- J. M6 Washers (2)
- K. M6 Lock Nuts (2)
- L. Allen Wrench (1)



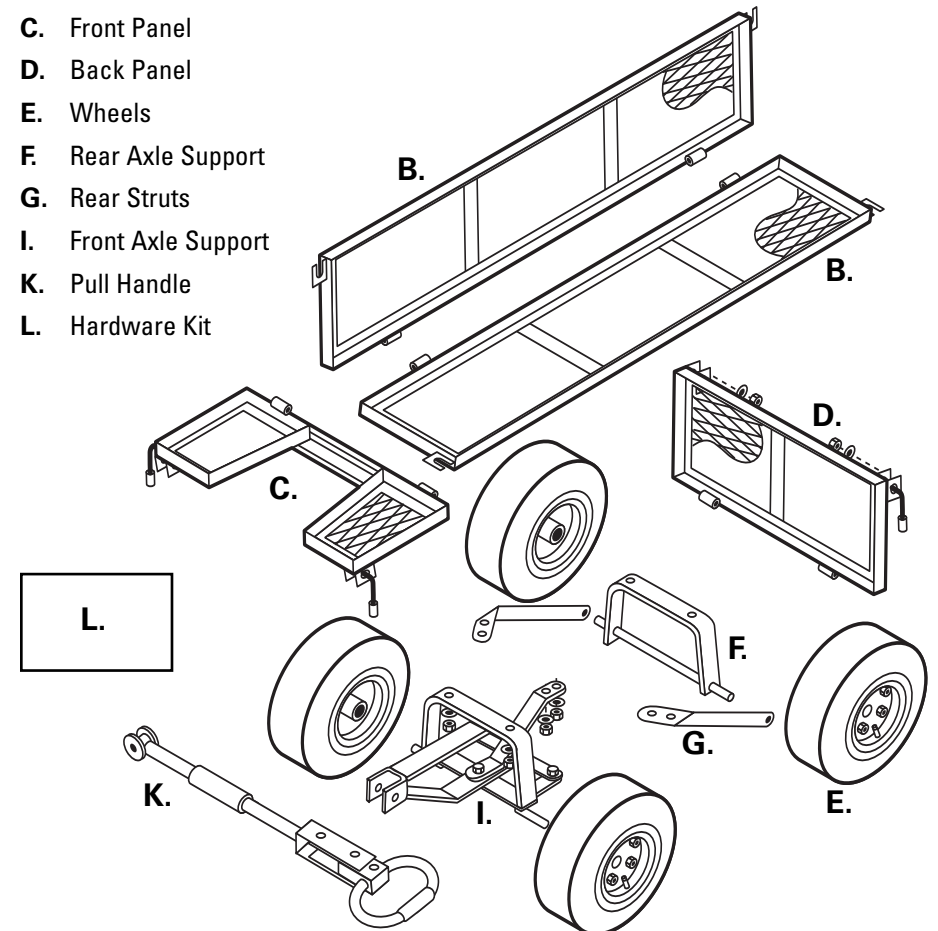
## CAUTION

DO NOT EXCEED MAXIMUM OVERALL LOAD CAPACITY 1,000 LBS (453 KG). PERSON SHOULD NEVER RIDE IN THE UTILITY CART. WEIGHT RATING IS BASED ON AN EVENLY DISTRIBUTED LOAD.

### Replacement Parts List

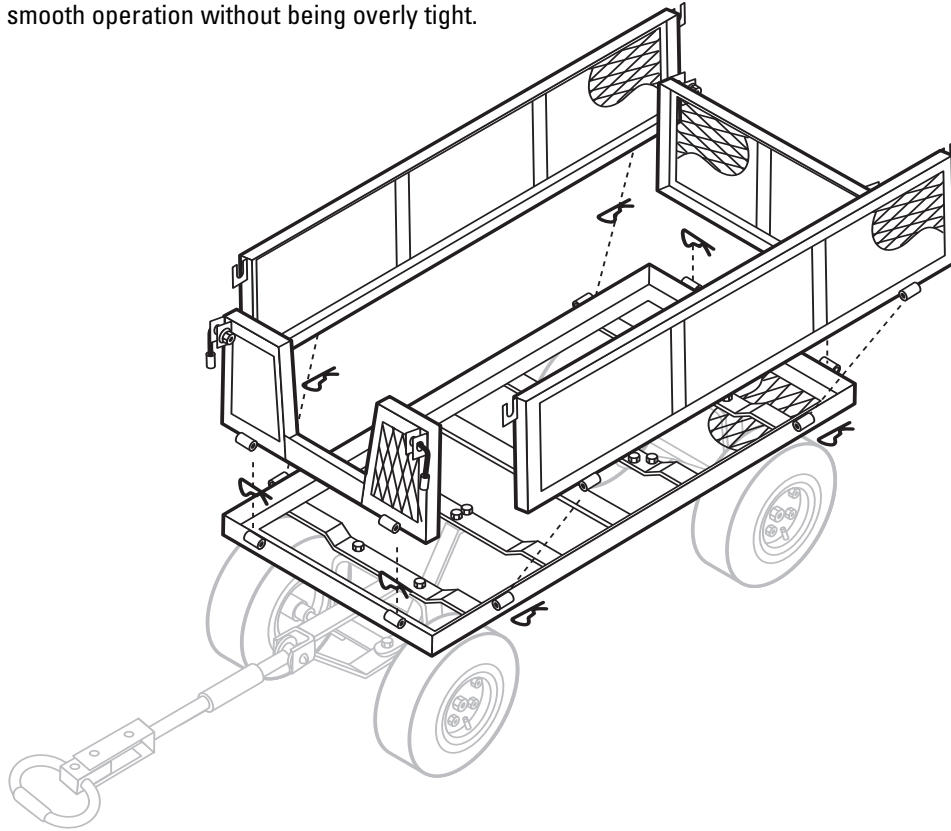
For replacement parts, please visit us online at [www.tricam.com](http://www.tricam.com) to complete the replacement parts submission form or call our customer service department at 1-800-867-6763, 9 a.m. - 4 p.m., CST, Monday - Friday.

- B. Side Panels
- C. Front Panel
- D. Back Panel
- E. Wheels
- F. Rear Axle Support
- G. Rear Struts
- I. Front Axle Support
- K. Pull Handle
- L. Hardware Kit



### Step 5

The lock handles are pre-assembled onto the panels at the factory. **NOTE: Do not tighten the lock nuts on the lock handles until the end of this step.** Attach the front, back, and side panels (2) onto the bed using the fence assembly pins. Latch the front and back panels to the side panels using the lock handles. Once all panels are locked together in the upright position, tighten the M8 lock nuts on the lock handles for smooth operation without being overly tight.



## Swivel Handle Instructions

### Step 1

Remove clips and cotter pins.

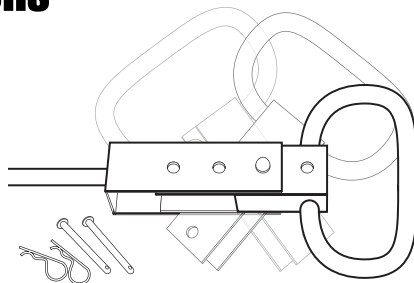
### Step 2

Rotate the handle and insert cotter pin.

Secure by attaching the clip.

### Step 3

The second cotter pin is used to attach the handle to the trailer hitch.



## Important Safety Instructions

1. **READ ALL INSTRUCTIONS CAREFULLY BEFORE USE.** If you do not understand these instructions, need clarification or further explanation, please call our toll free answer line for assistance at **1-800-867-6763** Monday through Friday 9:00 a.m. - 4:00 p.m., CST.
2. Do not exceed the overall maximum load capacity of 1,000 lbs (453 kg). The weight rating is based on an evenly distributed load.
3. Do not load items on the top edges of the panels. Remove panels before loading oversized items.
4. Do not allow children to use this cart without supervision. This cart is not a toy.
5. Do not use this cart to transport passengers.
6. This cart is not intended for highway use.
7. Do not exceed 5 mph.
8. If any parts become damaged, broken or misplaced, do not use the cart until replacement parts have been obtained.
9. Do not use the cart on surfaces or for transporting objects that can cause damage to the pneumatic tires or tubes. **Do not inflate the tires to more than 30 PSI (2.07 BAR).**
10. It is recommended that the cart be inspected for damage before each use.
11. **KEEP THESE INSTRUCTIONS FOR FURTHER REFERENCE.**

## Assembly Instructions

Your cart requires assembly. Account for all parts before beginning assembly. If any parts are missing, damaged, or if you have any questions or need additional instructions, **DO NOT RETURN THIS PRODUCT TO THE RETAILER**, visit us at [www.tricam.com](http://www.tricam.com) to complete the replacement parts submission form or call our customer service department at 1-800-867-6763.

Tools required for assembly: medium size screwdriver, wrenches and/or metric socket set.

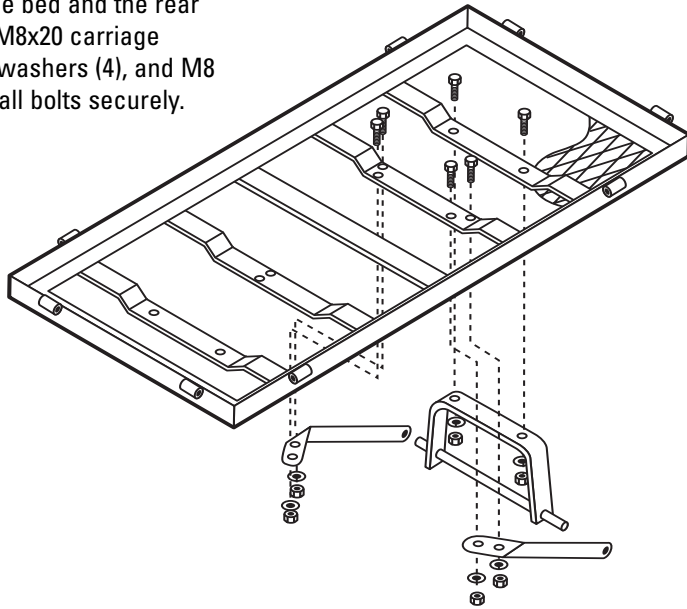
**TOOLS NOT INCLUDED.**

**Refer to the exploded drawing and the parts list on the following pages during assembly.**

**NOTE: During each step of assembly, assemble all hardware and hand tighten. Once all the hardware is installed for that particular step, tighten all hardware.**

### Step 1

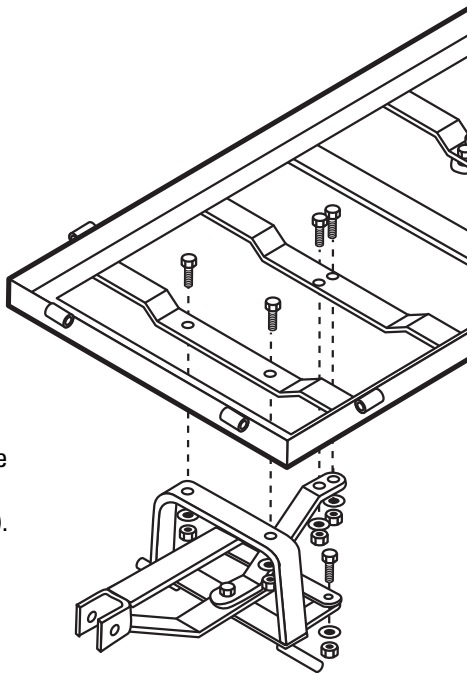
Assemble the rear axle support to the bed using M8x20 carriage support bolts (2), M8 washers (2), and M8 lock nuts (2). Once this is attached, assemble the left and right rear axle braces to the bed and the rear axle assembly using M8x20 carriage support bolts (4), M8 washers (4), and M8 lock nuts (4). Tighten all bolts securely.



### Step 2

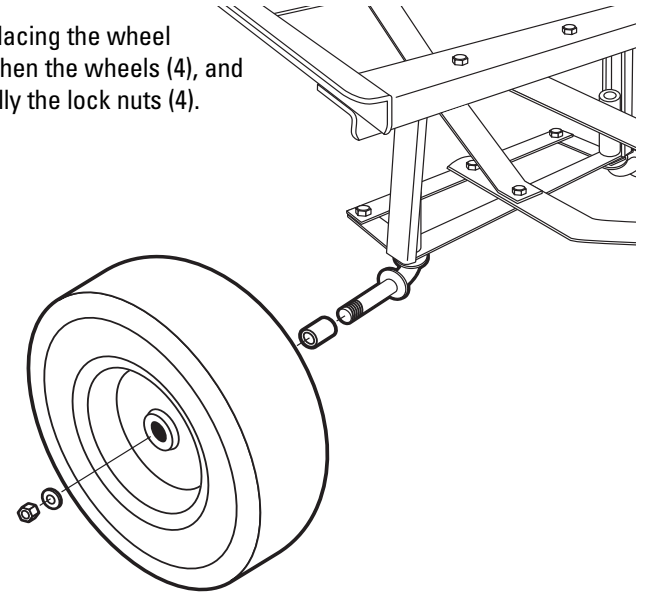
The front support assembly is mostly pre-assembled at the factory. Please make sure that all of the bolts and lock nuts assembled at the factory are tight.

- A. Insert the M8x15 shoulder bolts (2) into each end of the steering link connector. Apply M6 washers (2) and M6 lock nuts (2) and tighten securely.
- B. Attach the front axle support to the bed using M8x20 carriage support bolts (2), M8 washers (2), and M8 lock nuts (2).
- C. Secure the center front axle brace to the bed using M8x20 carriage support bolts (2), M8 washers (2), and M8 lock nuts (2). Tighten all securely.



### Step 3

Attach the wheels by first placing the wheel spacers (4) onto each axle, then the wheels (4), and wheel washers (4), and finally the lock nuts (4). Tighten securely.



### Step 4

Attach the swivel handle to the yoke and the plastic coupling using the M8x60 internal button head bolt (1), M8 washer (1), and M8 lock nut (1).

