

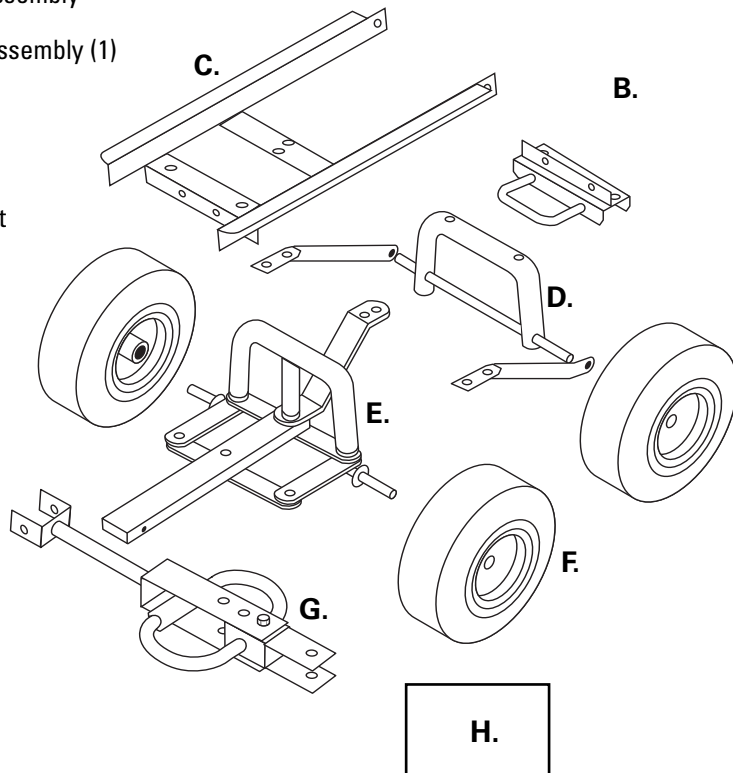
# ⚠ CAUTION

DO NOT EXCEED MAXIMUM OVERALL LOAD CAPACITY 600 LBS (272 KG.).  
MAXIMUM DUMPING LOAD CAPACITY 300 LBS. (136 KG.).  
WEIGHT RATING IS BASED ON AN EVENLY DISTRIBUTED LOAD.

## Replacement Parts List

For replacement parts, please visit us online at [www.tricam.com](http://www.tricam.com) to complete the replacement parts submission form or call our customer service department at 1-800-867-6763, 9 a.m. - 4 p.m., CST, Monday - Friday.

- B. Lock Assembly
- C. Front Frame
- D. Rear Axle Assembly
- E. Front Axle Assembly (1)
- F. 10 in Wheel
- G. Handle
- H. Hardware Kit



# Medium-Duty Dump Cart



## Owners Manual Model GW2170D-1

U.S. Patents: 6,851,756, 7,210,697, 7,390,065,  
7,441,792, 7,818,865, 7,887,141  
Canada Patent: 2,503,869  
Other U.S. and Foreign Patents Pending

- Important Safety Instructions
- Assembly Instructions
- Parts and Hardware Identification

**CAUTION:** Read, understand and follow ALL instructions before using this product.

**WARNING:** Not for recreational use. Persons should never ride in the Dump Cart.

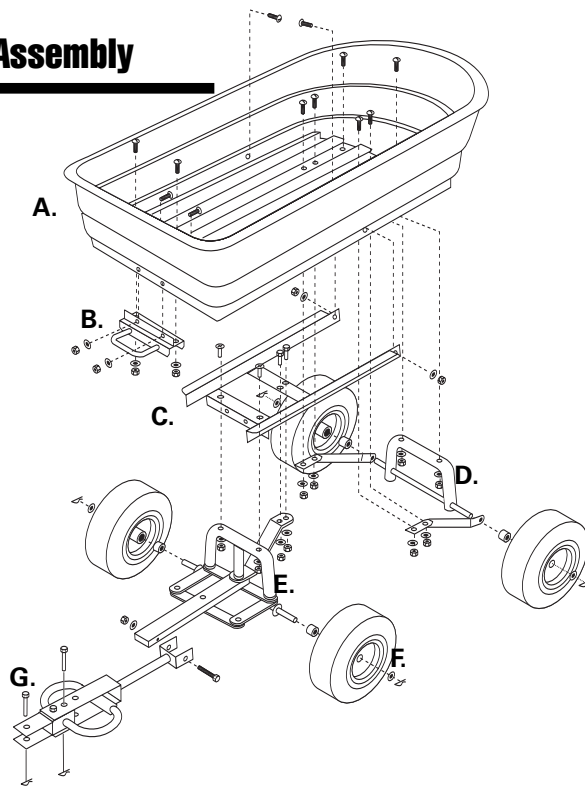
Questions, problems, or missing parts? Before returning to your retailer, visit us online at [www.tricam.com](http://www.tricam.com) and complete the replacement parts submission form or call our customer service department at 1-800-867-6763, 9 a.m. - 4 p.m., CST, Monday-Friday.

For product inquiries:  
Tricam  
7677 Equitable Drive  
Eden Prairie, MN 55344  
800-867-6763  
[www.tricam.com](http://www.tricam.com)

## Exploded Drawing for Assembly

### Parts List

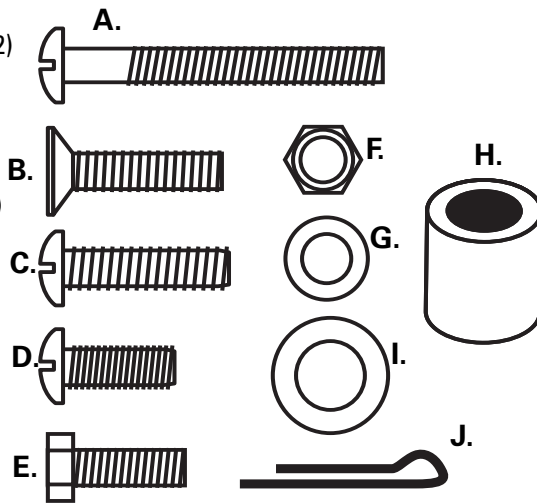
- A. Tray (1)
- B. Lock Assembly (1)
- C. Front Frame (1)
- D. Rear Axle Assembly (1)  
(includes rear axle and left and right struts)
- E. Front Axle Assembly (1)
- F. 10 in (25.4cm) Wheels (4)
- G. Handle (1)



### Hardware List

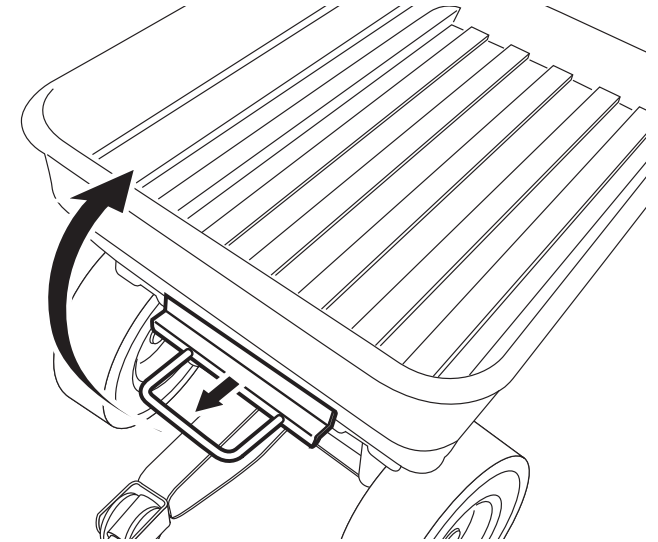
- A. M8x60 Bolt (1)
- B. M8x40 Flat Head Bolts (2)
- C. M8x40 Truss Head Bolts (2)
- D. M8x20 Truss Head Bolts (10)
- E. M8x20 Hex Head Bolts (2)
- F. M8 Lock Nuts (17)
- G. M8 Washers (17)
- H. Wheel Spacers (4)
- I. 16mm Washers (4)
- J. Cotter Pins (4)

Drawings are not to scale



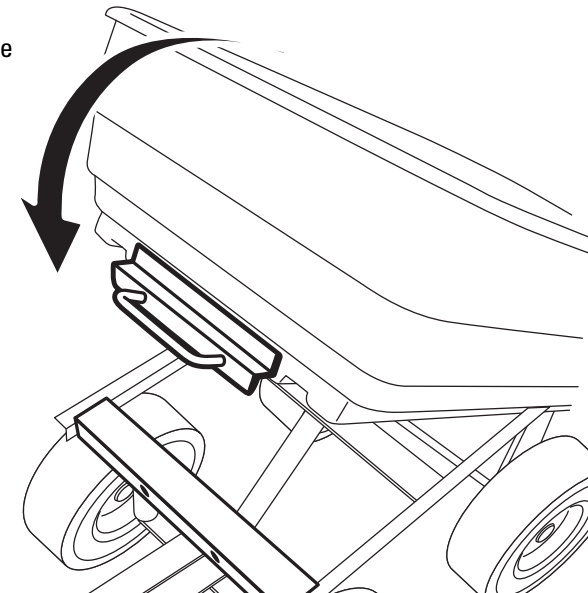
## Using the Dumping Feature

To operate the dumping feature, pull the dumping release handle outward to release the plastic bed from the locking mechanism. Lift up the release handle to rotate cart upward into the dumping position.



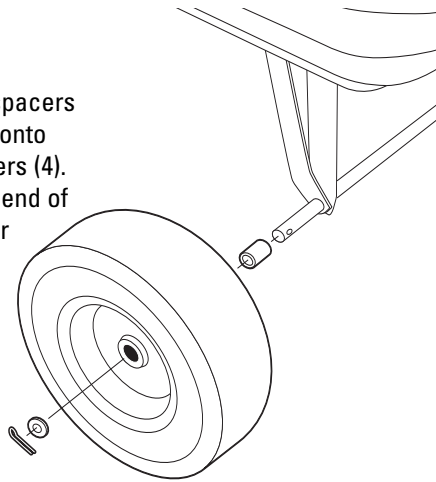
## Returning the Plastic Bed to the Lowered Position

Rotate the plastic bed back down to the lowered position. Make sure the dumping release handle is locked into place when the cart is in the lowered position.



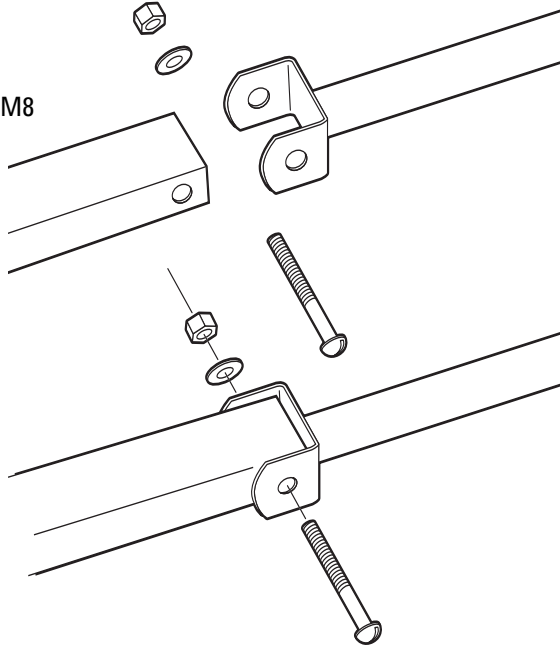
### Step 6

Attach the wheels by first placing the wheel spacers (4) onto each axle, then placing the wheel (4) onto each axle and finally placing the wheel washers (4). Insert the cotter pins (4) into the hole at each end of the axles and bend back the ends of the cotter pins to keep them in place.



### Step 7

Attach the handle to the yoke using M8x60 bolt (1), M8 lock nut (1), and M8 washer (1).



## Swivel Handle Instructions

### Step 1

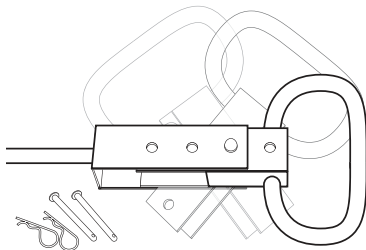
Remove clips and cotter pins.

### Step 2

Rotate the handle and insert cotter pin. Secure by attaching the clip.

### Step 3

The second cotter pin is used to attach the handle to the trailer hitch.



## Important Safety Instructions

1. READ ALL INSTRUCTIONS CAREFULLY BEFORE USE. If you do not understand these instructions, need clarification or further explanation, please call our toll free answer line for assistance at , **1-800-867-6763** Monday through Friday 9:00 a.m. - 4:00 p.m, CST.
2. Do not load the cart with more than 600lbs (272kg). Do not use the dumping feature of the cart with more than 300lbs (136kg). The weight rating is based on an evenly distributed load.
3. Do not allow children to use the cart without supervision. This cart is not a toy.
4. Do not use this cart for transporting passengers.
5. This cart is not intended for highway use.
6. Do not exceed 5 mph.
7. Do not load any items on the top edges of the tray.
8. If any parts become damaged, broken or misplaced, do not use this cart until replacement parts have been obtained.
9. Do not use this cart on surfaces or for transporting objects than can cause damage to the pneumatic tires or tubes.  
**Do not inflate the tires to more than 30 PSI (2.07 BAR).**
10. It is recommended that the cart be inspected for damage before each use.
11. **KEEP THESE INSTRUCTIONS FOR FURTHER REFERENCE.**

## Assembly Instructions

Your cart requires assembly. Account for all parts before beginning assembly. If any parts are missing, damaged, or if you have any questions or need additional instructions, DO NOT RETURN THIS PRODUCT TO THE RETAILER, visit us at [www.tricam.com](http://www.tricam.com) to complete the replacement parts submission form or call our customer service department at 1-800-867-6763.

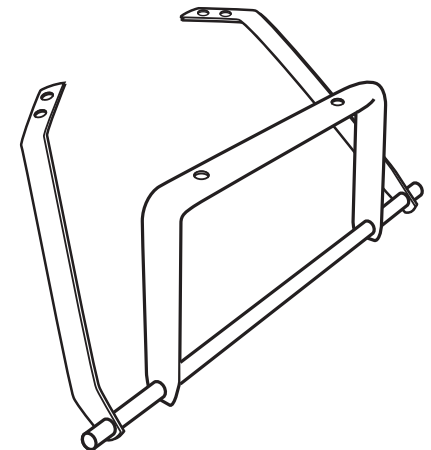
Tools required for assembly: phillips screwdriver, socket set (or two adjustable wrenches).

**TOOLS NOT INCLUDED.**

**NOTE:** During each step of assembly, assemble all hardware and hand tighten. Once all the hardware is installed for that particular step, tighten all hardware.

### Step 1

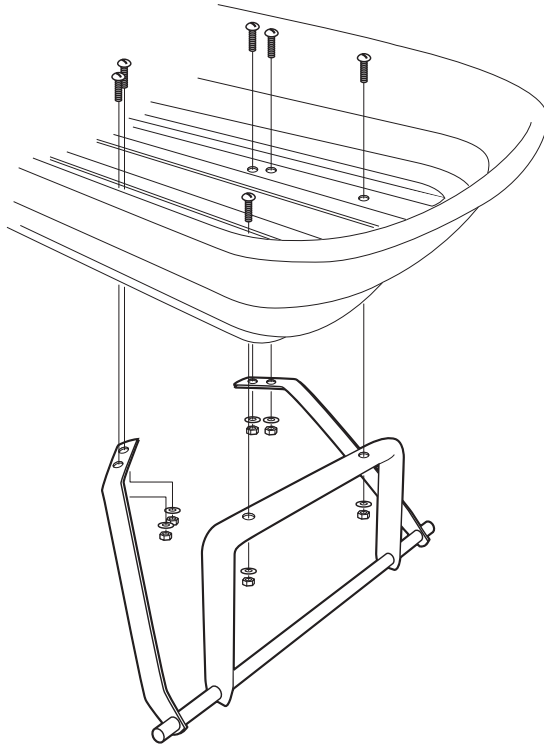
Locate the rear axle assembly (the left and right rear struts are pre-assembled to the rear axle frame as shown



### Step 2

Attach the rear axle assembly to the tray using M8x40 truss head bolts (2), M8 lock nuts (2), and M8 washers (2).

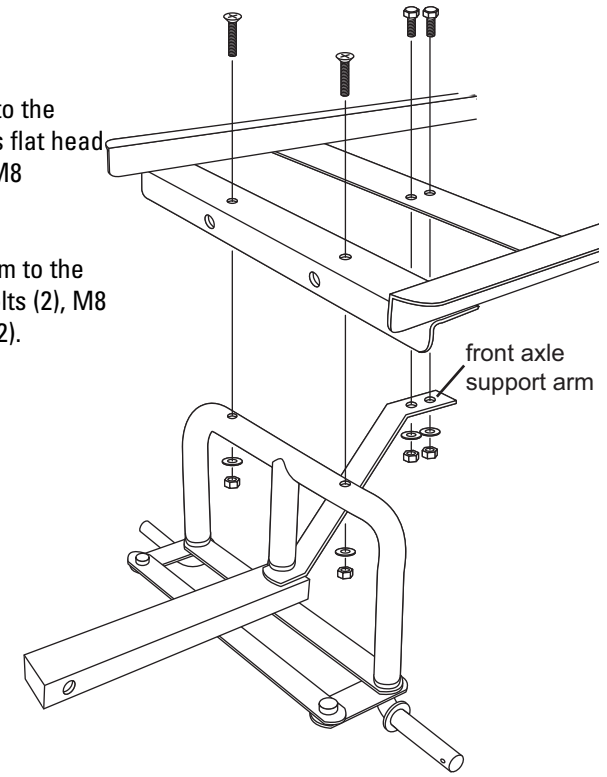
Attach the left and right rear struts to the tray using M8x20 truss head bolts (4), M8 lock nuts (4), and M8 washers (4).



### Step 4

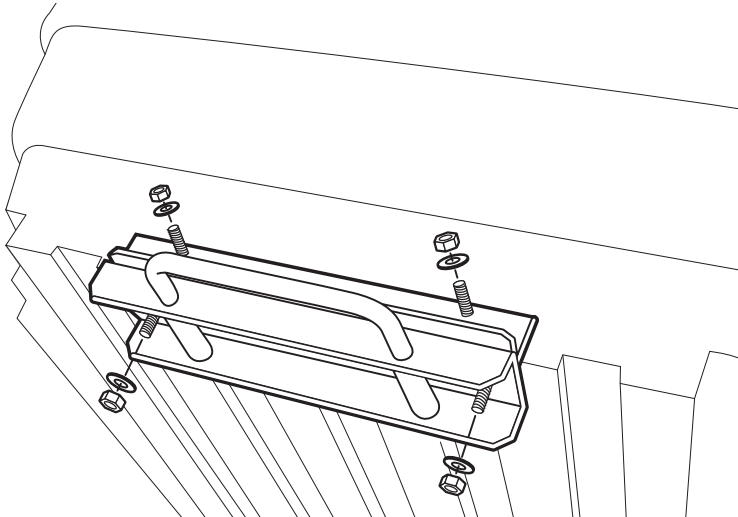
Attach the front axle assembly to the front frame using M8x40 Phillips flat head bolts (2), M8 lock nuts (2), and M8 washers (2).

Attach the front axle support arm to the frame using M8x20 hex head bolts (2), M8 lock nuts (2), and M8 washers (2).



### Step 3

Attach the lock assembly to the tray using M8x20 truss head bolts (4), M8 lock nuts (4), and M8 washers (4).



### Step 5

Attach the rear axle assembly to the tray using M8x20 truss head bolts (2), M8 lock nuts (2), and M8 washers (2).

