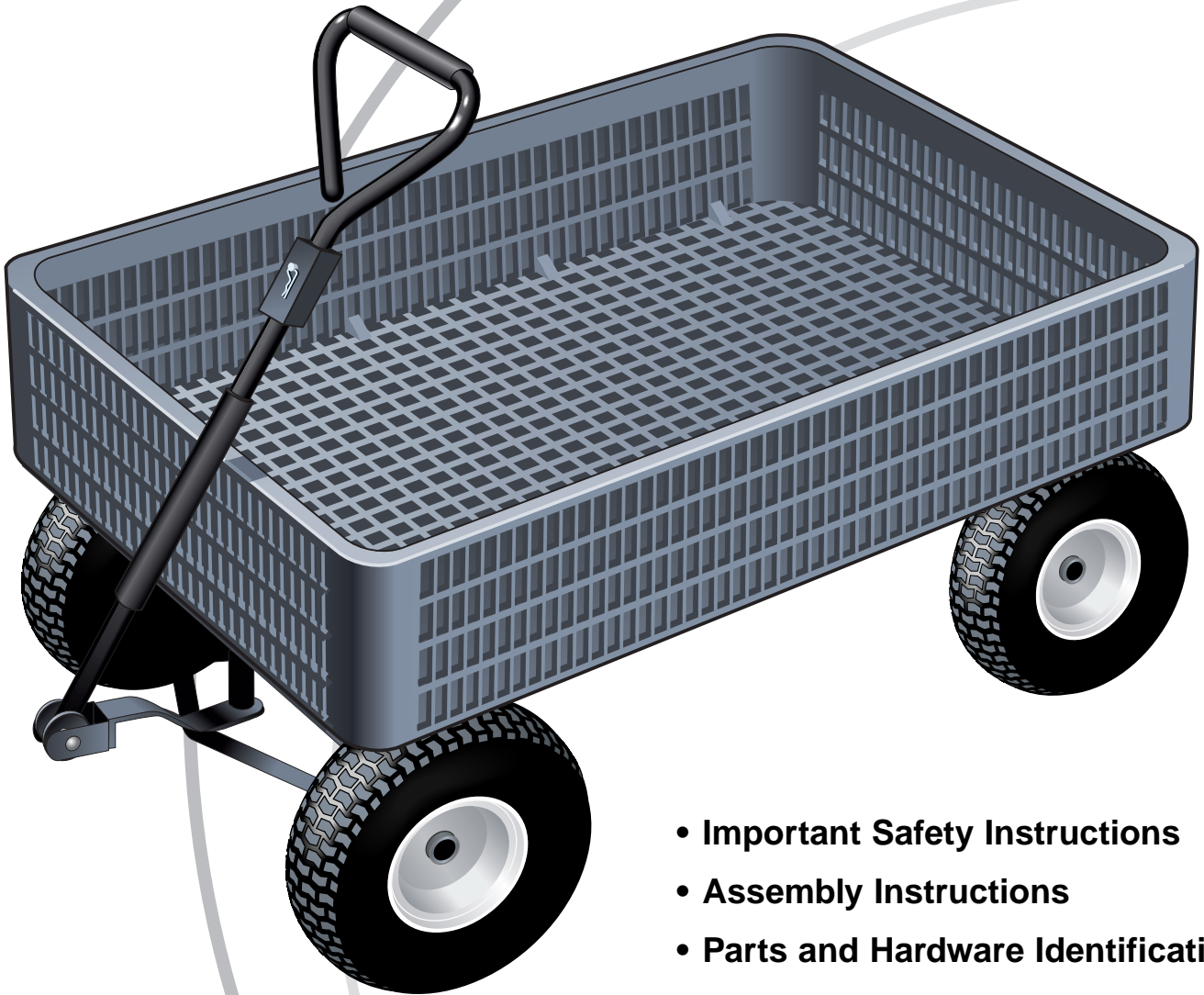




# OWNER'S MANUAL

Model MH1040



- Important Safety Instructions
- Assembly Instructions
- Parts and Hardware Identification

## ***Plastic Crate Cart***

### **CAUTION:**

Read, understand and follow ALL instructions before using this product

**RMM Corporation  
7677 Equitable Drive  
Minneapolis, MN 55344  
800-304-1316**

# IMPORTANT SAFETY INSTRUCTIONS

---

1. **READ ALL INSTRUCTIONS CAREFULLY BEFORE USE.** If you do not understand these instructions, need clarification or further explanation, please call our toll free answer line for assistance at **1-800-304-1316** Monday through Friday 8:00 a.m. until 5:00 p.m. CST.
2. Do not load Plastic Crate Cart with more than 1200 lbs. (544 kg)
3. Do not allow children to use the cart unsupervised. This Plastic Crate Cart is not a toy.
4. Always distribute payload evenly over surface of Crate.
5. If any parts become damaged, broken or misplaced do not use the Cart until replacement parts can be obtained.
6. Do not operate or use on objects that can cause damage to the pneumatic tires or tubes.  
**Do not inflate tires more than 30 psi.**
7. **SAVE THESE INSTRUCTIONS.**

## ASSEMBLY INSTRUCTIONS

---

Your Plastic Crate Cart requires assembly. Account for all parts and hardware before beginning assembly. If any parts are missing, damaged or if you have questions or need additional instructions **DO NOT RETURN THIS PRODUCT TO THE RETAILER**, call the manufacturer at **1-800-304-1316**.

Tools required for assembly: Medium size slot screwdriver, 6, 8, and 12mm open end wrench and /or two medium adjustable wrenches.

---

**Refer to the exploded drawing and the parts list on the following pages during assembly.**

- STEP 1** Turn the cart BED upside down. Use the cardboard from the carton to keep from scratching or damaging the finish.
- STEP 2** Assemble the REAR SUPPORT ASSEMBLY to the frame support using 4 - 6 X16mm Frame Support Bolts and 6mm nuts. Tighten all nuts securely.
- STEP 3** **The front support assembly is mostly pre-assembled at the factory. Please make sure all bolts and nuts assembled at the factory are tight.**
- A. Insert the two remaining shoulder bolts into each end of the Steering Link Connector. Apply 6mm washers and nuts.
  - B. Attach the completed Front Support Assembly to the Frame Support using 4 Frame Support Bolts, washers and nuts.
  - C. Secure the Center Front Axle Brace to the Frame Support using 8mm bolts, washers and nuts.
- STEP 4** Attach the frame support to the crate using the 8mm bolts, washers, and lock nuts.
- STEP 5** Install the WHEELS in the following order.
- A. Place the Wheel Spacer bushing onto the axle.
  - B. Place the Wheel onto the axle with the valve stem facing out.
  - C. Use the 12mm washer and then the 12mm Nut to secure the wheel. Tighten Securely.
- STEP 6** Turn the cart upright onto its wheels. Attach the Tractor Pull Handle Yoke Washers and the Plastic Coupling using the 8 x 60mm pull handle bolt, 8mm washer and nut.

# PARTS AND HARDWARE IDENTIFICATION

## MAIN FRAME PARTS

- 1 Bed - (1)
- 2 13" Wheels - (4)

## REAR SUPPORT ASSEMBLY

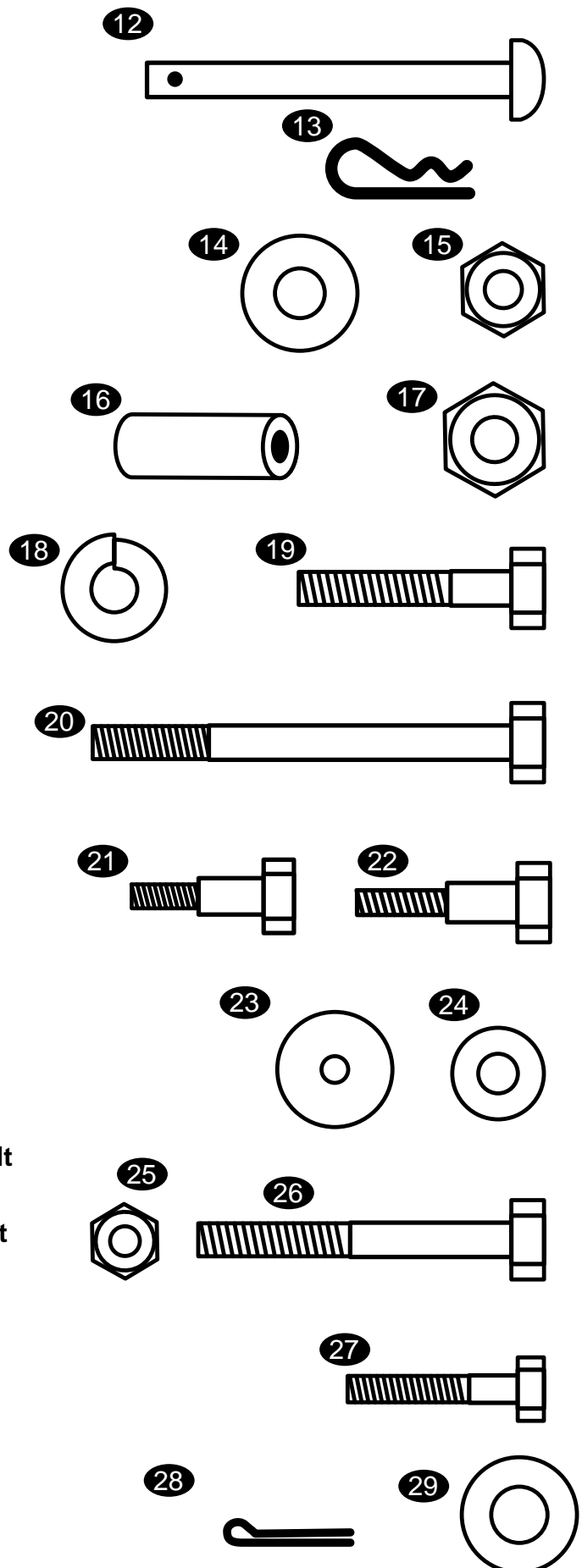
- 3 Rear Axle Support - (1)
- 4 Frame Support - (1)

## FRONT SUPPORT ASSEMBLY

- 5 Front Axle Support - (1)
- 6 Center Front Axle Brace - (1)
- 7 Yoke - (1)
- 8 Steering Link Connector - (1)
- 9 Plastic Coupling - (1)
- 10 Pull Handle - (1)
- 11 Tractor Pull Handle - (1)

## ASSEMBLY HARDWARE

- 12 Handle Clevis Pin - (1)
- 13 Clevis Pin - (1)
- 14 Washer 8mm - (1)
- 15 Nuts w/Lock Inserts 8mm - (9)
- 16 Wheel Spacer Bushings - (4)
- 17 Wheel Nuts 12mm - (4)
- 18 Wheel Lock Washers 12mm - (4)
- 19 Center Front Axle Brace Bolts 8 x 20mm - (2) use with #15
- 20 Pull Handle Bolt 8 x 60mm - (1) use with #14 & #15
- 21 Short Steering Assembly Shoulder Bolt 8 x 15mm - (3) use with #24 & #25
- 22 Long Steering Assembly Shoulder Bolt 8 x 17mm - (1) use with #24 & #25
- 23 Yoke & Cart Bed Washers 8 x 25mm OD- (8)
- 24 Washers 6mm - (4)
- 25 Nuts w/Lock Inserts 6mm - (12)
- 26 Cart Bed Bolts 8 x 45mm - (6)
- 27 Frame Support Bolts 6 x 16mm - (8)
- 28 Front Axle Cotter pin (1)
- 29 Front Axle Washer 10mm - (1)



# EXPLODED DRAWING FOR ASSEMBLY

