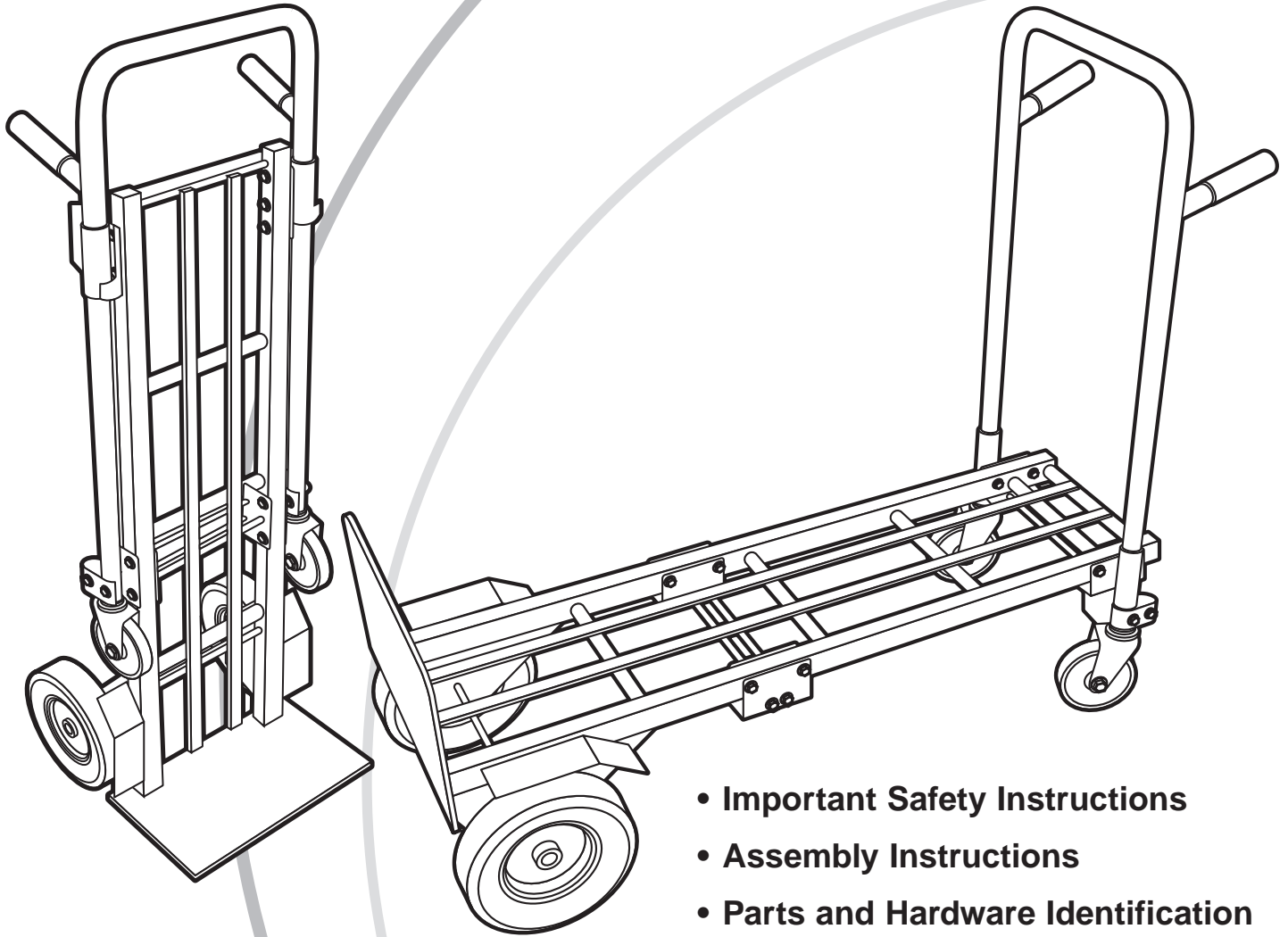




# OWNER'S MANUAL

Model MH1600



- Important Safety Instructions
- Assembly Instructions
- Parts and Hardware Identification

## ***2-Position Hand Truck***

### **CAUTION:**

Read, understand and follow ALL instructions before using this product

Tricam International  
7677 Equitable Drive  
Minneapolis, MN 55344  
800-304-1316

# IMPORTANT SAFETY INSTRUCTIONS

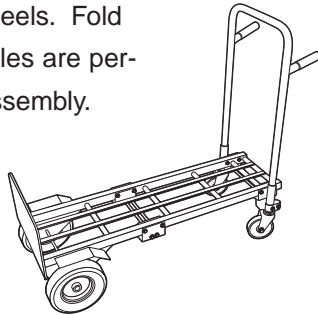
1. **READ ALL INSTRUCTIONS CAREFULLY BEFORE USE.** If you do not understand these instructions, need clarification or further explanation, please call our toll free answer line for assistance at **1-800-304-1316** Monday through Friday 8:00 a.m. until 5:00 p.m. CST.
2. Do not load hand truck with more than 800 lbs. (363 kg) in horizontal position and 700 lbs. (318 kg) in vertical.
3. Do not allow children to use the hand truck unsupervised. This 2- position hand truck is not a toy.
4. Always distribute payload evenly over surface of toe plate or back if used in 4 wheel position.
5. If any parts become damaged, broken or misplaced do not use the hand truck until replacement parts can be obtained.
6. **SAVE THESE INSTRUCTIONS.**

## OPERATION INSTRUCTIONS

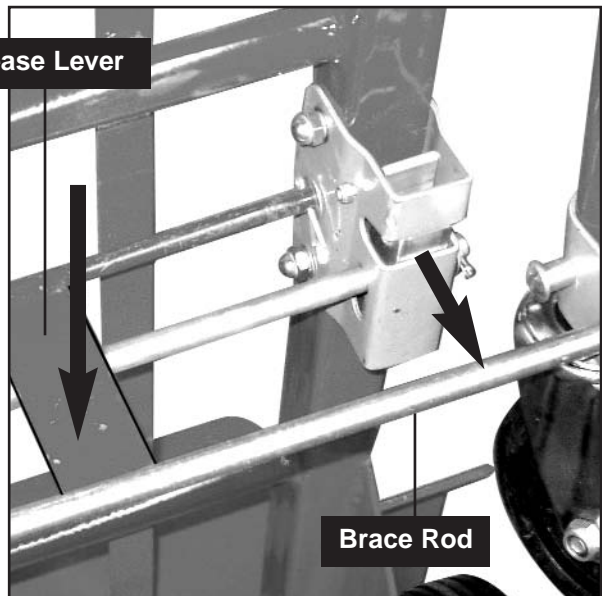
Refer to the exploded drawing and the parts list on the following pages during assembly.

### To switch the item to its 4-wheeled, horizontal position

Press the release lever to unlock the brace rod and the rear wheels. Fold down the unit so the handles are perpendicular to the frame assembly.



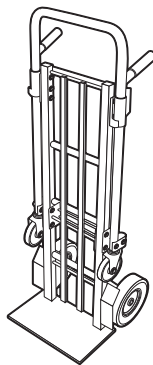
Release Lever



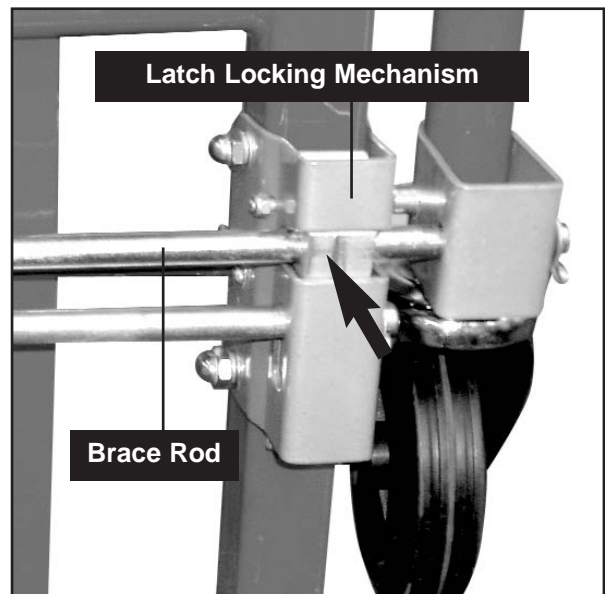
Brace Rod

### To switch the unit back to its 2-wheeled dolly position

Simply lift the unit to its upright position making sure the brace rod is engaged in the latch frame locking mechanism.



Latch Locking Mechanism

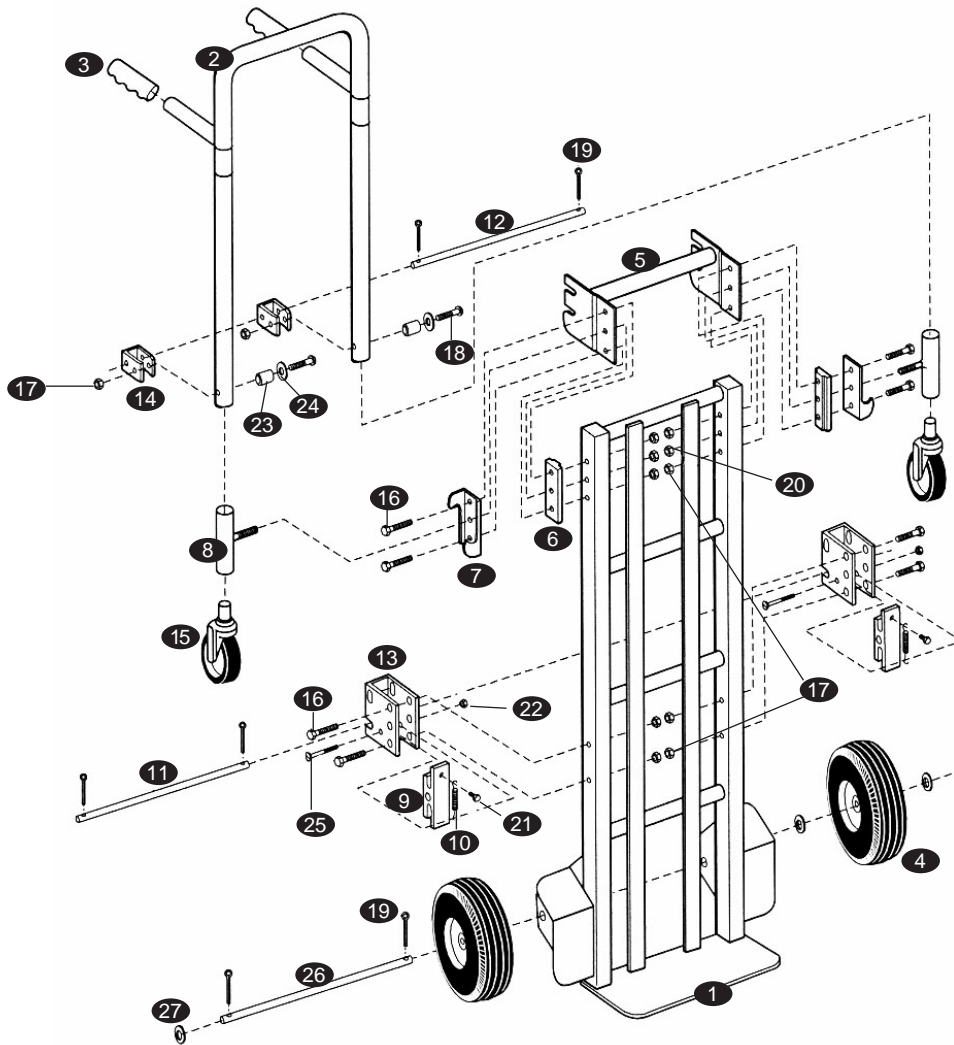


Brace Rod

**CAUTION**

Do not exceed the maximum load capacity of 800 lbs. in horizontal position and 700 lbs. in vertical position. For maximum stability, make sure load on hand truck is evenly distributed.

# PARTS AND HARDWARE IDENTIFICATION



## MAIN FRAME PARTS

Quantity

## MAIN FRAME PARTS

Quantity

1	Frame assembly	(1)	16	5/16-18" x 2 1/2" Hex head bolt	(8)
2	Handle frame	(1)	17	5/16-18" Hex lock nut	(10)
3	Handle grip	(2)	18	5/16-18" x 2 1/2" Carriage head bolt	(2)
4	10" Solid rubber wheel	(2)	19	1 1/4" Cotter pin	(10)
5	Lock plate assembly	(1)	20	3/8-16" Hex lock nut	(2)
6	4 1/2" Spacer bar	(2)	21	10-24 x 12" Truss head bolt	(2)
7	Lock mounting bracket	(2)	22	3/8" x 1/4" Hex lock nut	(4)
8	Pivot hinge bracket	(2)	23	Spacer	(2)
9	Slide Latch	(2)	24	3/8" I.D. washer	(2)
10	2 1/2" Tension spring	(2)	25	10-24 x 1 1/4" Flathead bolt	(2)
11	14 1/2" Lift rod	(1)	26	19 1/2" Axle rod	(1)
12	19 1/2" Brace rod	(1)	27	5/8" Washer	(4)
13	Latch frame	(2)			
14	Wheel/lock bracket	(2)			
15	5" Swivel wheel	(2)			