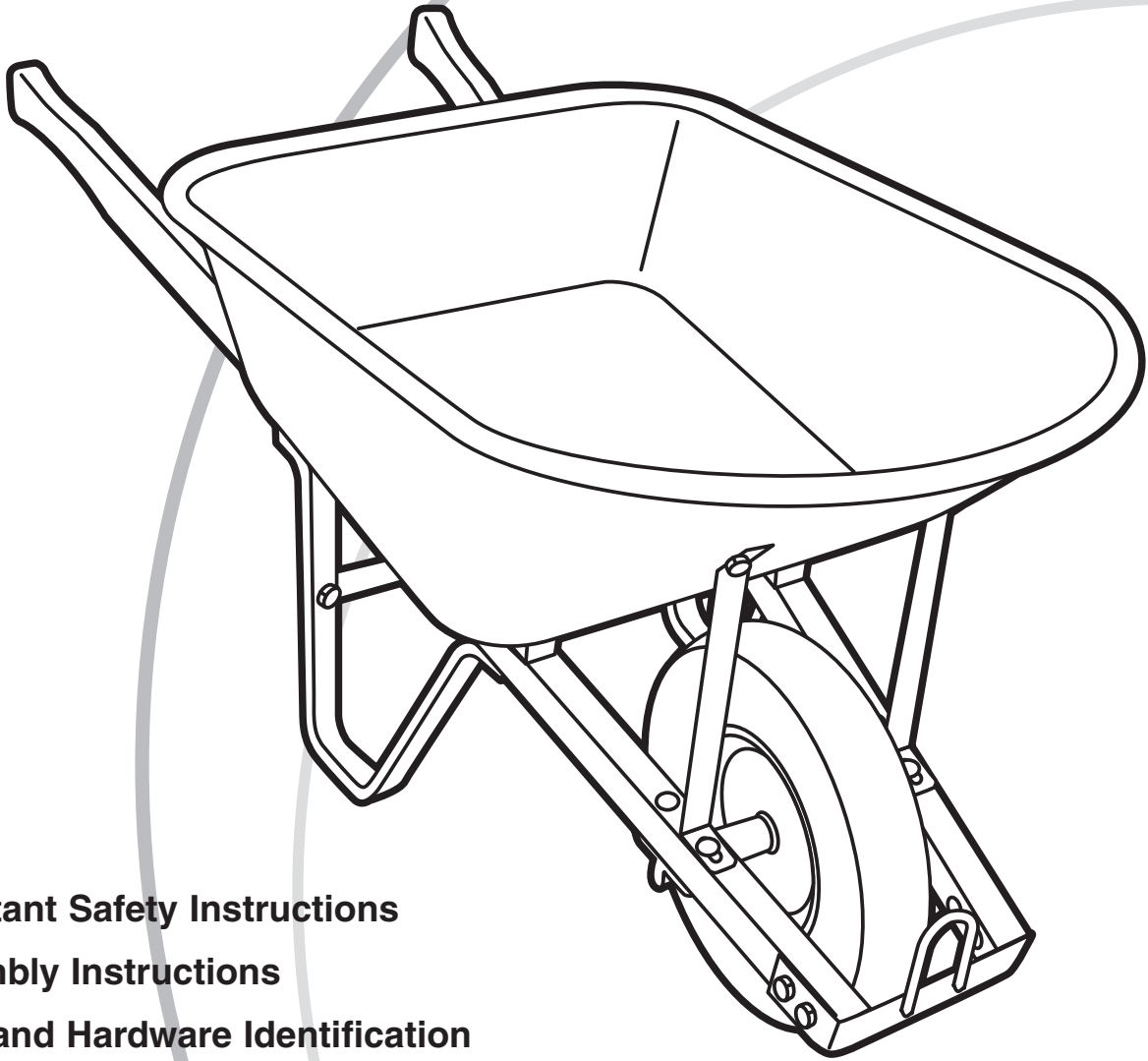




# OWNER'S MANUAL

Model MH1620



- Important Safety Instructions
- Assembly Instructions
- Parts and Hardware Identification

7 Cubic Foot

# *Wheelbarrow*

### **CAUTION:**

Read, understand and follow ALL instructions before using this product

Tricam International  
7677 Equitable Drive  
Eden Prairie, MN 55344  
800-304-1316

# IMPORTANT SAFETY INSTRUCTIONS

1. Read and understand all warning and instructions prior to using the wheelbarrow.
2. Always inspect the wheelbarrow for damage or excess wear prior to each use.
3. Never transport people using this wheelbarrow.

## ASSEMBLY INSTRUCTIONS

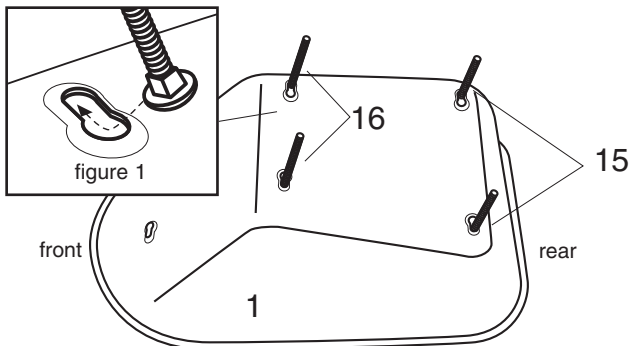
Your Wheelbarrow requires assembly. Account for all parts and hardware before beginning assembly. If any parts are missing, damaged or if you have questions or need additional instructions **DO NOT RETURN THIS PRODUCT TO THE RETAILER**, call the manufacturer at **1-800-304-1316**.

Refer to the parts list on the following pages during assembly.

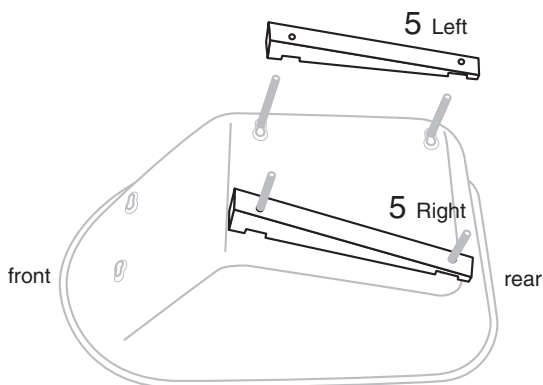
# Do not tighten nuts until you have completed assembly of all parts!

**STEP 1** Place tray upside-down to access the bolt mounting slots.

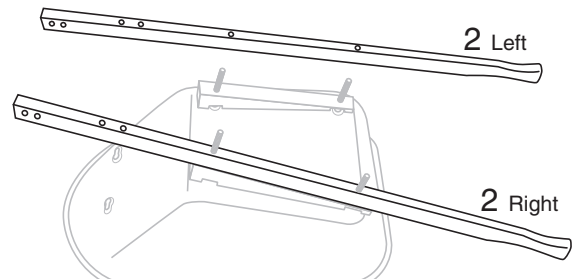
**STEP 2** Insert M8X135mm carriage bolts into tray slots in the middle of the tray and M8X95mm carriage bolts into the two tray slots at the rear of the tray.



**STEP 3** Install left and right wood spacers by positioning the spacers with the notches down. The thickest end of the spacer should be positioned towards the front of the tray.

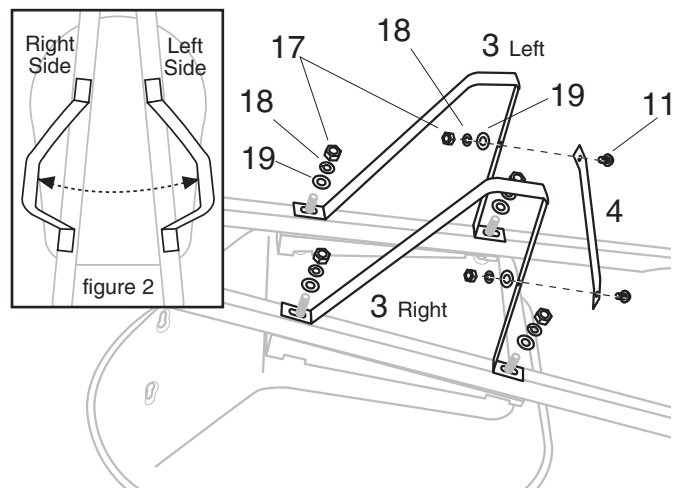


**STEP 4** Install left and right handles. Make sure that the left and right identification marks are on the proper sides.

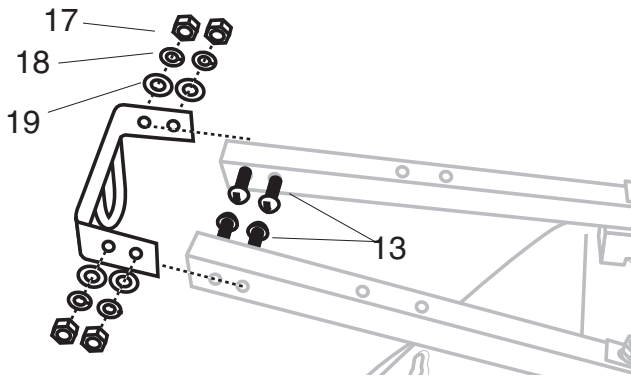


**STEP 5** Install leg assembly. Make sure that the left and right identification marks are on the proper sides. Place a flat washer and lock washer on each bolt; retain the installed hardware by hand tightening a nut on each bolt. See figure 2 for correct leg positioning.

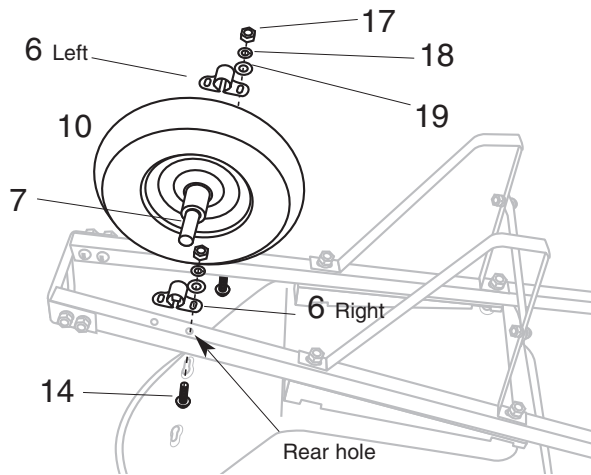
**STEP 6** Install leg brace with M8x20mm slotted bolts, flat washer, lock washer and nut at each end of the brace.



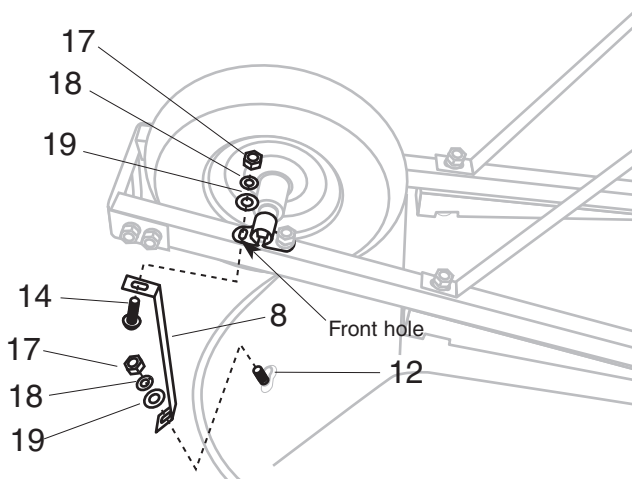
**STEP 7** Install nose guard with M8x50mm bolts. Insert the screws from the inside of the handles so the washers and nuts are outside the handles.



**STEP 8** Insert the axle through the wheel. Attach left and right axle mounts on each end of the axle. Position assembly over mounting holes in the handles and install M8x90mm bolts in the rear hole and apply washers and nuts. Hand tighten.



**STEP 9** Install tray braces with M8x90mm bolts. Pass bolts through tray brace, front holes of the handles and axle mounts. Apply washers and hand-tighten nuts. Insert M8x20mm carriage bolts into the front T-slots on the tray. Place the end of each brace onto the tray bolts, apply washers and hand-tighten nuts.



## PARTS & HARDWARE IDENTIFICATION

### PARTS LIST

- 1 Tray- (1)
- 2 Wood Handles- (2)
- 3 Legs - (2)
- 4 Leg Brace - (1)
- 5 Notched Wood Spacers - (2)
- 6 Axle Mounts - (2)
- 7 Axle- (1)
- 8 Tray Braces - (2)
- 9 Nose Guard - (1)
- 10 Tire- (1)
- 11 M8 x 20 Slotted Bolts - (2)  
for leg brace
- 12 M8 x 20 Carriage Bolts - (2)  
for tray braces
- 13 M8 x 50 Carriage Bolts - (4)  
For nose guard
- 14 M8 x 90 Carriage Bolts - (4)  
for axle mounts
- 15 M8 x 95 Carriage Bolts - (2)  
for rear of tray
- 16 M8 x 135 Carriage Bolts - (2)  
for middle of tray
- 17 Hex Nuts - (16)
- 18 Lock Washers - (16)
- 19 Flat Washers - (16)

**STEP 10** Tighten all nuts securely with wrench.