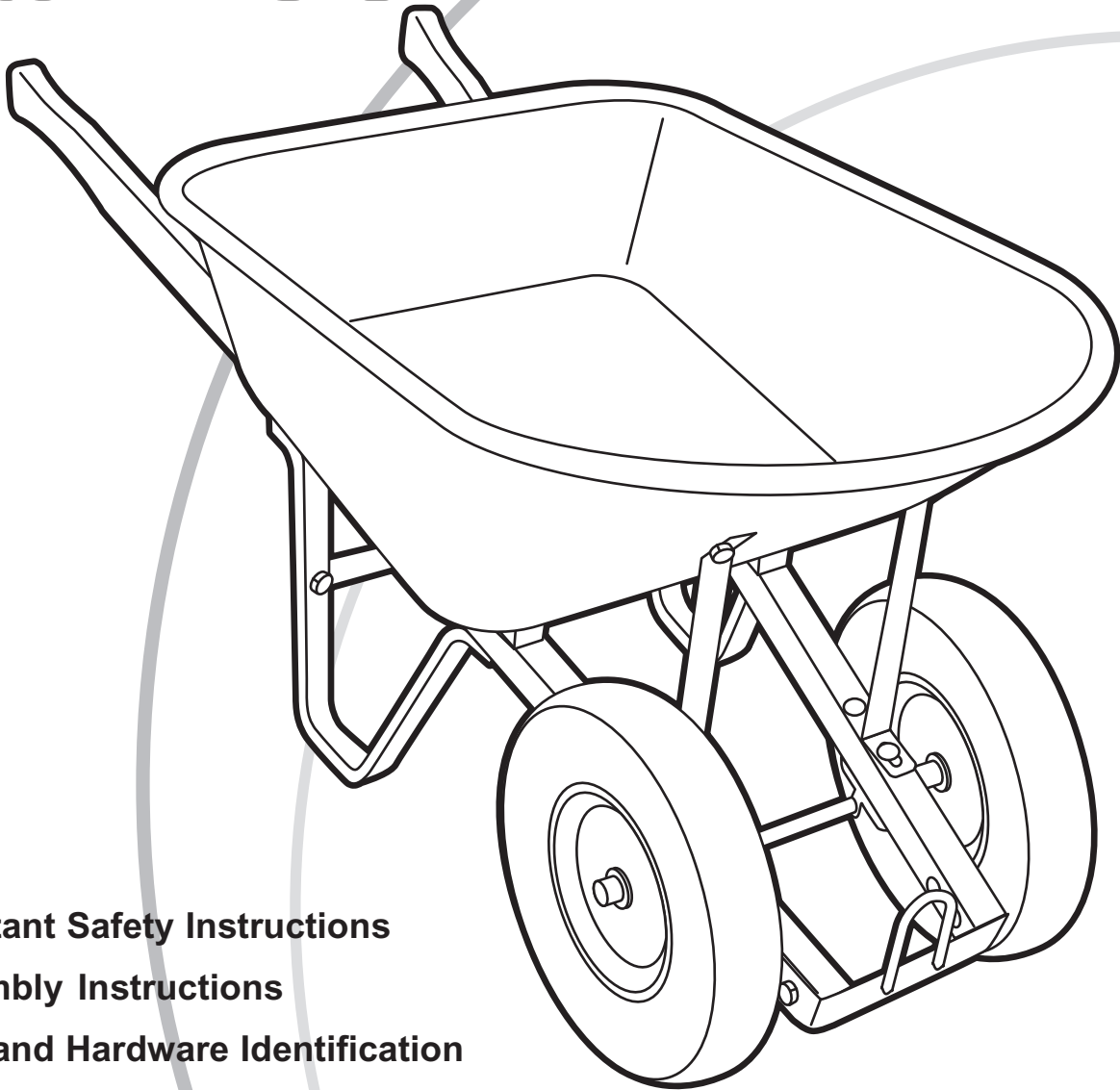




# OWNER'S MANUAL

Model MH1640



- Important Safety Instructions
- Assembly Instructions
- Parts and Hardware Identification

9 Cubic Foot

# ***Wheelbarrow***

## **CAUTION:**

Read, understand and follow ALL instructions before using this product

**Tricam International**  
7677 Equitable Drive  
Eden Prairie, MN 55344  
800-304-1316

# IMPORTANT SAFETY INSTRUCTIONS

1. Read and understand all warning and instructions prior to using the wheelbarrow.
2. Always inspect the wheelbarrow for damage or excess wear prior to each use.
3. Never transport people using this wheelbarrow.

## ASSEMBLY INSTRUCTIONS

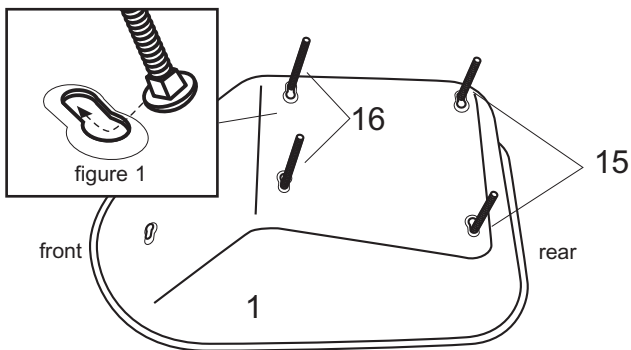
Your Wheelbarrow requires assembly. Account for all parts and hardware before beginning assembly. If any parts are missing, damaged or if you have questions or need additional instructions, **DO NOT RETURN THIS PRODUCT TO THE RETAILER**, call the manufacturer at **1-800-304-1316**.

Refer to the parts list on the following pages during assembly.

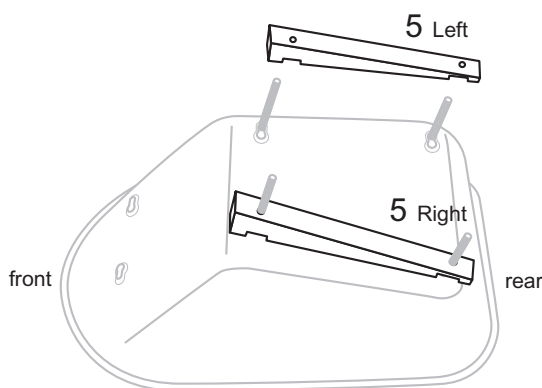
# Do not tighten nuts until you have completed assembly of all parts!

**STEP 1** Place tray upside-down to access the bolt mounting slots.

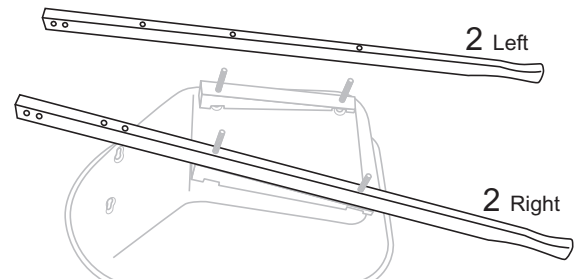
**STEP 2** Insert M8x150mm carriage bolts into tray slots in the middle of the tray and M8x100mm carriage bolts into the two tray slots at the rear of the tray.



**STEP 3** Install left and right wood spacers by positioning the spacers with the notches down. The thickest end of the spacer should be positioned towards the front of the tray.

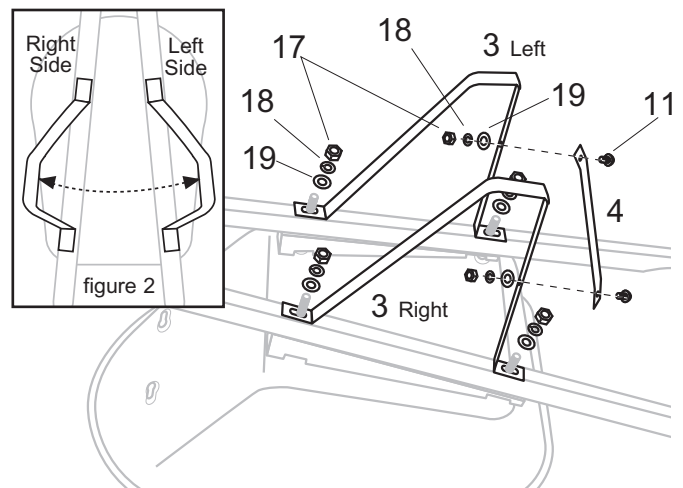


**STEP 4** Install left and right handles. Make sure that the left and right identification marks are on the proper sides.

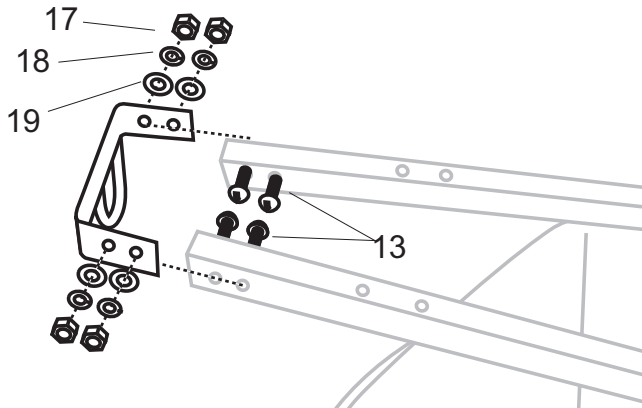


**STEP 5** Install left and right legs. Place a flat washer and lock washer on each bolt; retain the installed hardware by hand tightening a nut on each bolt.

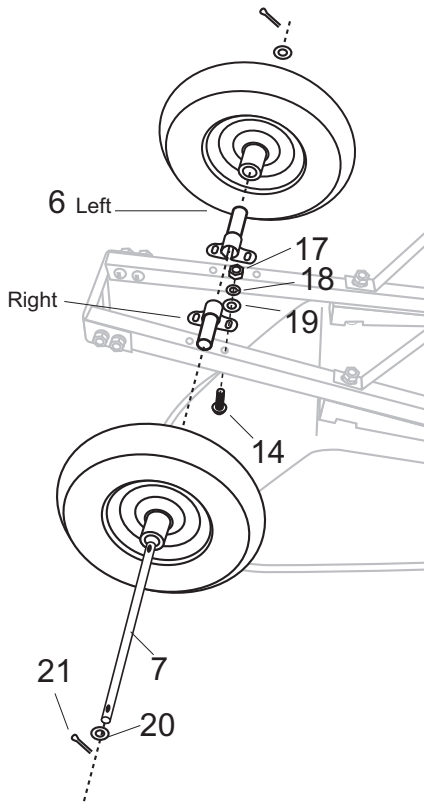
**STEP 6** Install leg brace with M8x20mm machine screw, flat washer, lock washer and nut at each end of the brace.



**STEP 7** Install nose guard with M8x50mm machine screws. Insert the screws from the inside of the handles so the washers and nuts are outside the handles.

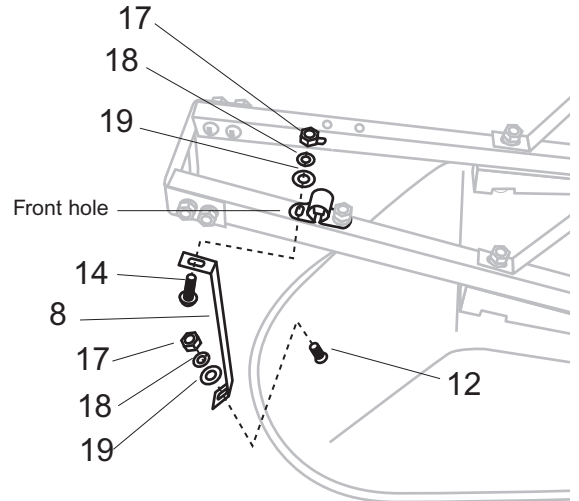


**STEP 8** Insert the axle through the axle mounts, one on each end of the axle. Position assembly over mounting holes in the handles and install M8x80mm machine screws. Slide wheel washer over each end of the axle. Slide one wheel over each end of the axle. Slide one wheel washer over each end of the axle and secure with cotter pin.



**STEP 9** Install tray braces with remaining M8x80mm machine screws. Pass screws through handle, apply washers and hand-tighten nuts.

Install M8x20mm carriage bolts into the front T-slots of the tray. Install right and left tray brace ends onto the tray bolts. Apply washers and hand-tighten nuts.



**STEP 10** Tighten all nuts securely with wrench.

# **PARTS & HARDWARE IDENTIFICATION**

---

## **PARTS LIST**

- 1 **Tray - (1)**
- 2 **Wood Handles - (2)**
- 3 **Legs - (2)**
- 4 **Leg Brace - (1)**
- 5 **Notched Wood Spacers - (2)**
- 6 **Axle Mounts - (2)**
- 7 **Axle - (1)**
- 8 **Tray Braces - (2)**
- 9 **Nose Guard - (1)**
- 10 **Tire - (1)**
- 11 **M8x20mm Slotted Bolts - (2)**  
for leg brace
- 12 **M8x20mm Carriage Bolts - (2)**  
for tray braces
- 13 **M8x50mm Carriage Bolts - (4)**  
for nose guard
- 14 **M8x80mm Carriage Bolts - (4)**  
for axle mounts
- 15 **M8x100mm Carriage Bolts - (2)**  
for rear of tray
- 16 **M8x150mm Carriage Bolts - (2)**  
for middle of tray
- 17 **Hex Nuts - (16)**
- 18 **Lock Washers - (16)**
- 19 **Flat Washers - (16)**
- 20 **Wheel Washers - (4)**
- 21 **Cotter Pin - (2)**