



OWNER'S MANUAL

Model MH2000

- **Important Safety Instructions**
- **Assembly Instructions**
- **Parts and Hardware Identification**



Tricam International
7677 Equitable Drive
Minneapolis, MN 55344
www.black-cat-products.com
800-304-1316

Extreme 3-Tier Trolley

CAUTION:

Read, understand and follow ALL instructions before using this product

IMPORTANT SAFETY INSTRUCTIONS

1. **READ ALL INSTRUCTIONS CAREFULLY BEFORE USE.** If you do not understand these instructions, need clarification or further explanation, please call our toll free answer line for assistance at **1-800-304-1316** Monday through Friday 8:00 a.m. until 5:00 p.m. CST.
2. Do not load 3-Tier Trolley with more than 250 lbs.
3. Do not allow children to use unsupervised. This 3-Tier Trolley is not a toy.
4. Always distribute payload evenly.
5. If any parts become damaged, broken or misplaced, do not use the 3-Tier Trolley until replacement parts can be obtained.
6. Do not operate or use on objects that can cause damage to the casters.
7. **SAVE THESE INSTRUCTIONS.**

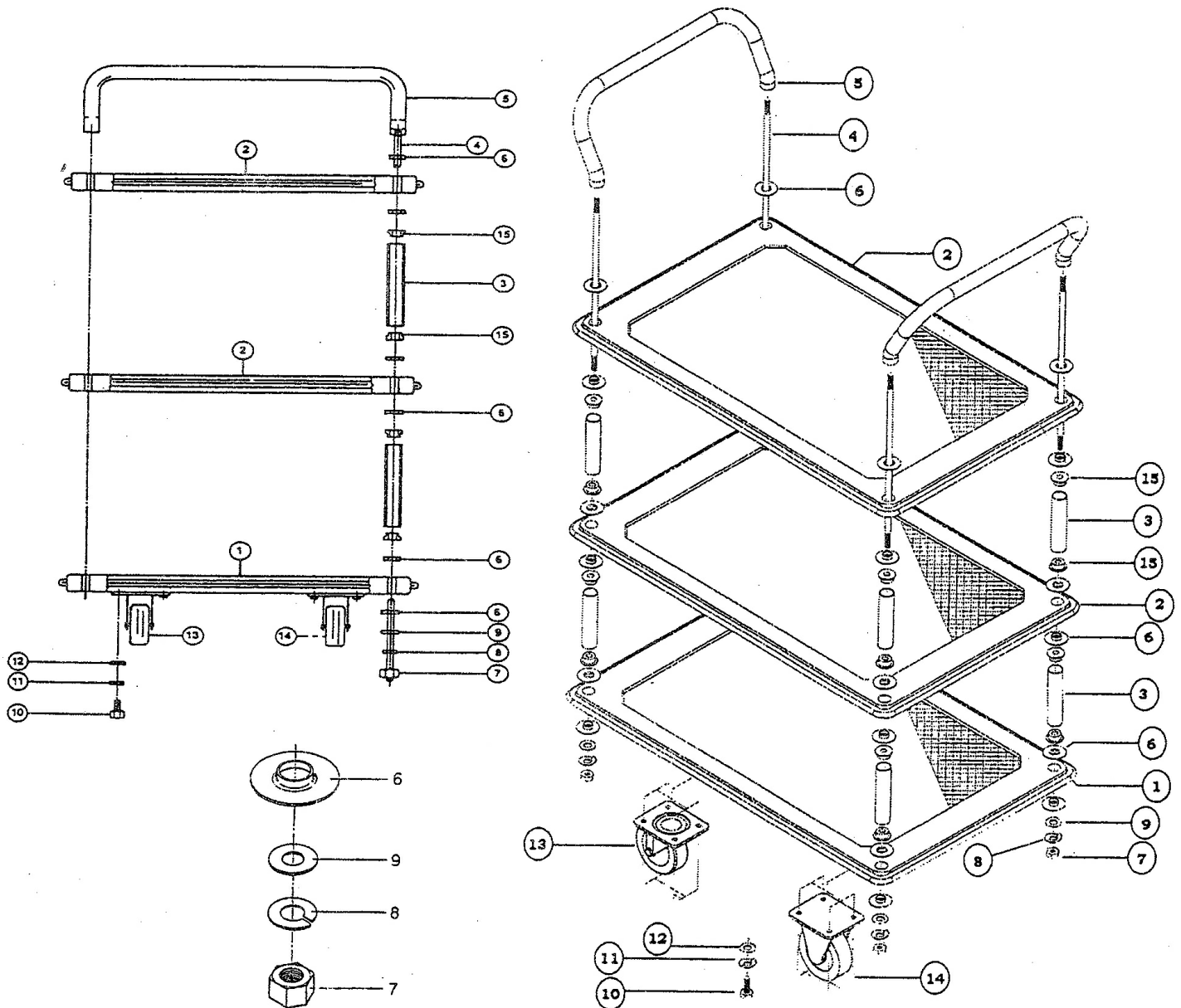
ASSEMBLY

Your 3-Tier Trolley requires assembly. Account for all parts and hardware before beginning assembly. If any parts are missing, damaged, or if you have questions or need additional instructions, **DO NOT RETURN THIS PRODUCT TO THE RETAILER**, call the manufacturer at **1-800-304-1316**.

Tools required for assembly: 12 mm wrench or 12 mm socket driver

Refer to the exploded drawing and the parts list below.

PARTS AND HARDWARE IDENTIFICATION



NO.	DESCRIPTION	QTY	NO.	DESCRIPTION	QTY	NO.	DESCRIPTION	QTY
1	BASE PLATFORM	1	6	WASHER SUPPORT	24	11	LOCK WASHER	16
2	PLATFORM	2	7	NUT	4	12	WASHER	16
3	TUBE	8	8	LOCK WASHER	4	13	SWIVEL CASTER	2
4	ROD	4	9	WASHER	4	14	FIXED CASTER	2
5	HANDLE	2	10	BOLT	16	15	PLASTIC SPACER	16