



# OWNER'S MANUAL

Model MH2020



- Warning: Not for recreational use - persons should never ride in cart
- Warning: Do not tow cart in excess of 15 mph - never tow behind car or truck
- Warning: Not for high speed or highway use

# Extreme Flatbed Cart

## **CAUTION:**

Read, understand and follow ALL instructions before using this product

Tricam International  
7677 Equitable Drive  
Minneapolis, MN 55344  
[www.black-cat-products.com](http://www.black-cat-products.com)  
800-304-1316

REV 4/21/04

# IMPORTANT SAFETY INSTRUCTIONS

1. **READ ALL INSTRUCTIONS CAREFULLY BEFORE USE.** If you do not understand these instructions, need clarification or further explanation, please call our toll free answer line for assistance at **1-800-304-1316** Monday through Friday 8:00 a.m. until 5:00 p.m. CST.
2. Do not load cart with more than 2000 lbs. (908 kg)
3. Do not allow children to use the cart. This cart is not a toy.
4. Always distribute payload evenly over surface of bed.
5. If any parts become damaged, broken or misplaced, do not use the cart until replacement parts can be obtained.
6. Do not operate or use on objects that can cause damage to the pneumatic tires or tubes.  
**Do not inflate tires more than 35 psi.**
7. **SAVE THESE INSTRUCTIONS.**

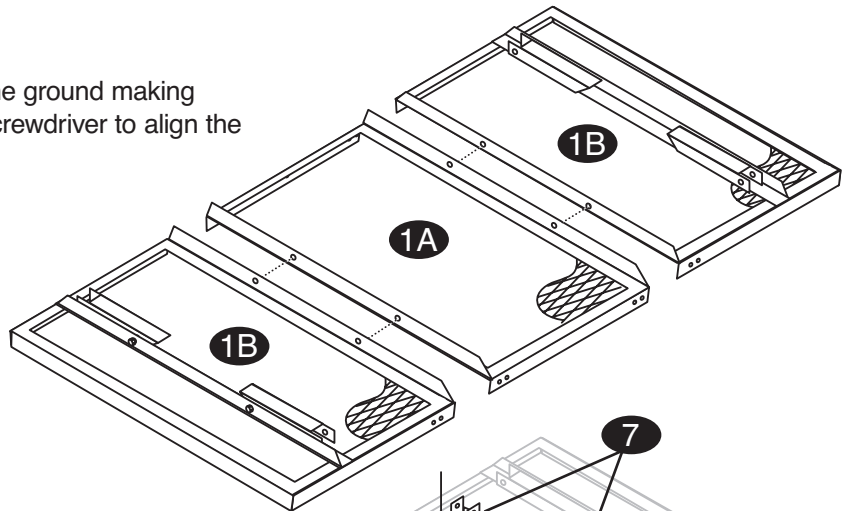
## ASSEMBLY INSTRUCTIONS

Your Extreme Flatbed Cart requires assembly. Account for all parts and hardware before beginning assembly. If any parts are missing, damaged or if you have questions or need additional instructions **DO NOT RETURN THIS PRODUCT TO THE RETAILER**, call the manufacturer at **1-800-304-1316**.

**Tools required for assembly: Metric Socket Set, Wrenches and pliers.**

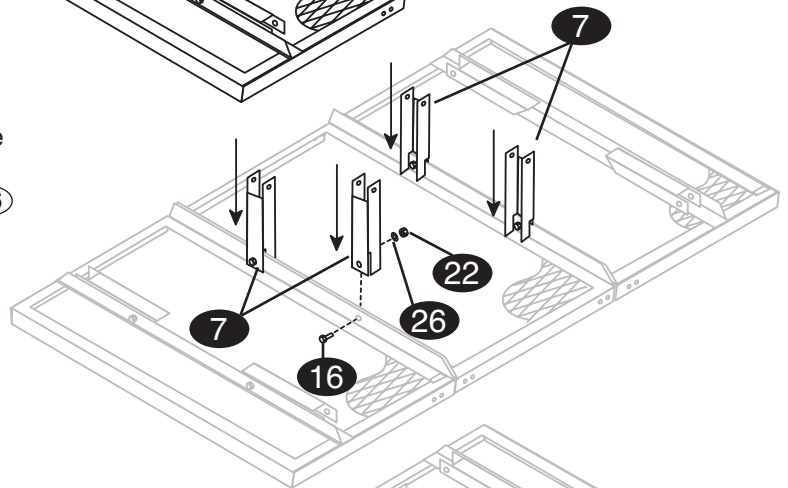
### STEP 1

Lay the base panels (1A) & (1B) upside down on the ground making sure the holes are aligned. It is helpful to use a screwdriver to align the holes properly.



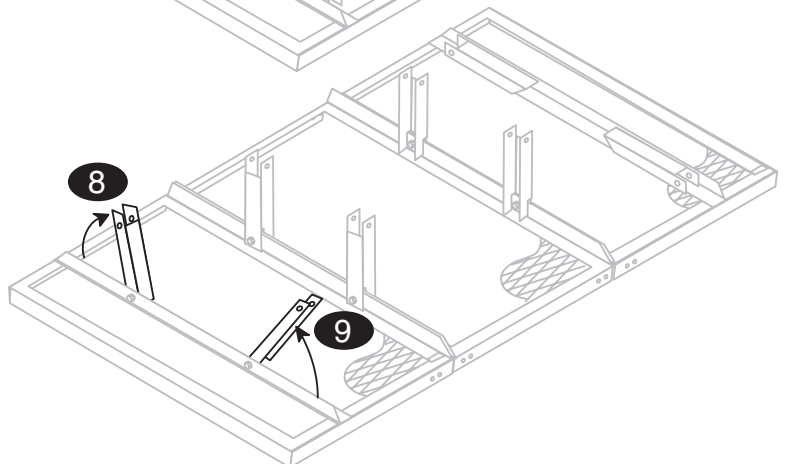
### STEP 2

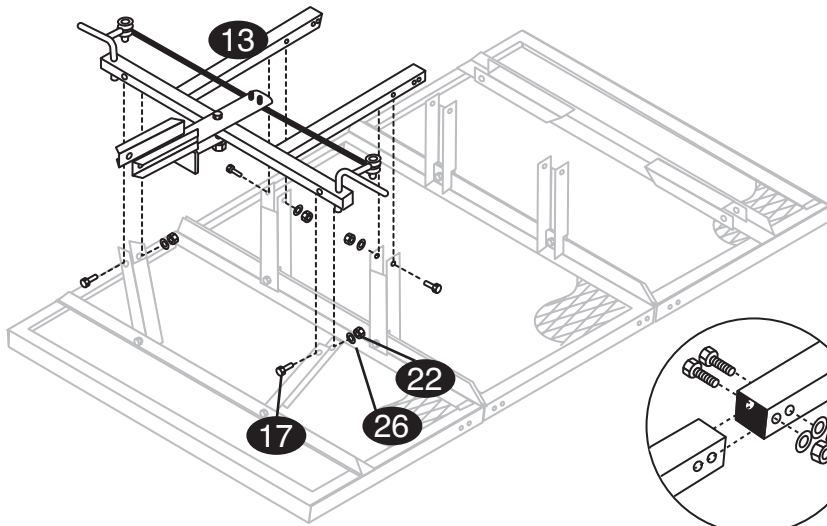
Note the hole location of the four straight support brackets (7) that are wrapped to the frame. Remove these brackets from the frame and assemble to the panels using four 10 x 35mm bolts (16), washers (26) and lock nuts (22). These four brackets will connect the three base panels together. Make sure to only finger tighten the lock nuts. (See Diagram)



### STEP 3

The angled support brackets (8) & (9) have been bolted to the base panels (1B) at the factory. Pivot two of these brackets so they are at about a 75-degree angle pointing towards the outside edge of the base panels. (See Diagram)



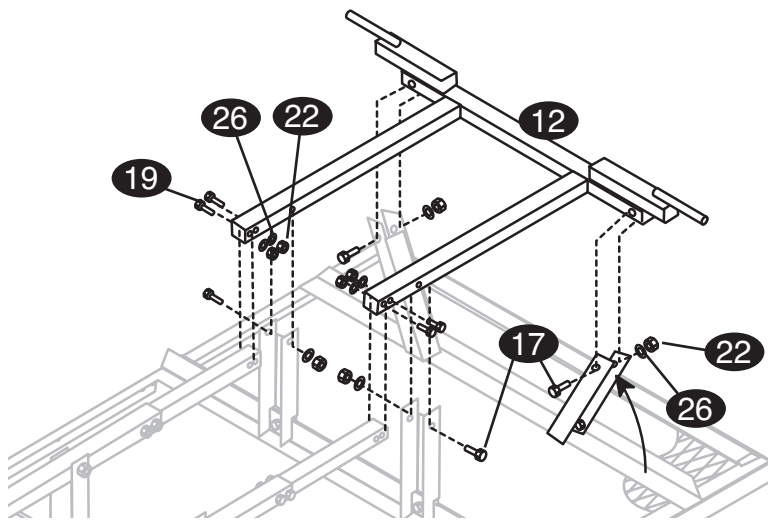
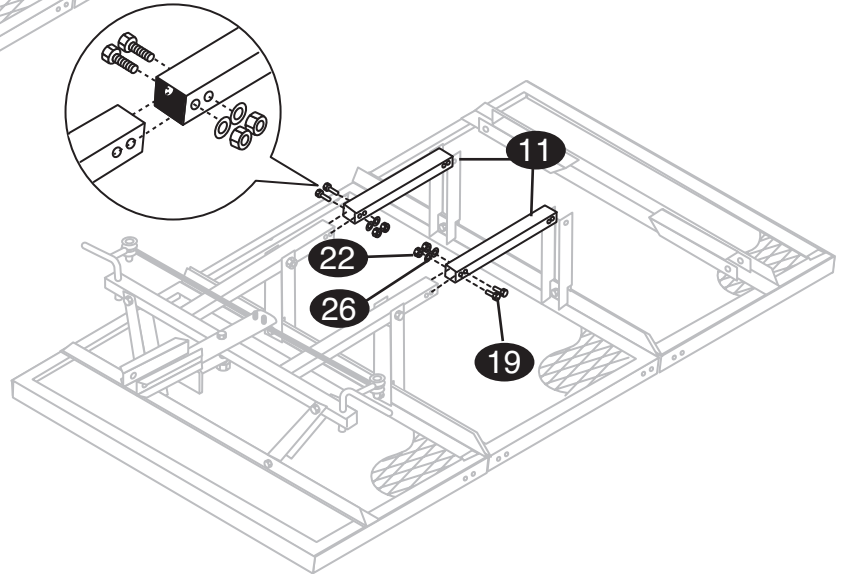


#### STEP 4

To install the front axle assembly (13) to the base panels, place the entire front axle assembly on top of the two angled support brackets that have been pivoted and two of the straight support brackets. Install four 10 x 60mm bolts (17), washers (26), and lock nuts (22). The tie rods on the axle should be on the side that will be closest to the ground when upright.

#### STEP 5

Insert frame tube connectors (11) into front axle frame and secure with four 10 x 50mm bolts (19), washers (26), and lock nuts (22). (See Diagram)



#### STEP 6

Insert the rear axle assembly (12) onto the frame tube connectors. Make sure the assembly is resting properly into the two remaining straight support brackets. Insert two 10 x 60mm bolts (17) thru straight support brackets and add washers (26), and lock nuts (22). Install the last four 10 x 50mm bolts (19), washers (26), and lock nuts (22) to fasten the rear axle assembly to the frame tube connectors. Pivot the angled support brackets from the rear base panel so they align properly to fit the rear axle assembly. Insert two 10 x 60mm bolts (17), washers (26), and lock nuts (22). Finger tighten only.

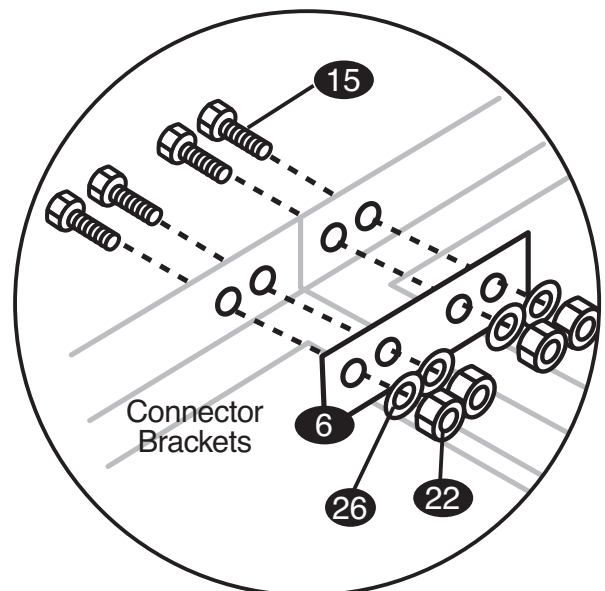
To make the next steps less difficult, it is recommended that the unit be turned over.

#### STEP 7

Assemble the four connector brackets (6) to the base panels using the sixteen 10 x 20mm bolts (15), washers (26), and lock nuts (22). Use a screwdriver if necessary to align holes properly.

#### STEP 8

Prior to attaching the wheels and the handle, firmly tighten all bolts and lock nuts from prior steps.



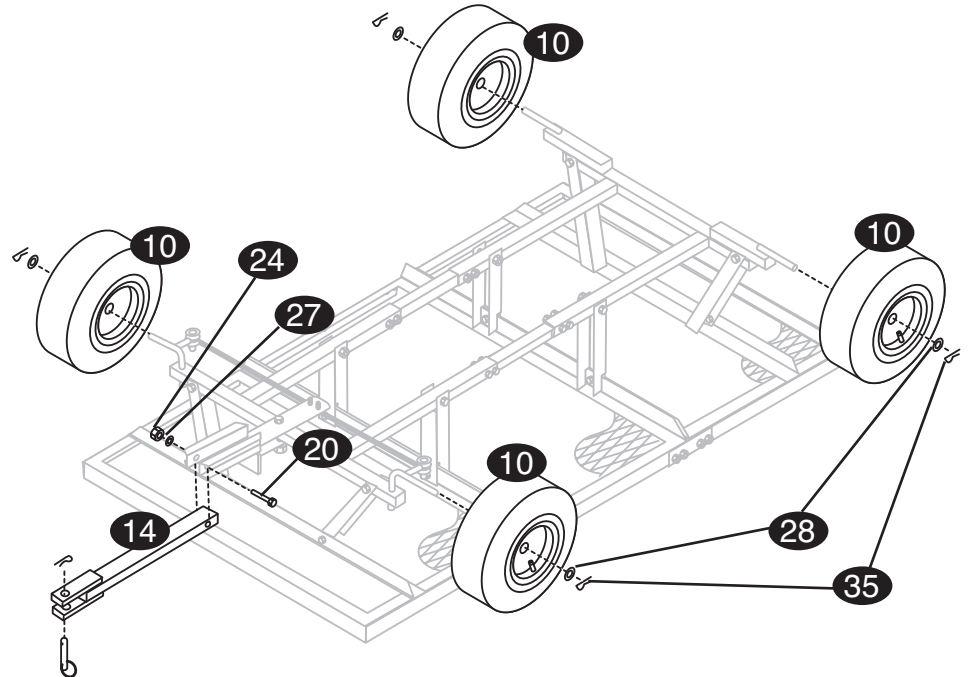
To make the next steps less difficult, it is again recommended that the unit be turned over.

### STEP 9

Slide the four wheels (10) onto each axle. Place a 20mm washer (28) on the outside of each tire and slide a large cotter pin (33) into the hole in the axle. Be sure to bend one side of the cotter pin for a secure attachment.

### STEP 10

Install the tractor pull handle (14) into the front part of the yoke using the 12 x 60mm bolt (20), washer (27), and lock nut (24). The bolt should be tight, but the handle should be able to move up and down freely.



## PARTS AND HARDWARE IDENTIFICATION

### MAIN FRAME PARTS

- 1A Base Panel (Center) – (1)
- 1B Base Panel (Front & Back) – (2)
- 6 Connector Brackets – (4)
- 7 Straight Support Brackets(Center) – (4)
- 8 Angled Support Brackets (Right) – (2)
- 9 Angled Support Brackets (Left) – (2)
- 10 16" Pneumatic Tires W/Rims – (4)

### LOWER FRAME ASSEMBLY

- 11 Frame Tube Connectors – (2)
- 12 Rear Axle Assembly – (1)
- 13 Front Axle Assembly – (1)

### HANDLE ASSEMBLY

- 14 Tractor Pull Handle – (1)

### ASSEMBLY HARDWARE

- 15 Bolts 10 x 20mm – (20) 16 for connector brackets, 4 pre-assembled to angled support brackets
- 16 Bolts 10 x 35mm – (4) for straight support brackets
- 17 Bolts 10 x 60mm – (8) for straight and angled support brackets
- 19 Bolts 10 x 50mm – (8) for installing tube connectors to front and rear axle frame
- 20 Bolts 12 x 60mm – (1) for installing pull handle
- 21 Bolts 12 x 80mm – (1) pre-assembled to front axle assembly
- 22 Lock Nuts 10mm – (40)
- 24 Lock Nuts 12mm – (2) 1 for installing tractor pull handle. 1 pre-assembled to front axle assembly
- 26 Washers 10mm – (40)
- 27 Washers 12mm – (2) 1 for installing pull handle, 1 pre-assembled to front axle assembly
- 28 Washers 20mm – (6) 4 used on wheels, 2 pre-assembled to front axles
- 32 Small Cotter Pins – (2) pre-assembled on front axle assembly
- 33 Large Cotter Pins – (6) 4 for retaining wheels, 2 pre-assembled to front axle assembly
- 34 Small Clevis Pins – (2) pre-assembled on front axle assembly
- 35 Large Clevis Pin – (1) pre-assembled on tractor pull handle
- 36 Clevis Clip – (1) pre-assembled on tractor pull handle

# EXPLODED DRAWING FOR ASSEMBLY

