



OWNER'S MANUAL

Model MH2035



- Important Safety Instructions
- Assembly Instructions
- Parts and Hardware Identification

Extreme Oversized All-Terrain Cart

CAUTION:

Read, understand and follow ALL instructions before using this product

Tricam International
7677 Equitable Drive
Minneapolis, MN 55344
www.black-cat-products.com
800-304-1316

REV 4/21/04

IMPORTANT SAFETY INSTRUCTIONS

1. **READ ALL INSTRUCTIONS CAREFULLY BEFORE USE.** If you do not understand these instructions, need clarification or further explanation, please call our toll free answer line for assistance at **1-800-304-1316** Monday through Friday 8:00 a.m. until 5:00 p.m. CST.
2. Do not load cart with more than 1800 lbs.
3. Do not allow children to use the cart unsupervised. This cart is not a toy.
4. Always distribute payload evenly over surface of bed.
5. Do not load any items on top of the fence. Lower fence when objects are to be loaded onto the cart.
6. If any parts become damaged, broken or misplaced do not use the cart until replacement parts can be obtained.
7. Do not operate or use on objects that can cause damage to the tires.
8. **SAVE THESE INSTRUCTIONS.**

ASSEMBLY INSTRUCTIONS

Your All-Terrain Cart requires assembly. Account for all parts and hardware before beginning assembly. If any parts are missing, damaged or if you have questions or need additional instructions **DO NOT RETURN THIS PRODUCT TO THE RETAILER**, call the manufacturer at **1-800-304-1316**.

Tools required for assembly: Medium size slot screwdriver, 6, 8, and 12mm open end wrench and /or two medium adjustable wrenches.

Refer to the exploded drawing and the parts list on the following pages during assembly.

- STEP 1** Turn the cart Bed upside down. Use the cardboard from the carton to keep from scratching or damaging the finish
- STEP 2** Assemble the REAR SUPPORT ASSEMBLY to the bed using 6 - 8 x 20mm Carriage Support Bolts and 6 - 8mm nuts. Attach the Rear Axle Support to the back of the bed and then attach the left and right Support Braces. Tighten all nuts securely.
- STEP 3** **The front support assembly is mostly pre-assembled at the factory.** Please make sure all bolts and nuts assembled at the factory are tight.
- A. Insert the two remaining shoulder bolts into each end of the Steering Link Connector. Apply 6mm washers and nuts.
 - B. Attach the Front Support Assembly to the bed of the cart using 2 carriage Support Bolts, 8mm washers and nuts.
 - C. Secure the Center Front Axle Brace to the bed of the cart using 2 Carriage Support Bolts, 8mm washers and nuts.
- STEP 4** Install the WHEELS in the following order.
- A. Place the Wheel Spacer bushing onto the axle.
 - B. Place the Wheel onto the axle with the valve stem facing out.
 - C. Use the 12mm washer and then the 12mm Nut to secure the wheel. Tighten Securely.
- STEP 5** Turn the cart upright onto its wheels. Attach the Steering Arm to the Yoke and the Plastic Coupling using the Yoke Washers, the 8 X 60mm Pull Handle Bolt, 8mm Washer, and Lock Nut. Attach either the Pull Handle or the Trailer Hitch using the Handle Pin and Clevis Pin provided.
- STEP 6** Attach the Lock Handles onto the fence using 8mm washers and nuts. **NOTE: Do not fully tighten the nuts. These are to be adjusted after finishing the fence assembly.**
- STEP 7** Attach the front back, left and right FENCES using the Fence Assembly Pins and Clips. **NOTE: Latch the fences in the upright position using the Lock Handles. Tighten the nuts on the Lock Handles to allow for smooth operation with out being overly tight.**

PARTS AND HARDWARE IDENTIFICATION

MAIN FRAME PARTS

- 1 Bed - (1)
- 2 Sides - (2)
- 3 Front - (1)
- 4 Back - (1)
- 5 16" Wheels - (4)

REAR SUPPORT ASSEMBLY

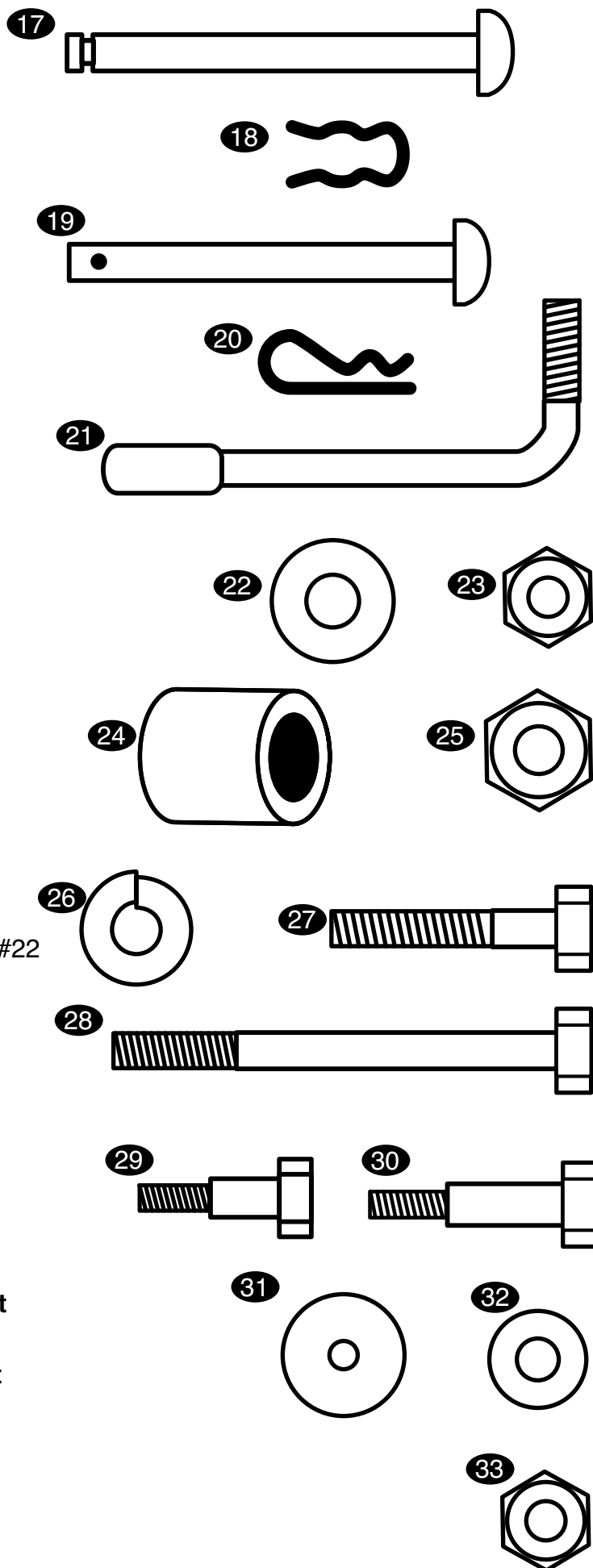
- 7 Rear Axle Support - (1)
- 8 Left Rear Axle Brace - (1)
- 9 Right Rear Axle Brace - (1)

FRONT SUPPORT ASSEMBLY

- 10 Front Axle Support - (1)
- 11 Center Front Axle Brace - (1)
- 12 Yoke - (1)
- 13 Steering Link Connector - (1)
- 14 Plastic Coupling - (1)
- 15 Pull Handle - (1)
- 16 Trailer Hitch - (1)

ASSEMBLY HARDWARE

- 17 Fence Assembly Pins - (8)
- 18 Fence Pin Clip - (8)
- 19 Handle Clevis Pin - (1)
- 20 Clevis Pin - (1)
- 21 Lock Handles 8mm - (4) use with #21 & #22
- 22 Washers 8mm - (5)
- 23 Nuts w/Lock Inserts 8mm - (15)
- 24 Wheel Spacer Bushings - (4)
- 25 Wheel Nuts 12mm - (4)
- 26 Wheel Lock Washers 12mm - (4)
- 27 Carriage Support Bolts 8 x 20mm - (10)
use with #22
- 28 Pull Handle Bolt 8 x 60mm - (1)
use with #21 & #22
- 29 Short Steering Assembly Shoulder Bolt
8 x 15mm - (3) use with #31 & #32
- 30 Long Steering Assembly Shoulder Bolt
8 x 17mm - (1) use with #31 & #32
- 31 Yoke Washers 8 x 25mm OD - (2)
- 32 Washers 6mm - (4)
- 33 Nuts w/Lock Inserts 6mm - (4)



EXPLODED DRAWING FOR ASSEMBLY

