



OWNER'S MANUAL

Model MH2115

- Important Safety Instructions
- Assembly Instructions
- Parts and Hardware Identification

2-in-1 Dump Cart

CAUTION:

Read, understand and follow ALL instructions before using this product

RMM Corporation
7677 Equitable Drive
Minneapolis, MN 55344
800-304-1316
www.black-cat-products.com

REV 6/05

IMPORTANT SAFETY INSTRUCTIONS

1. **READ ALL INSTRUCTIONS CAREFULLY BEFORE USE.** If you do not understand these instructions, need clarification or further explanation, please call our toll free answer line for assistance at **1-800-304-1316**.
2. Do not allow children to use the Dump Cart unsupervised. This Dump Cart is not a toy.
3. Do not load any items on the top edges of the plastic tray.
4. If any parts become damaged, broken, or misplaced, do not use the Dump Cart until replacement parts can be obtained.
5. Do not operate or use on objects that can cause damage to the pneumatic tires or tubes.
Do not inflate tires to more than the maximum PSI rating listed on the tires.
6. **SAVE THESE INSTRUCTIONS!**

ASSEMBLY INSTRUCTIONS

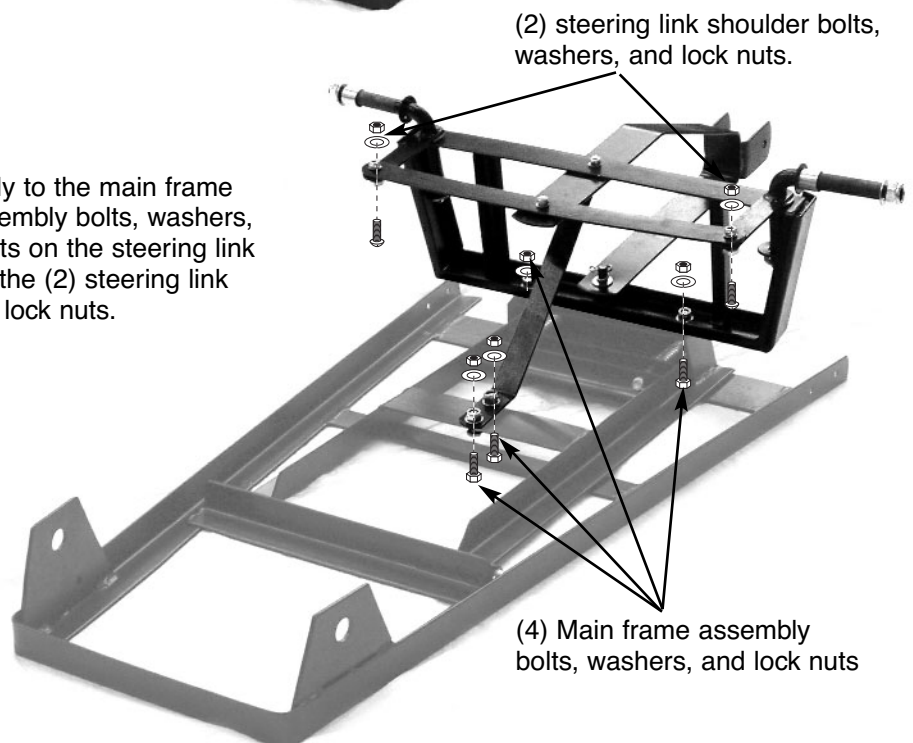
Your Dump Cart requires assembly. Account for all parts and hardware before beginning assembly. If any parts are missing or damaged, or if you have any questions or need additional instructions, call the manufacturer at **1-800-304-1316**.

Tools required for assembly: standard screwdriver, and socket set (or two adjustable wrenches).

STEP 1 Lay the main frame assembly on a flat working surface.



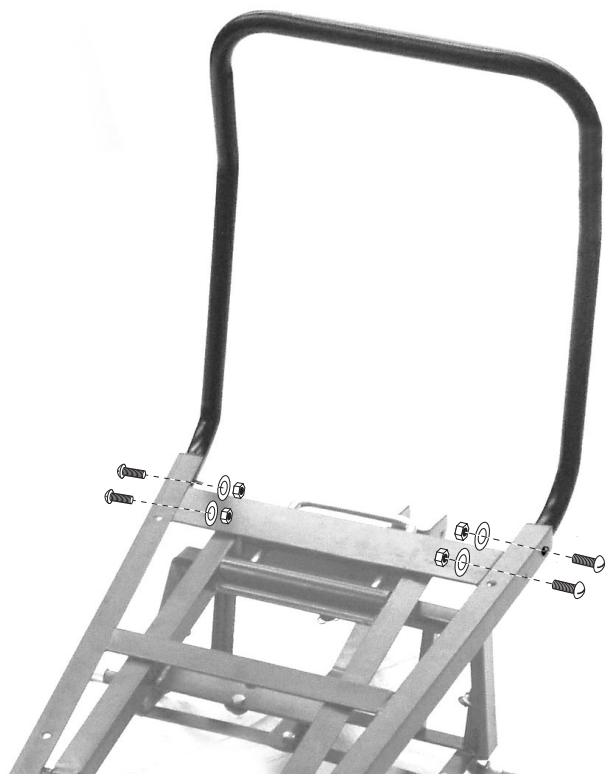
STEP 2 Attach the front axle assembly to the main frame using the (4) main frame assembly bolts, washers, and lock nuts. Attach the bolts on the steering link connector to the axles using the (2) steering link shoulder bolts, washers, and lock nuts.



STEP 3 Attach the axle and (2) 10" wheels to the main frame assembly. Slide the wheel spacer bushings onto the axle ends, insert the wheels, and attach using the wheel washers and the cotter pins.



STEP 4 Flip the cart over to the upright position. Attach the upright handle to the main frame assembly using the (4) upright handle bolts, washers, and lock nuts provided.



STEP 5 Attach the (2) tray braces to the main frame assembly using (2) main frame assembly bolts, washers, and lock nuts.



STEP 6 Attach the tray to the main frame assembly using the (6) tray bolts, washers, and lock nuts.



STEP 7 Attach the (2) 13" wheels to the front axle assembly. Slide the wheel spacer bushings onto the axle ends, insert the wheels, and attach using the wheel washers and the wheel lock nuts.



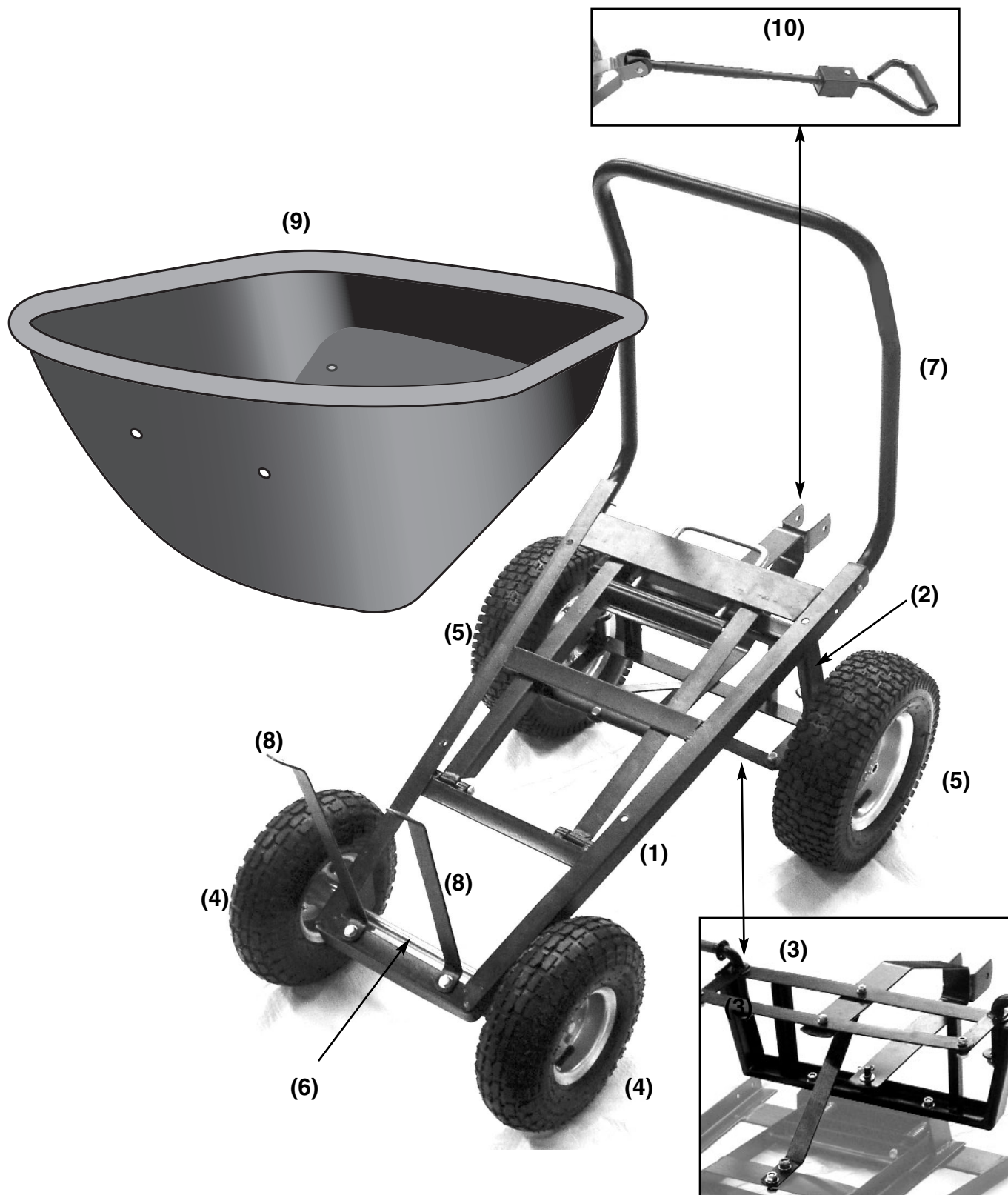
STEP 8 Attach the pull handle assembly to the front axle assembly using the pull handle bolt, washer, and lock nut.



EXPLODED DRAWING FOR ASSEMBLY

COMPONENTS:

- (1) Main Frame Assembly - 1
- (2) Front Axle Assembly - 1
- (3) Steering Link Connector - 1
- (4) 10" Wheel - 2
- (5) 13" Wheel - 2
- (6) Axle - 1
- (7) Upright Handle - 1
- (8) Tray Brace - 2
- (9) Tray - 1
- (10) Pull Handle Assembly - 1



PARTS AND HARDWARE IDENTIFICATION



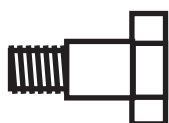
(11) Main Frame Assembly Bolt (6)



(12) Main Frame Assembly Washer (6)



(13) Main Frame Assembly Lock Nut (6)



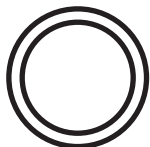
(14) Steering Link Shoulder Bolt (2)



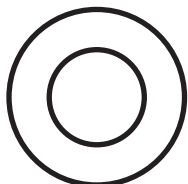
(15) Steering Link Washer (2)



(16) Steering Link Lock Nut (2)



(17) Wheel Spacer Bushing (4)



(18) Wheel Washer (4)



(19) Cotter Pin (2)



(20) Wheel Lock Nut (2)



(21) Upright Handle Bolt (4)



(22) Upright Handle Washer (4)

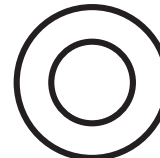


(23) Upright Handle Lock Nut (4)

(24) Tray Bolt (6)



(25) Tray Washer (6)



(26) Tray Lock Nut (6)



(27) Pull Handle Bolt (1)



(28) Pull Handle Washer (1)



(29) Pull Handle Lock Nut (1)

