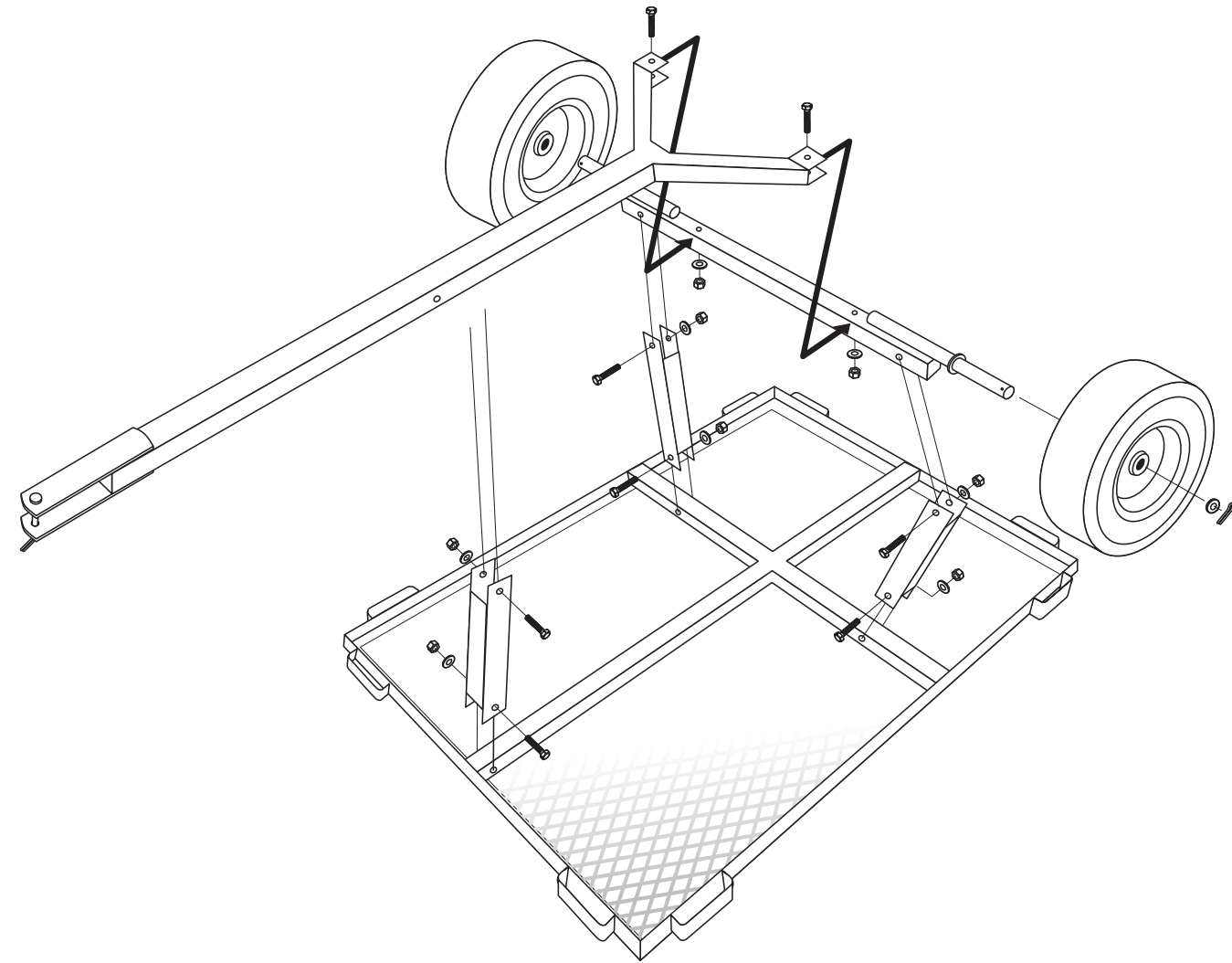


Exploded Drawing for Assembly



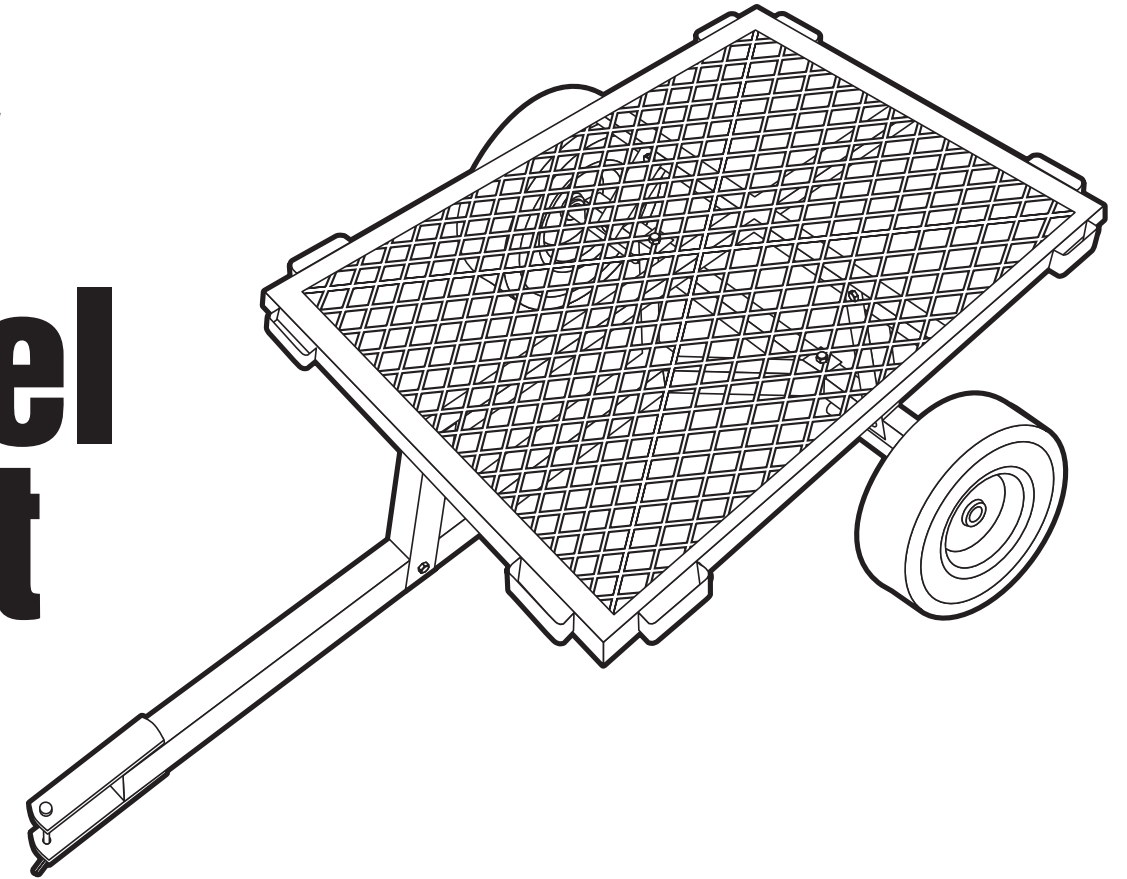
Parts List

Steel Mesh Base – 1 pc
Tires – 2 pcs
Cotter Pins – 2 pcs
Flat Washers 25mm – 2 pcs
Rear Axle Assembly – 1 pc
Support Brackets – 3 pcs
M8 x 55 Hexagon Bolts – 8 pcs

M8 Lock Nuts – 8 pcs
Washers – 8 pcs
Front Yoke – 1 pc
10x70 Bolt – 1 pc
("B" pin washers are
pre-assembled on tow)



ATV Steel Cart



Owners Manual Model MH2195

- Important Safety Instructions
- Assembly Instructions
- Parts and Hardware Identification

CAUTION: Read, understand and follow ALL instructions before using this product.

For product inquiries:
Tricam Industires Asia Ltd
7677 Equitable Drive
Eden Prairie, MN 55344
800-867-6763

Important Safety Instructions

1. READ ALL INSTRUCTIONS CAREFULLY BEFORE USE. If you do not understand these instructions, need clarification or further explanation, please call our toll free answer line for assistance at **1-800-867-6763**.
2. Do not load ATV cart with more than 880 lbs (400 kg).
3. This ATV cart is intended for work purposes only.
4. Do not allow children to operate this ATV cart. This ATV cart is not a toy.
5. This product is not to be used for transporting passengers.
6. This product is not to be used for highway use.
7. Do not exceed 9 mph.
8. Always distribute payload evenly over the surface of the bed.
9. If any parts become damaged, broken, or misplaced, do not use the ATV dump cart until replacement parts can be obtained.
10. Do not operate or use on objects that can cause damage to the pneumatic tires or tubes. Over inflation of tires can result in serious injury. Do not exceed maximum tire PSI. **Do not inflate tires to more than 36 PSI (2.48 BAR)**.
11. SAVE THESE INSTRUCTIONS

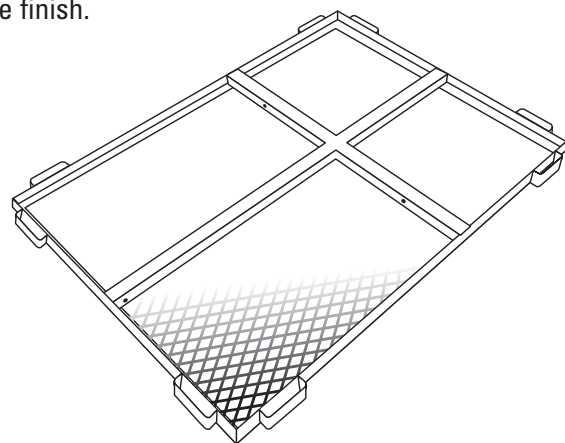
Assembly Instructions

Your ATV cart requires assembly. Account for all parts and hardware before beginning assembly. If any parts are missing or damaged, or if you have any questions or need additional instructions, call the manufacturer at **1-800-867-6763**.

Tools required for assembly: standard screwdriver, phillips screwdriver and socket set (or two adjustable wrenches).

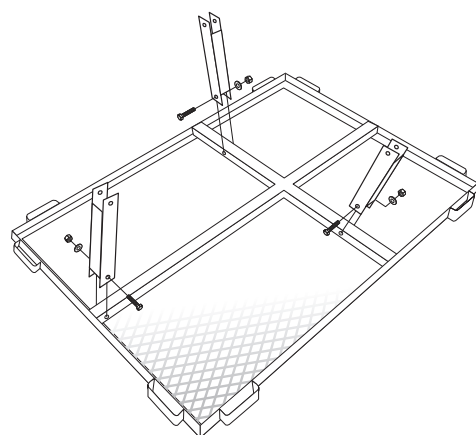
Step 1

Turn cart steel base upside down. Use the cardboard from the carton to keep from scratching or damaging the finish.



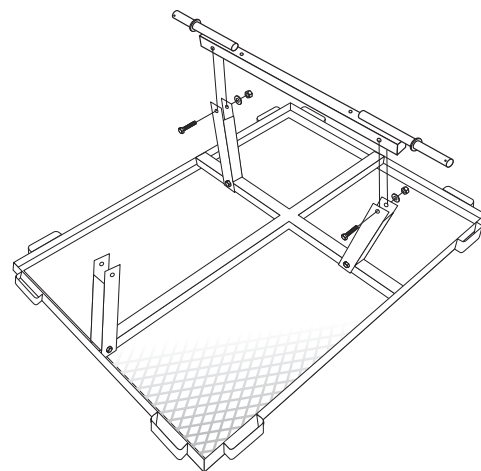
Step 2

Attach the support brackets (3) to the steel deck using (3) M8x55 bolts, M8 lock nuts and 8mm flat washers.



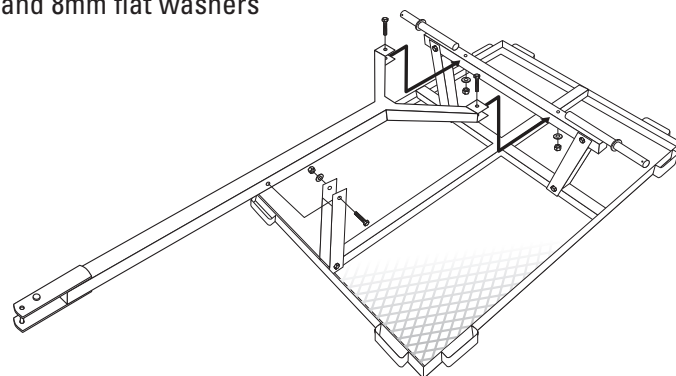
Step 3

Attach the rear axle assembly to the rear support brackets using (2) M8x55 bolts, M8 lock nuts and 8mm flat washers.



Step 4

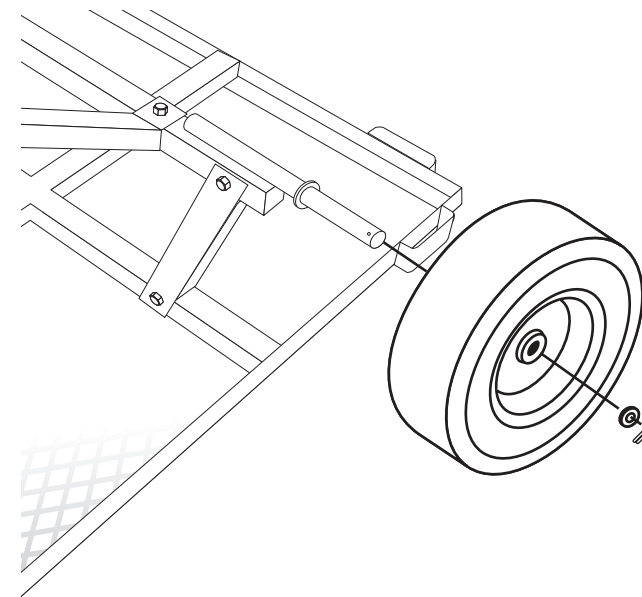
Attach the front yoke to the rear axle assembly and front support bar using (3) M8x55 bolts, M8 lock nuts and 8mm flat washers



Step 5

Install the tires

1. Place the tires onto the rear axle ends with the valve stems facing out.
2. Place (2) 25mm flat washers onto the axles on the outside of each tire.
3. Insert (2) cotter pins through the holes at the end of each axle.
4. Be sure to bend one side of the (2) cotter pins to keep from falling back through the hole in the axle.



Step 6

Turn the steel cart upright onto its tires. Use two people to perform this step, being careful not to lose control of the cart while turning it over. The best way to do this is to flip it over from side to side.

CAUTION

DO NOT LOAD ATV CART WITH MORE THAN 880 LBS (400 KG)