



Pull-behind Steel Utility Cart



Owners Manual Model YRD110-14

- Important Safety Instructions
- Assembly Instructions
- Parts and Hardware Identification

CAUTION: Read, understand and follow ALL instructions before using this product.

WARNING: Not for recreational use. Persons should never ride in the dump cart.

Questions, problems, or missing parts? Before returning to your retailer, visit us online at www.tricam.com and complete the replacement parts submission form or call our customer service department at 1-800-867-6763, 9 a.m. - 4 p.m., CST, Monday-Friday.

For product inquiries:
Tricam
7677 Equitable Drive
Eden Prairie, MN 55344
800-867-6763
www.tricam.com

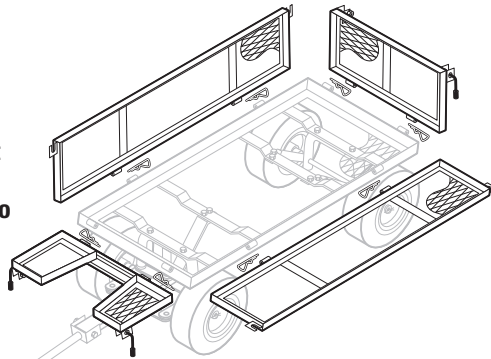
CAUTION

DO NOT EXCEED MAXIMUM OVERALL LOAD CAPACITY 400 LBS.
PERSON SHOULD NEVER RIDE IN THE UTILITY CART.
WEIGHT RATING IS BASED ON AN EVENLY DISTRIBUTED LOAD.

Step 7

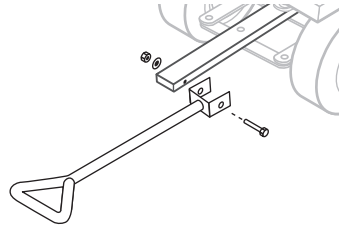
Attach the front, back, left and right fences using the fence assembly pins.

NOTE: Latch the fences in the upright position using the lock handles. Tighten the nuts on the lock handles to allow for smooth operation while not being overly tight.



Step 8

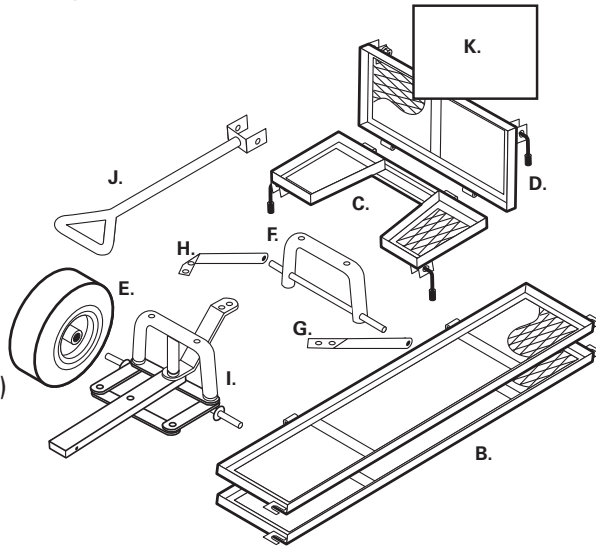
Attach the pull handle to the front axel support using the M8x60 hex head bolt, M8 lock nut and M8 washer.



Replacement Parts List

For replacement parts, please visit us online at www.tricam.com to complete the replacement parts submission form or call our customer service department at 1-800-867-6763, 9 a.m. - 4 p.m., CST, Monday - Friday.

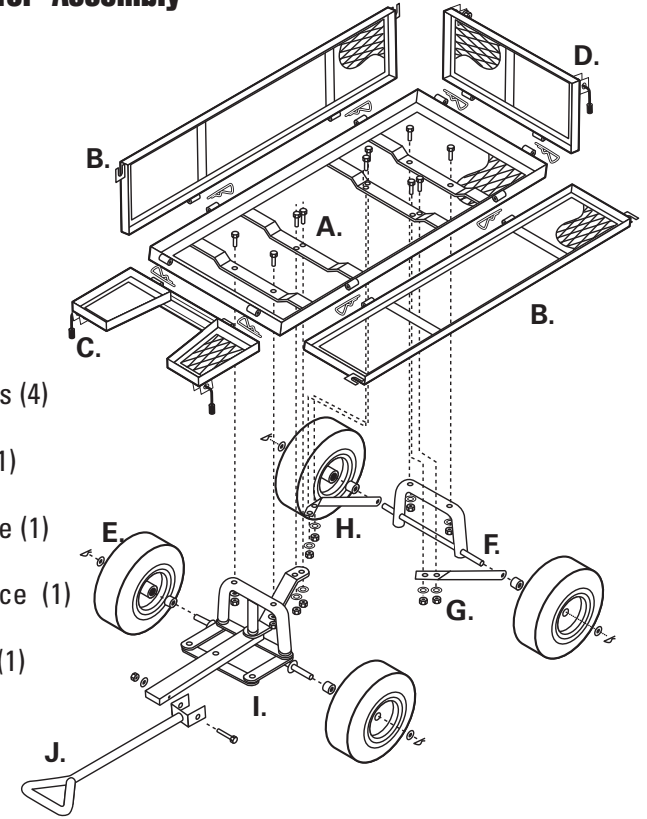
- B. Side Panels (2)
- C. Front Panel (1)
- D. Back Panel (1)
- E. 10in (25.4cm) Wheels (4)
- F. Rear Axle Support (1)
- G. Left Rear Axle Brace (1)
- H. Right Rear Axle Brace (1)
- I. Front Axle Support (1)
- J. Pull Handle (1)
- K. Hardware Kit (1)



Exploded Drawing for Assembly

Parts List

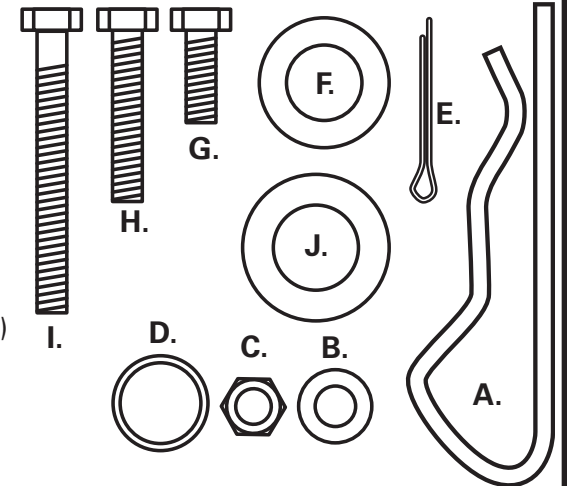
- A. Bed (1)
- B. Side Panels (2)
- C. Front Panel (1)
- D. Back Panel (1)
- E. 10in (25.4cm) Wheels (4)
- F. Rear Axle Support (1)
- G. Left Rear Axle Brace (1)
- H. Right Rear Axle Brace (1)
- I. Front Axle Support (1)
- J. Pull Handle (1)



Hardware List

Images are not to scale

- A. Fence Assembly Pins (8)
- B. M8 Washers (11)
- C. M8 Lock Nuts (11)
- D. Wheel Spacers (4)
- E. Cotter Pins (5)
- F. M16 Wheel Washers (4)
- G. M8x20 Hex Head Bolts (6)
- H. M8x40 Hex Head Bolts
- I. M8x60 Hex Head Bolt (1)
- J. M10 Washers (1)



Important Safety Instructions

1. **READ ALL INSTRUCTIONS CAREFULLY BEFORE USE.** If you do not understand these instructions, need clarification or further explanation, please call our toll free answer line for assistance at **1-800-867-6763**. Monday through Friday 9:00 a.m. until 4 :00 p.m. CST.
2. Do not exceed the overall maximum load capacity of 400 lbs (181 kg). The weight rating is based on an evenly distributed load.
3. Do not load items on the top edges of the panels. Remove panels before loading oversized items.
4. Do not allow children to use this cart without supervision. This cart is not a toy.
5. Do not use this cart to transport passengers.
6. This cart is not intended for highway use.
7. Do not exceed 5 mph.
8. If any parts become damaged, broken or misplaced, do not use the cart until replacement parts have been obtained.
9. Do not use the cart on surfaces or for transporting objects that can cause damage to the pneumatic tires or tubes. **Do not inflate the tires to more than 30 PSI (2.07 BAR).**
10. It is recommended that the cart be inspected for damage before each use.
11. **KEEP THESE INSTRUCTIONS FOR FURTHER REFERENCE.**

Assembly Instructions

Your cart requires assembly. Account for all parts and hardware before beginning assembly. If any parts are missing, damaged or if you have questions or need additional instructions **DO NOT RETURN THIS PRODUCT TO THE RETAILER**, visit us online at www.tricam.com to complete the replacement parts submission form or call our customer service department at **1-800-867-6763**.

Tools required for assembly: pliers, adjustable wrenches and/or metric socket set

NOTE: During each step of assembly, assemble all hardware and hand tighten. Once all the hardware is installed for that particular step, tighten all hardware.

Step 1

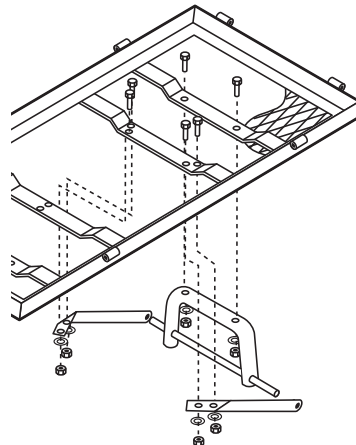
Turn the cart bed upside down. Use the cardboard from the carton to keep from scratching or damaging the finish.

Step 2

Assemble the rear support assembly to the back of the bed using (2) M8x40 hex head bolts, (2) M8 lock nuts, and (2) M8 washers.

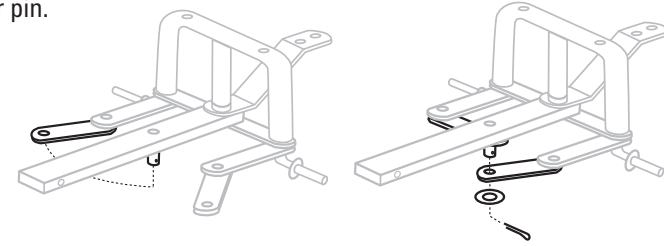
Hand tighten. Next attach the left and right rear axle braces using (4) M8x20 hex head bolts, (4) M8 lock nuts, and (4) M8 washers.

Tighten all nuts securely.



Step 3

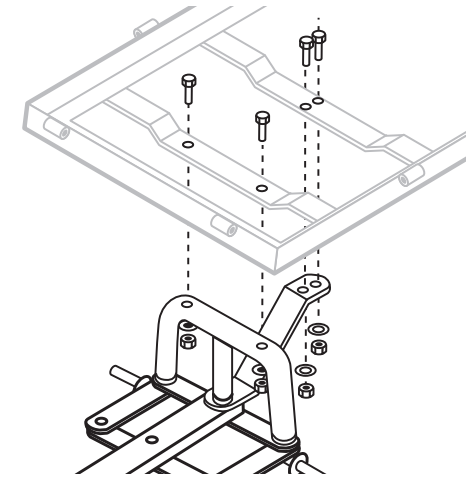
The front support assembly is mostly pre-assembled at the factory. Please make sure all bolts and nuts assembled at the factory are tight. Assemble the front axle support by sliding the arms onto the support rod and secure by using a M10 washer and cotter pin.



Step 4

A. Attach the front axle support to the bed of the cart using (2) M8x40 hex head bolts, (2) M8 lock nuts, and (2) M8 washers.

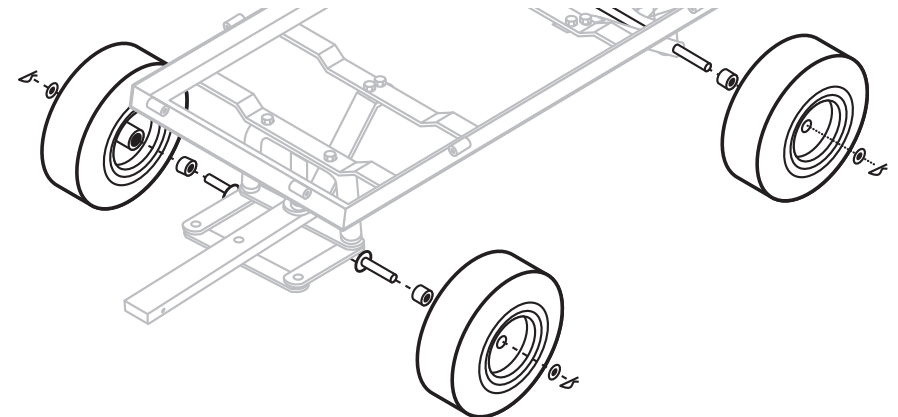
B. Secure the center front axle brace to the bed of the cart using (2) M8x20 hex head bolts, (2) 8mm lock nuts, and (2) M8 washers.



Step 5

Install the wheels in the following order:

1. Place the wheel spacers onto the axles.
2. Place the wheels onto the axles with the valve stem facing out.
3. Use the M16 washers and the cotter pins to secure the wheels.



Step 6

Turn the cart upright onto its wheels.