



## STEEL UTILITY CART

### OWNER'S MANUAL



#### **WARNING:**

Read carefully and understand all **ASSEMBLY AND OPERATION INSTRUCTIONS** before operating. Failure to follow the safety rules and other basic safety precautions may result in serious personal injury.

Item# 46529

Thank you very much for choosing an Ironton product! For future reference, please complete the owner's record below:

Model: \_\_\_\_\_ Purchase Date: \_\_\_\_\_

Save the receipt, warranty and these instructions. It is important that you read the entire manual to become familiar with this product before you begin using it.

This cart is designed for certain applications only. The distributor cannot be responsible for issues arising from modification. Do not modify this cart or use it for any application other than that for which it was designed.

For technical questions please call **1-800-222-5381**.

## INTENDED USE

This steel utility cart is perfect for hauling garden supplies, fire wood and more.

## TECHNICAL SPECIFICATIONS

Item	Description
Capacity	Overall maximum 400 lbs. load capacity
Tires	10 inch Pneumatic Tires Do not inflate the tires more than 30 PSI.
Construction	Steel
Dimensions	34 x 18.5 x 21.5

## GENERAL SAFETY RULES



**WARNING:** Read and understand all instructions. Failure to follow all instructions listed below may result in serious injury.



**CAUTION:** Do not allow persons to operate or assemble this utility cart until they have read this manual and have developed a thorough understanding of how the utility cart works.



**WARNING:** The warnings, cautions, and instructions discussed in this instruction manual cannot cover all possible conditions or situations that could occur. It must be understood by the operator that common sense and caution are factors which cannot be built into this product, but must be supplied by the operator.

## SAVE THESE INSTRUCTIONS

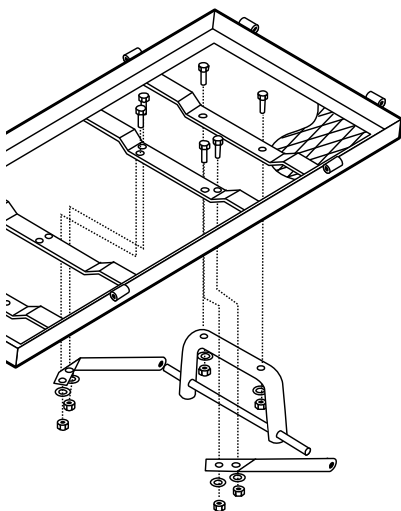
## IMPORTANT SAFETY CONSIDERATIONS

- **Maximum overall load capacity:** 400 lbs.
- **Distribute load evenly over the surface of the bed.** Do not load items on the top panels. Lower panel when objects are to be loaded onto the cart.
- **This cart is not intended for highway use.** Do not exceed 5 mph.
- **Do not use this cart for transporting passengers.** Do not allow children to use this cart without supervision. This cart is not a toy.
- **Do not inflate the tires to more than 30 PSI.** Do not use the cart on surfaces or for transporting objects that can cause damage to the pneumatic tires.
- **Do not modify the cart in any way.** Unauthorized modification may impair the function and/or safety and could affect the life of the equipment. There are specific applications for which the cart was designed.
- **Always check for damaged or worn out parts before using the cart.** Broken parts will affect the cart operation. Replace or repair damaged or worn parts immediately.
- **Store idle.** When cart is not in use, store it in a secure place out of the reach of children. Inspect it for good working condition prior to storage and before re-use.

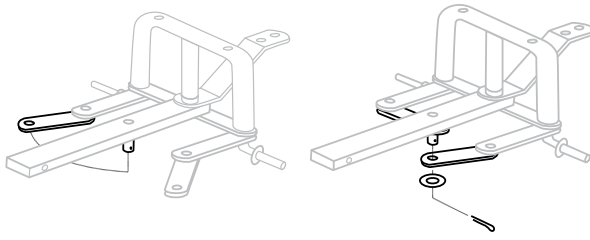
## ASSEMBLY

**Tools needed for assembly: pliers, adjustable wrenches and/or metric socket set.**

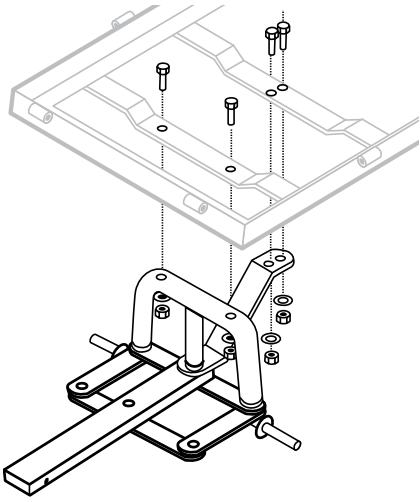
1. Turn the cart bed upside down. Use the cardboard from the carton to keep from scratching or damaging the finish.
2. Assemble the rear support assembly to the back of the bed using M8x40 bolts (2), M8 washers (2), and M8 lock nuts (2). Hand tighten.  
Next, attach the left and right rear axle braces using M8x20 bolts (4), M8 washers (4), and M8 lock nuts (4). Tighten all nuts securely.



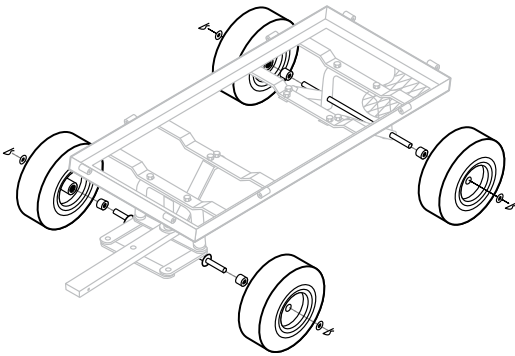
3. The front support assembly is mostly pre-assembled at the factory. Please make sure all bolts and nuts assembled at the factory are tight.  
Assemble the front axle support by sliding the arms onto the support rod and secure by using a M10 washer and cotter pin.



4. A. Attach the front axle support to the bed of the cart using M8x40 bolts (2), M8 washers (2), and M8 lock nuts (2).  
B. Secure the center front axle brace to the bed of the cart using M8x20 bolts (2), M8 washers (2), and M8 lock nuts (2).

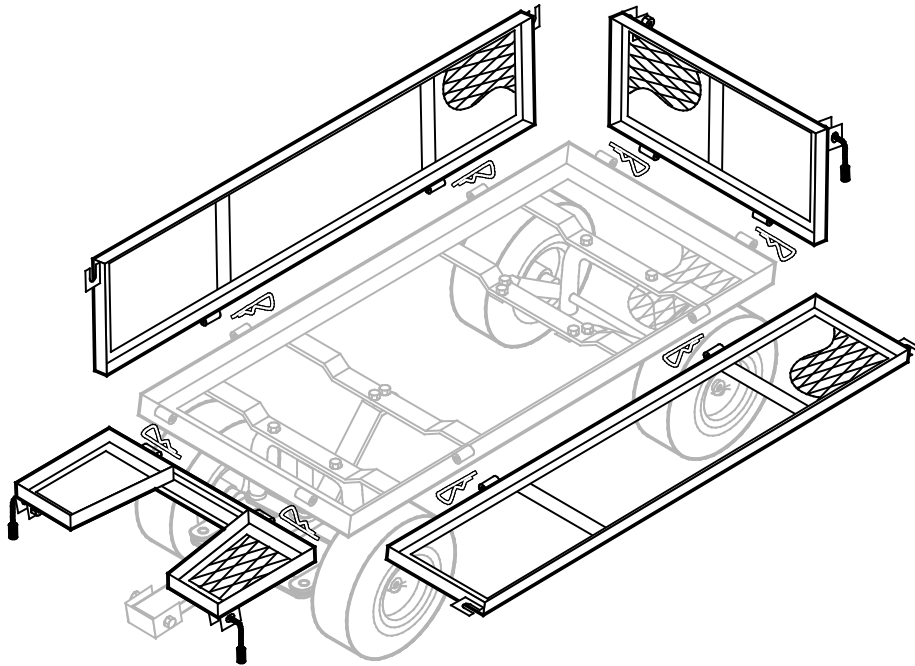


5. Install the wheels in the following order:
  - a) Place the wheel spacers onto each axle.
  - b) Place the wheels onto the axles with the valve stems facing out.
  - c) Place the wheel washers and the cotter pin to secure the wheels.

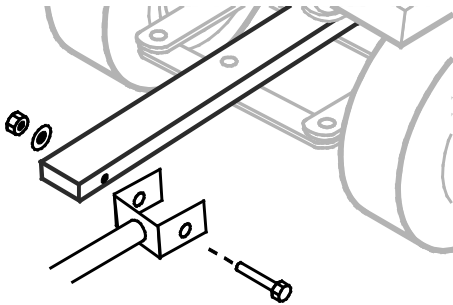


6. Turn the cart upright onto the wheels.

7. Attach the front, back, left and right panels using the fence assembly pins.



8. Attach the handle to the front axle support using M8x60 bolt (1), M8 washer (1) and M8 lock nut (1).



## OPERATIONS

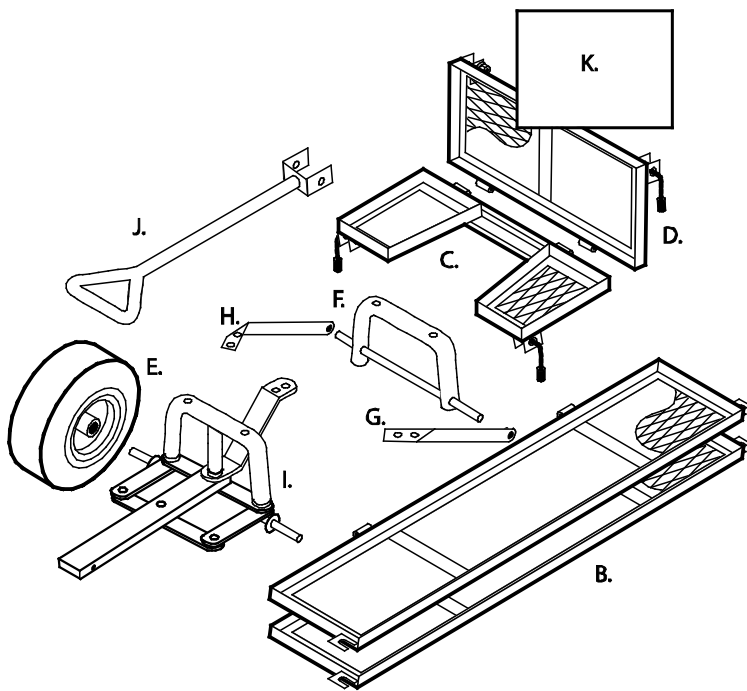
- **Do not exceed the overall maximum load capacity of 400 lbs.** The weight rating is based on an evenly distributed load.
- **Distribute load evenly over the surface of the bed.** Do not load items on the top panels. Lower panel when objects are to be loaded onto the cart. Remove panels before loading oversized loads.
- **This cart is not intended for highway use.** Do not exceed 5 mph.
- **Do not use this cart for transporting passengers.** Do not allow children to use this cart without supervision. This cart is not a toy.
- If any parts become damaged, broken or misplaced, do not use this cart until replacement parts have been obtained.
- **Do not inflate the tires to more than 30 PSI.** Do not use the cart on surfaces or for transporting objects that can cause damage to the pneumatic tires.

- **Do not modify the cart in any way.** Unauthorized modification may impair the function and/or safety and could affect the life of the equipment. There are specific applications for which the cart was designed.
- **Always check for damaged or worn out parts before using the cart.** Broken parts will affect the cart operation. Replace or repair damaged or worn parts immediately.

## MAINTENANCE

- **Maintain your cart.** It is recommended that the general condition of any cart be examined before it is used. Keep your cart in good repair by adopting a program of conscientious repair and maintenance. Have necessary repairs made by qualified service personnel.

## DIAGRAM & REPLACEMENT PARTS LIST



Part#	Description	Qty.
B.	Side Panels	2
C.	Front Panel	1
D.	Back Panel	1
E.	Wheels	4
F.	Rear Axle Support	1
G.	Left Rear Axle Brace	1
H.	Right Rear Axle Brace	1
I.	Front Axle Support	1
J.	Handle	1
K.	Hardware Kit	1

For replacement parts and technical questions, please call **1-800-222-5381**.

# WARRANTY

1-year limited warranty



Distributed by  
Northern Tool + Equipment Co., Inc.  
Burnsville, Minnesota 55306  
NorthernTool.com  
Made in China