



# UTILITY CART

*With Removable Folding Sides*



## Owners Manual Model FR1241-2

- Important Safety Instructions
- Assembly Instructions
- Parts and Hardware Identification

**CAUTION:** Read, understand and follow ALL instructions before using this product.

**WARNING:** Not for recreational use. Persons should never ride in the Utility Cart.

Questions, problems, missing parts? Before returning to your retailer, call our customer service department at 1-800-867-6763, 9 a.m. - 4 p.m., CST, Monday-Friday.

For product inquiries:  
Tricam  
7677 Equitable Drive  
Eden Prairie, MN 55344  
800-867-6763  
[www.tricam.com](http://www.tricam.com)

# IMPORTANT SAFETY INSTRUCTIONS

1. **READ ALL INSTRUCTIONS CAREFULLY BEFORE USE.** If you do not understand these instructions, need clarification or further explanation, please call our toll free answer line for assistance at **1-800-867-6763** Monday through Friday 8:00 a.m. until 5:00 p.m. CST.
2. Do not load cart with more than 800 lbs / 362 kg.
3. Do not allow children to use the cart unsupervised. This cart is not a toy.
4. This product is not to be used transporting passengers.
5. This product is not to be used for highway use.
6. Always distribute payload evenly over surface of the bed.
7. Do not load any items on top of the panels. Lower panel when objects are to be loaded onto the cart.
8. If any parts become damaged, broken or misplaced, do not use the cart until replacement parts can be obtained.
9. Do not operate or use on objects that can cause damage to the pneumatic tires or tubes. Over-inflation of a tire can result in serious injury. Do not exceed the maximum tire PSI. **Do not inflate tires more than 30 PSI / 2.07 BAR.**
10. **SAVE THESE INSTRUCTONS**

## ASSEMBLY INSTRUCTIONS

Your cart requires assembly. Account for all parts and hardware before beginning assembly. If any parts are missing, damaged or if you have questions or need additional instructions **DO NOT RETURN THIS PRODUCT TO THE RETAILER**, call the manufacturer at **1-800-867-6763**.

Tools required for assembly: Medium size slot screwdriver, 6, 8, and 12mm open end wrench and /or two medium adjustable wrenches.

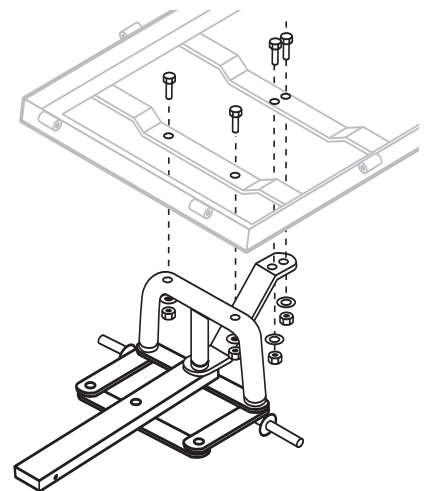
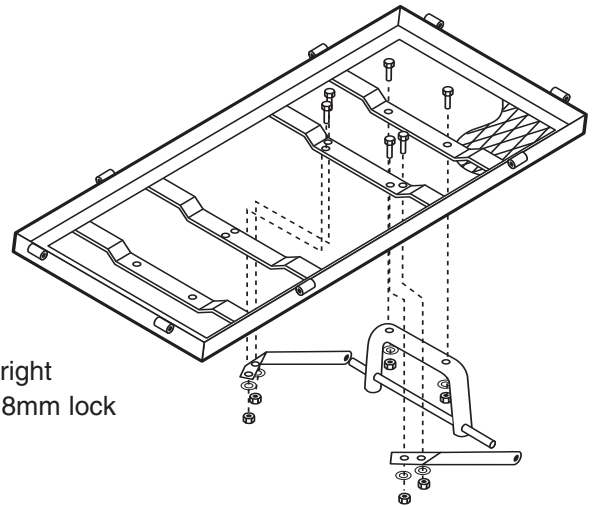
Refer to the exploded drawing and the parts list on the following pages during assembly.

**STEP 1** Turn the cart bed upside down. Use the cardboard from the carton to keep from scratching or damaging the finish.

**STEP 2** Assemble the rear support assembly to the back of the bed using (2) 8x45mm carriage support bolts, (2) 8mm lock nuts, and (2) 8mm washers. Hand tighten. Next attach the left and right rear axle braces using (4) 8x20mm carriage support bolts, (4) 8mm lock nuts, and (4) 8mm washers. Tighten all nuts securely.

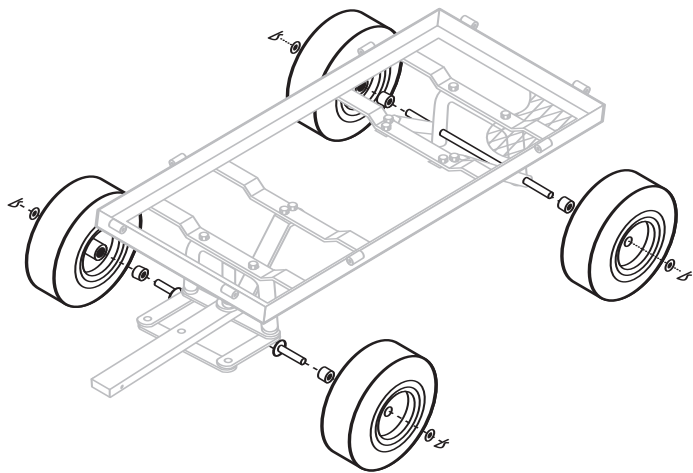
**STEP 3** The front support assembly is mostly pre-assembled at the factory. Please make sure all bolts and nuts assembled at the factory are tight.

- A. Attach the front axle support to the bed of the cart using (2) 8x45mm carriage support bolts, (2) 8mm lock nuts, and (2) 8mm washers.
- B. Secure the center front axle brace to the bed of the cart using (2) 8x20mm carriage support bolts, (2) 8mm lock nuts, and (2) 8mm washers.



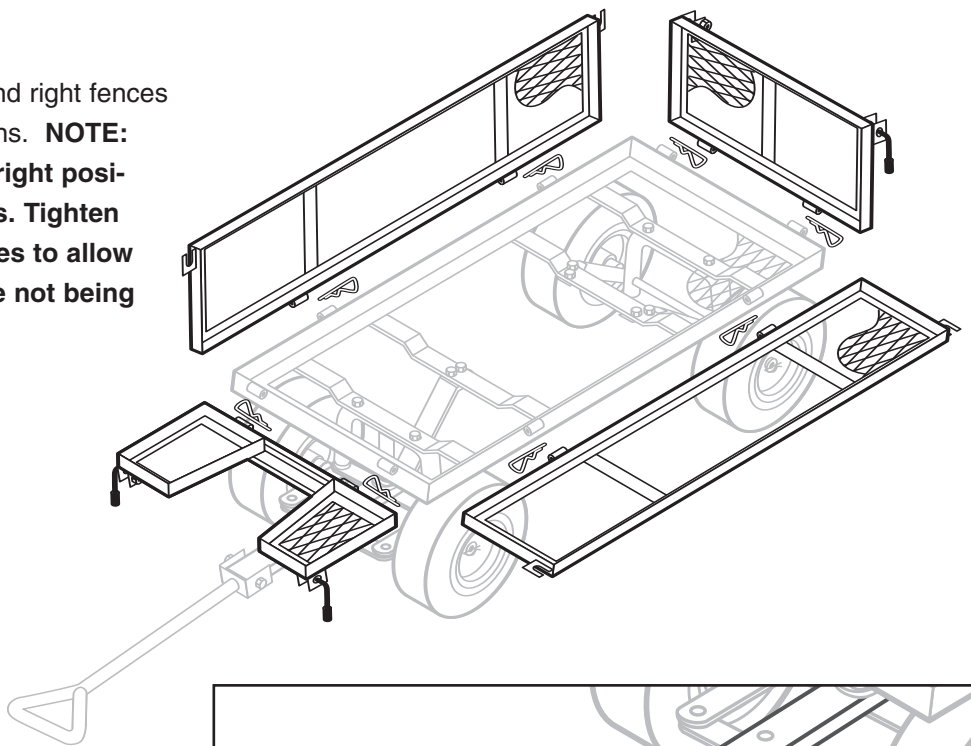
**STEP 4** Install the wheels in the following order:

1. Place the wheel spacer busings onto the axles.
2. Place the wheels onto the axles with the valve stem facing out.
3. Use the 16mm washers and the cotter pins to secure the wheels.

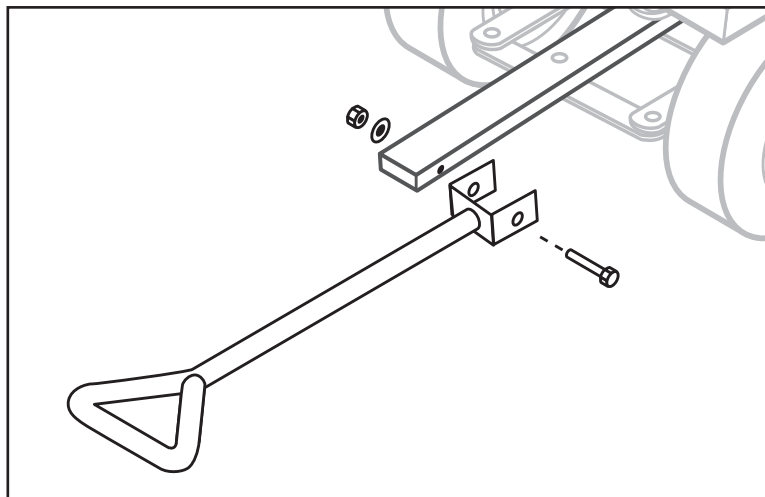


**STEP 5** Turn the cart upright onto its wheels.

**STEP 6** Attach the front, back, left and right fences using the fence assembly pins. **NOTE:** Latch the fences in the upright position using the lock handles. Tighten the nuts on the lock handles to allow for smooth operation while not being overly tight.



**STEP 7** Attach the pull handle to the front axle support using the 8x60mm pull handle bolt, 8mm lock nut and 8mm washer.



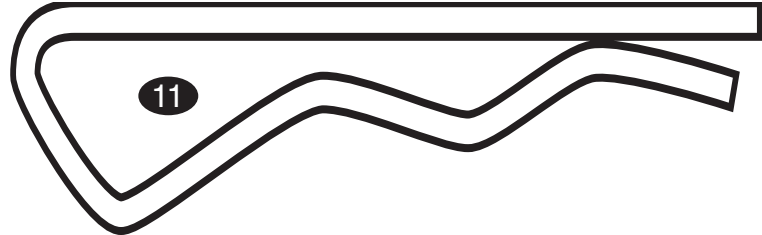
**CAUTION**

**DO NOT EXCEED MAXIMUM OVERALL LOAD CAPACITY 800 LBS.  
PERSON SHOULD NEVER RIDE IN THE UTILITY CART.  
WEIGHT RATING BASED ON EVENLY DISTRIBUTED LOAD.**

# PARTS AND HARDWARE IDENTIFICATION

## MAIN FRAME PARTS

- 1 Bed - (1)
- 2 Sides Panels - (2)
- 3 Front Panel - (1)
- 4 Back Panel - (1)
- 5 10in (25.4cm) Wheels - (4)



## REAR SUPPORT ASSEMBLY

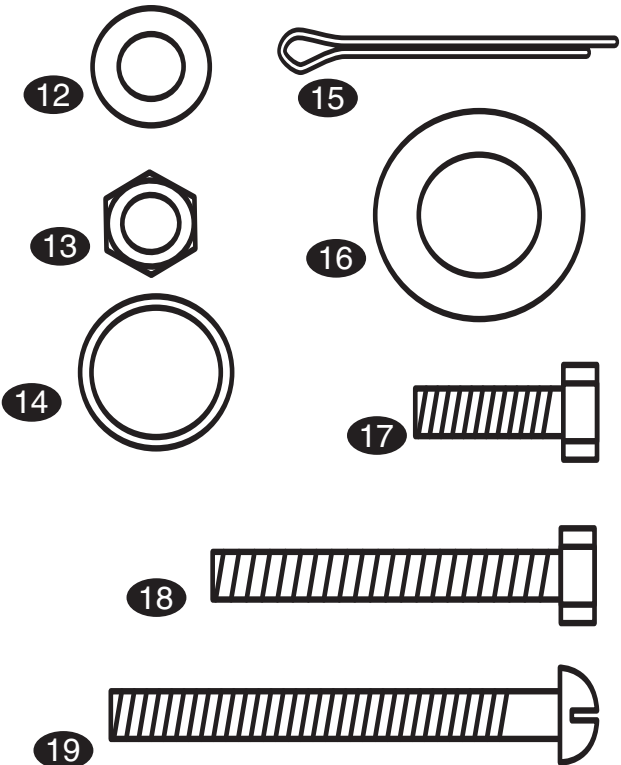
- 6 Rear Axle Support - (1)
- 7 Left Rear Axle Brace - (1)
- 8 Right Rear Axle Brace - (1)

## FRONT SUPPORT ASSEMBLY

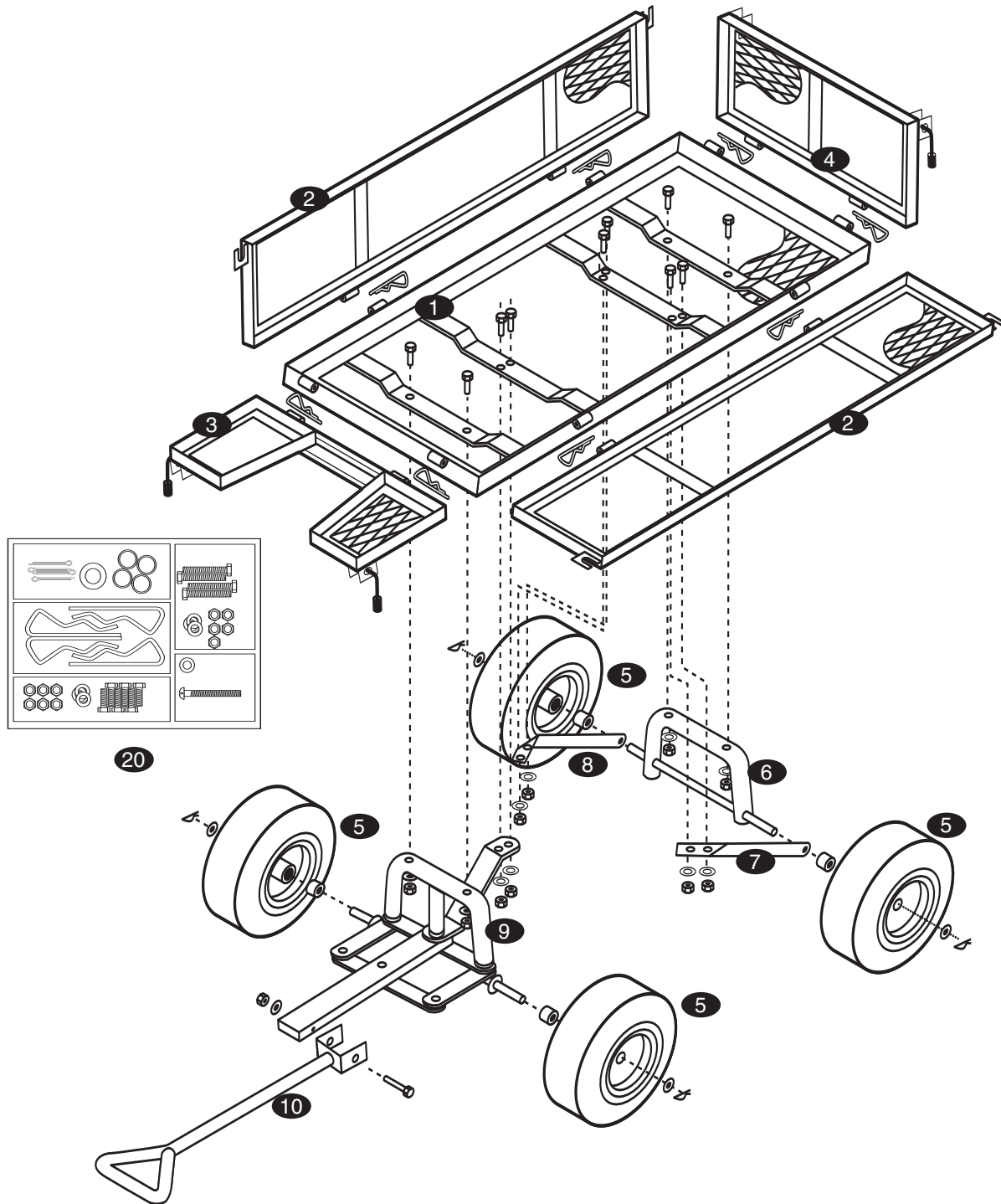
- 9 Front Axle Support - (1)
- 10 Pull Handle - (1)

## ASSEMBLY HARDWARE

- 11 Fence Assembly Pins - (8)
- 12 Washers 8mm - (12)
- 13 Lock Nuts 8mm - (11)
- 14 Wheel Spacer Bushings - (4)
- 15 Wheel Cotter Pins - (4)
- 16 Wheel Washers 16mm - (4)
- 17 Carriage Support Bolts 8 x 20mm - (6)
- 18 Carriage Support Bolts 8 x 45mm - (4)
- 19 Pull Handle Bolt 8 x 60mm - (1)



# EXPLODED DRAWING FOR ASSEMBLY



## REPLACEMENT PARTS LIST

For replacement parts, please call our customer service department at 1-800-867-6763, 9 a.m. - 4 p.m., CST, Monday-Friday.

- |          |                          |           |                              |
|----------|--------------------------|-----------|------------------------------|
| <b>2</b> | <b>Side Panels</b>       | <b>7</b>  | <b>Left Rear Axle Brace</b>  |
| <b>3</b> | <b>Front Panel</b>       | <b>8</b>  | <b>Right Rear Axle Brace</b> |
| <b>4</b> | <b>Back Panel</b>        | <b>9</b>  | <b>Front Axle Assembly</b>   |
| <b>5</b> | <b>Tires</b>             | <b>10</b> | <b>Handle</b>                |
| <b>6</b> | <b>Rear Axle Support</b> | <b>20</b> | <b>Hardware Kit</b>          |