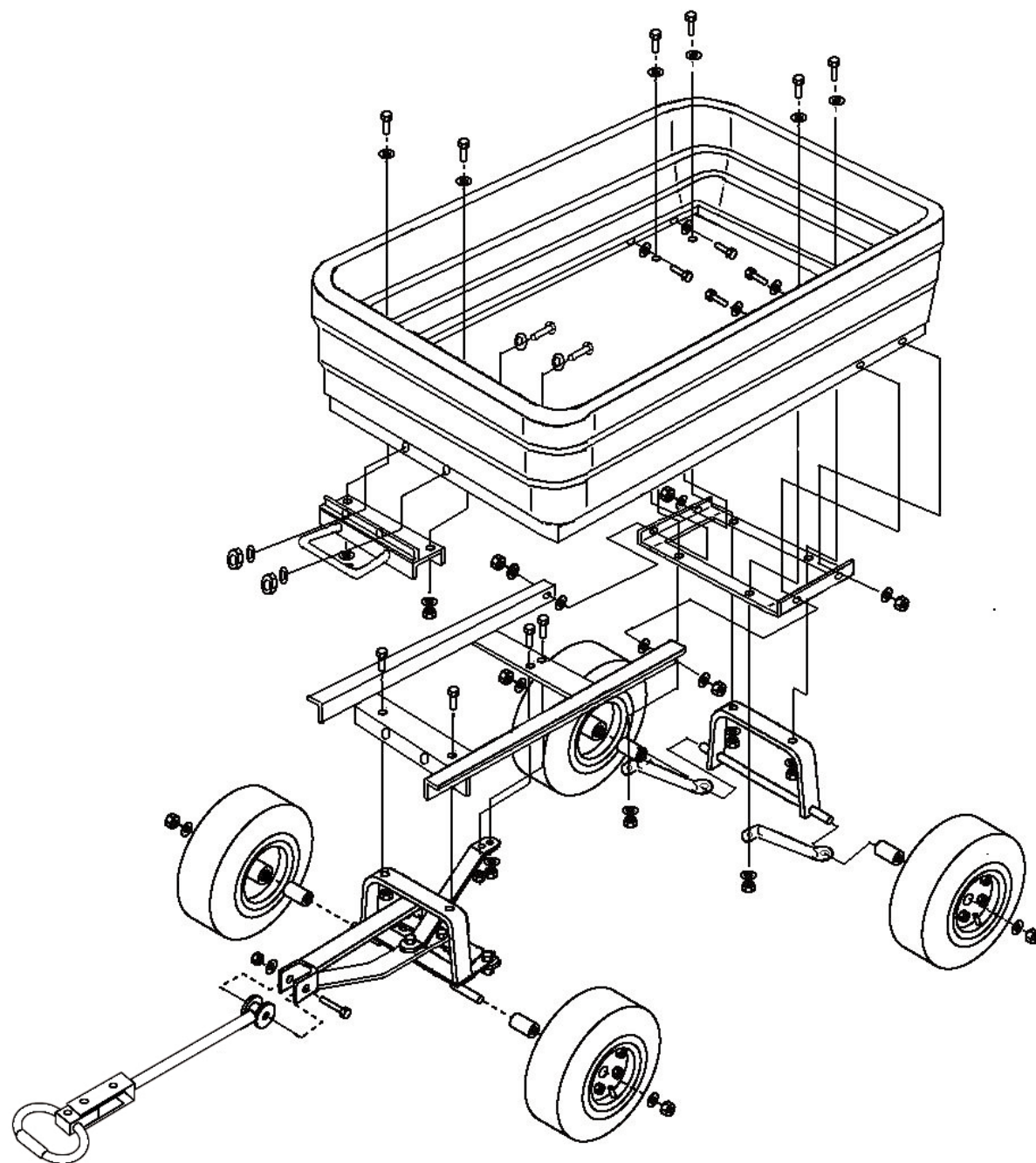


## Exploded Drawing for Assembly



# Garden Dump Cart



## Owners Manual Model GOR108-D

U.S. Patent #s 6,851,756 and 7,210,697  
Other U.S. and Foreign Patents Pending

- Important Safety Instructions
- Assembly Instructions
- Parts and Hardware Identification

**CAUTION:** Read, understand and follow ALL instructions before using this product.

Tricam  
7677 Equitable Drive  
Eden Prairie, MN 55344  
1-800-867-6763  
www.gorillacarts.net

### Parts List

Tub (1)	Right Rear Brace (1)	Round Head Bolt M8x60 (1)
Lock (1)	Handle (1)	Lock Nut M8 (13)
Front Frame (1)	Coupling (1)	Lock Nut M12 (4)
Rear Frame (1)	Wheel (4)	Wide Wing Washer ID 8mm (16)
Front Bracket Assembly(1)	Bolt M8x20 (4)	Washer (5)
Rear Bracket (1)	Round Head Bolt M8x30 (4)	Washer ID 12mm (4)
Left Rear Brace (1)	Round Head Bolt M8x20 (4)	Spacer (4)

## Important Safety Instructions

1. READ ALL INSTRUCTIONS CAREFULLY BEFORE USE. If you do not understand these instructions, need clarification or further explanation, please call our toll free answer line for assistance at **1-800-867-6763**.
2. Do not load Garden Dump Cart with more than 1,000 lbs. (453 kg). Do not use the dumping feature of the Garden Dump Cart with more than 400 lbs. (181 kg).
3. Do not allow children to use the Garden Dump Cart unsupervised. This Garden Dump Cart is not a toy.
4. Always distribute payload evenly over the surface of the bed.
5. Do not load any items on the top edges of the plastic tray.
6. If any parts become damaged, broken, or misplaced, do not use the Garden Dump Cart until replacement parts can be obtained.
7. Do not operate or use on objects that can cause damage to the pneumatic tires or tubes.  
**Do not inflate tires to more than 32 PSI / 2.2 BAR.**
8. SAVE THESE INSTRUCTIONS!

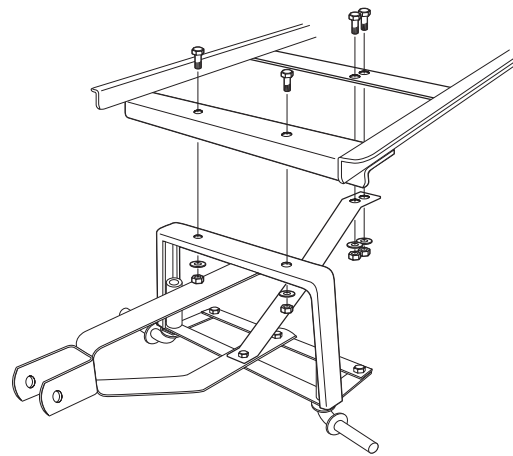
## Assembly Instructions

Your Garden Dump Cart requires assembly. Account for all parts and hardware before beginning assembly. If any parts are missing or damaged, or if you have any questions or need additional instructions, call the manufacturer at **1-800-867-6763**.

Tools required for assembly: standard screwdriver, phillips screwdriver and socket set (or two adjustable wrenches).

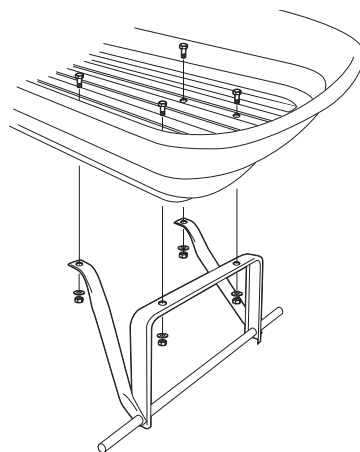
### Step 1

Assemble front bracket to front frame using M8X20 bolts (4pcs.), M8 lock nuts (4 pcs.), and washers (4pcs.).



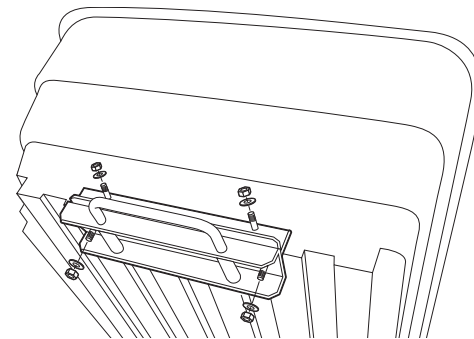
### Step 2

Assemble rear bracket to rear frame and tub using Round head M8X30 bolts (4pcs.), M8 lock nuts (4pcs.), ID 8mm wide wing washers (8pcs.).



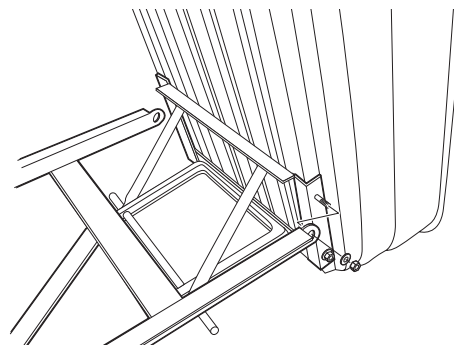
### Step 3

Assemble lock to tub using Round head M8X20 bolts (4pcs.), M8 lock nuts (4pcs.), ID 8mm wide wing washers (8pcs.).



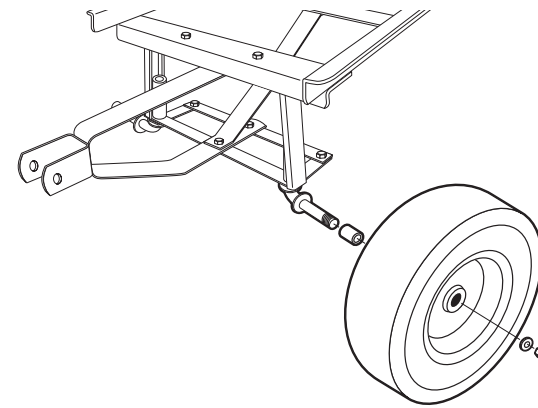
### Step 4

Place tub into its dump position. Remove shoulder bolts from rear. Take the front axle and frame and slide it over the back bracket where the bolts were just removed. Once aligned, reinsert shoulder bolts. The rear frame, front frame, and tub should now all be connected.



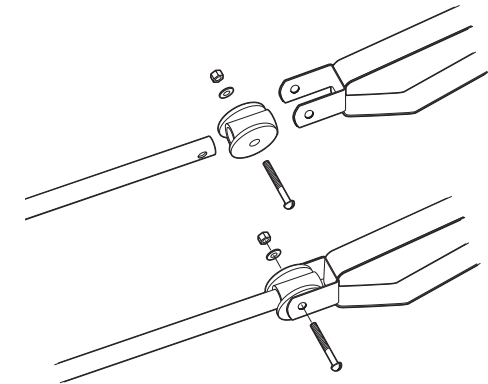
### Step 5

Assemble the wheels using the M12 lock nuts (4pcs.), spacers (4pcs.), and washers (4pcs.).



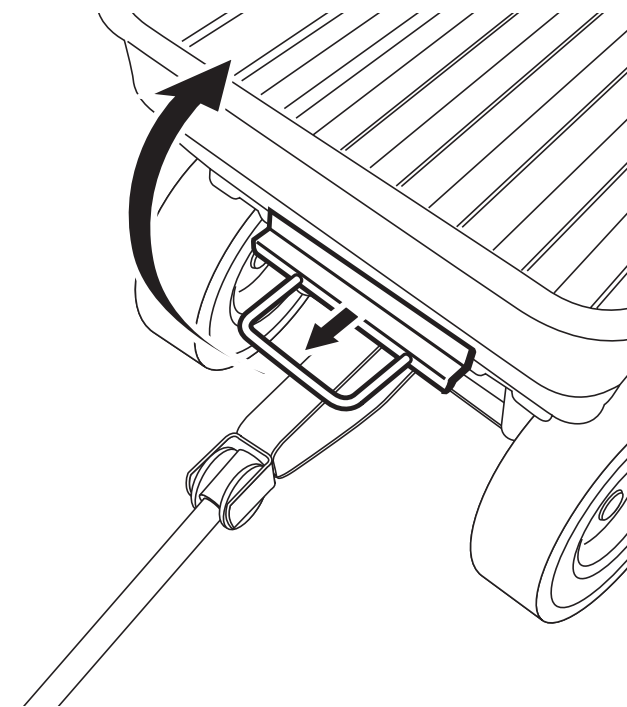
### Step 6

Assemble the handle to the yoke using M8X60 bolt (1pc.), M8 lock nut (1pc.), and washer (1pc.).



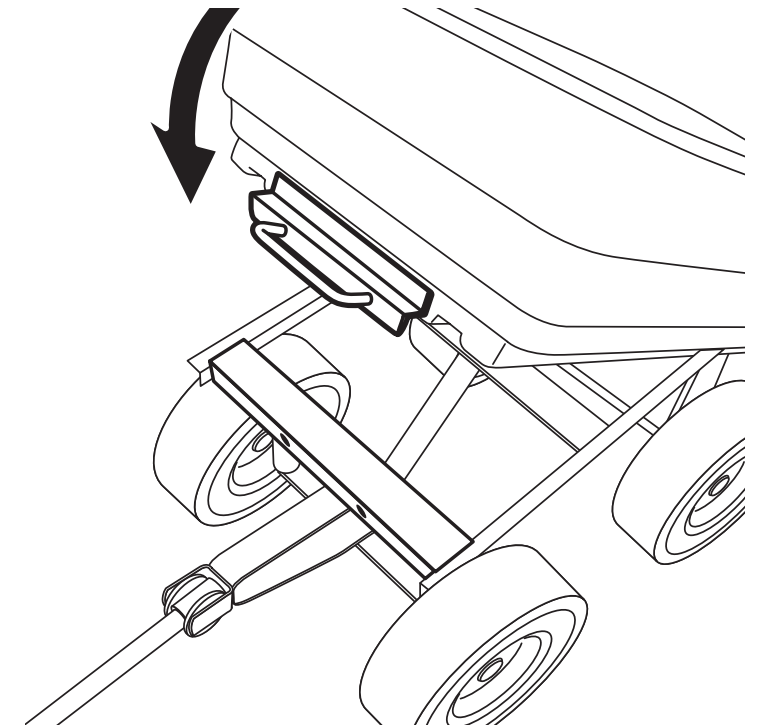
## Using the Dumping Feature

To operate the dumping feature, pull the dumping release handle outward to release the plastic bed from the locking mechanism. Lift up the release handle to rotate cart upward into the dumping position.



## Returning the Plastic Bed to the Lowered Position

Rotate the plastic bed back down to the lowered position. Make sure the dumping release handle is locked into place when the cart is in the lowered position.



**⚠ CAUTION**

**DO NOT EXCEED MAXIMUM OVERALL LOAD CAPACITY 1,000 LBS.  
MAXIMUM DUMPING LOAD CAPACITY 400LBS**