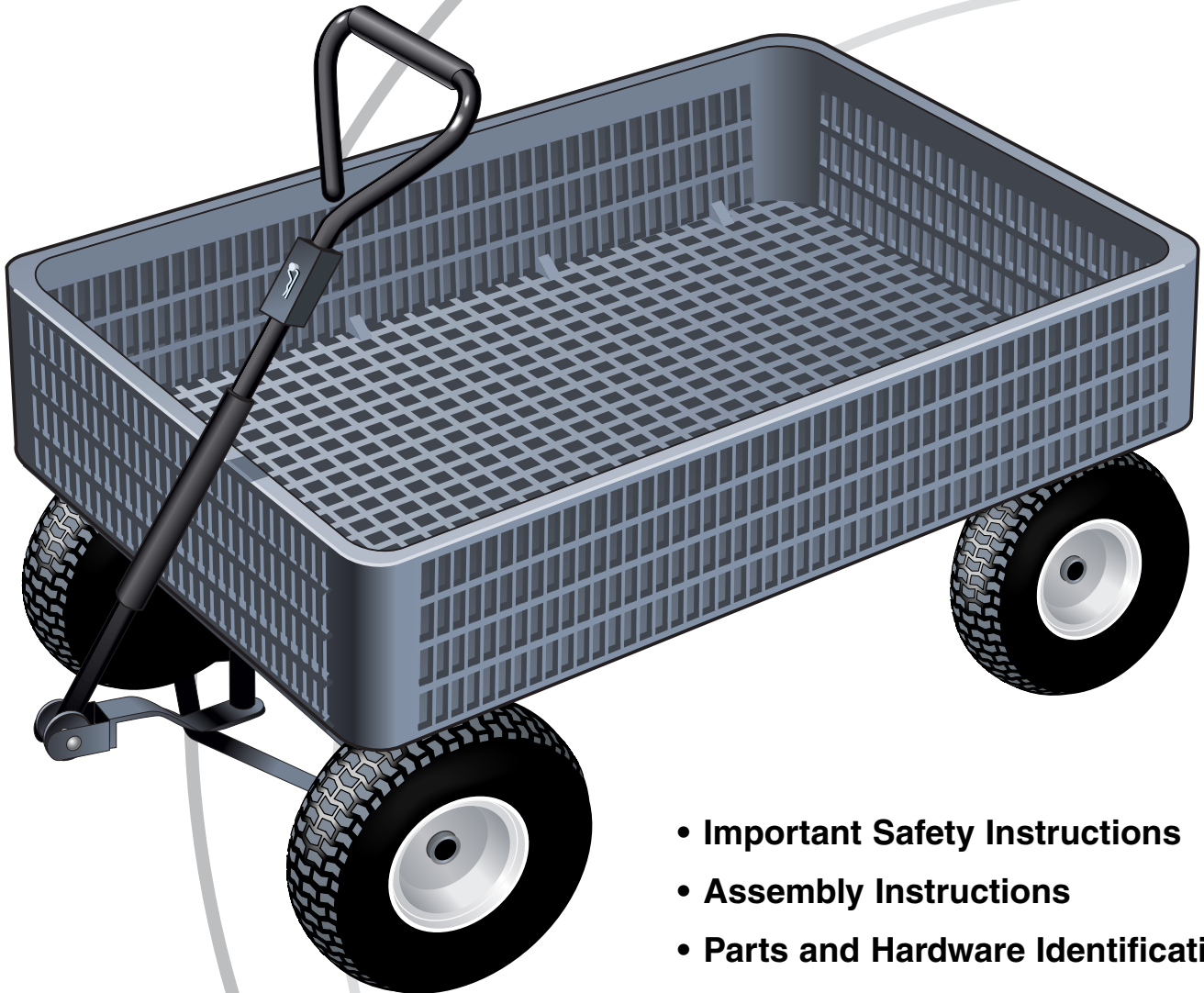




OWNER'S MANUAL

Model MH1040-01



- Important Safety Instructions
- Assembly Instructions
- Parts and Hardware Identification

Plastic Crate Cart

CAUTION:

Read, understand and follow ALL instructions before using this product

RMM Corporation
7677 Equitable Drive
Minneapolis, MN 55344
800-304-1316
www.black-cat-products.com

IMPORTANT SAFETY INSTRUCTIONS

1. **READ ALL INSTRUCTIONS CAREFULLY BEFORE USE.** If you do not understand these instructions, need clarification or further explanation, please call our toll free answer line for assistance at **1-800-304-1316** Monday through Friday 8:00 a.m. until 5:00 p.m. CST.
2. Do not load Plastic Crate Cart with more than 1200 lbs. (544 kg)
3. Do not allow children to use the cart unsupervised. This Plastic Crate Cart is not a toy.
4. Always distribute payload evenly over surface of Crate.
5. If any parts become damaged, broken, or misplaced, do not use the Cart until replacement parts can be obtained.
6. Do not operate or use on objects that can cause damage to the pneumatic tires or tubes.
Do not inflate tires more than 30 psi.
7. **SAVE THESE INSTRUCTIONS.**

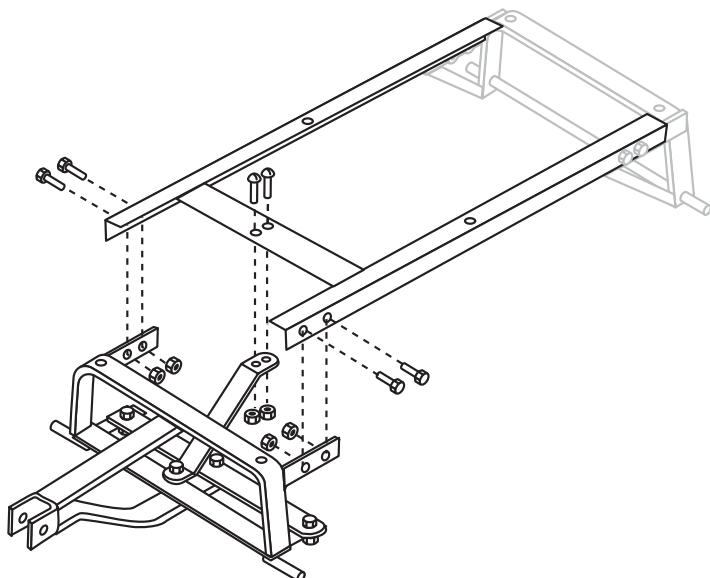
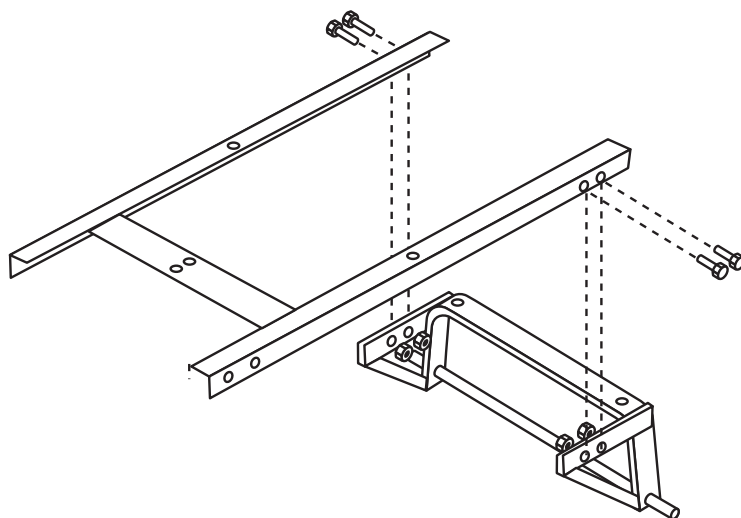
ASSEMBLY INSTRUCTIONS

Your Plastic Crate Cart requires assembly. Account for all parts and hardware before beginning assembly. If any parts are missing, damaged, or if you have questions or need additional instructions, **DO NOT RETURN THIS PRODUCT TO THE RETAILER**, call the manufacturer at **1-800-304-1316**.

Tools required for assembly: Medium size slot screwdriver, 6, 8, and 12mm open end wrench and /or two medium adjustable wrenches.

Refer to the exploded drawing and the parts list on the following pages during assembly.

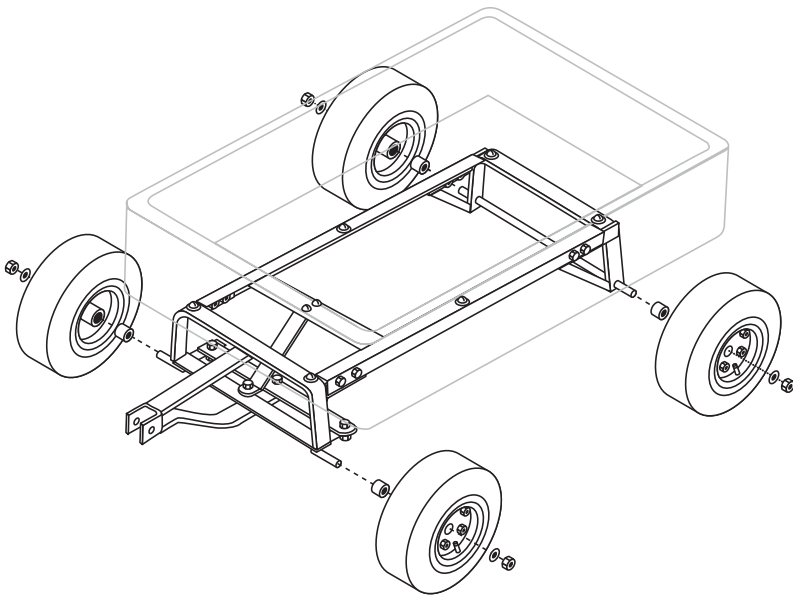
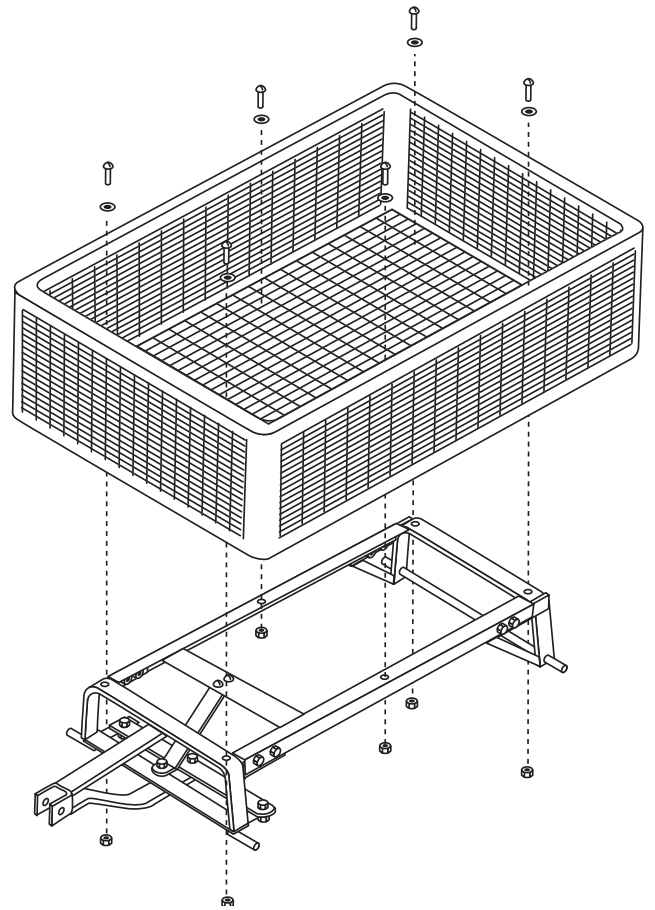
- STEP 1** Assemble the Rear Axle Support to the Frame Support using (4) 6 x 16mm Frame Support Bolts and lock nuts. Tighten all lock nuts securely.



- STEP 2** The Front Axle Support is mostly pre-assembled at the factory. Please make sure all bolts and nuts assembled at the factory are tight.

- A. Insert the two remaining 8 x 15mm shoulder bolts into each end of the Steering Link Connector. Apply 6mm washers and lock nuts.
- B. Attach the completed Front Axle Support to the Frame Support using (4) 6 x 16mm frame support bolts and lock nuts.
- C. Secure the Center Front Axle Brace to the Frame Support using 8 x 20mm bolts and lock nuts.

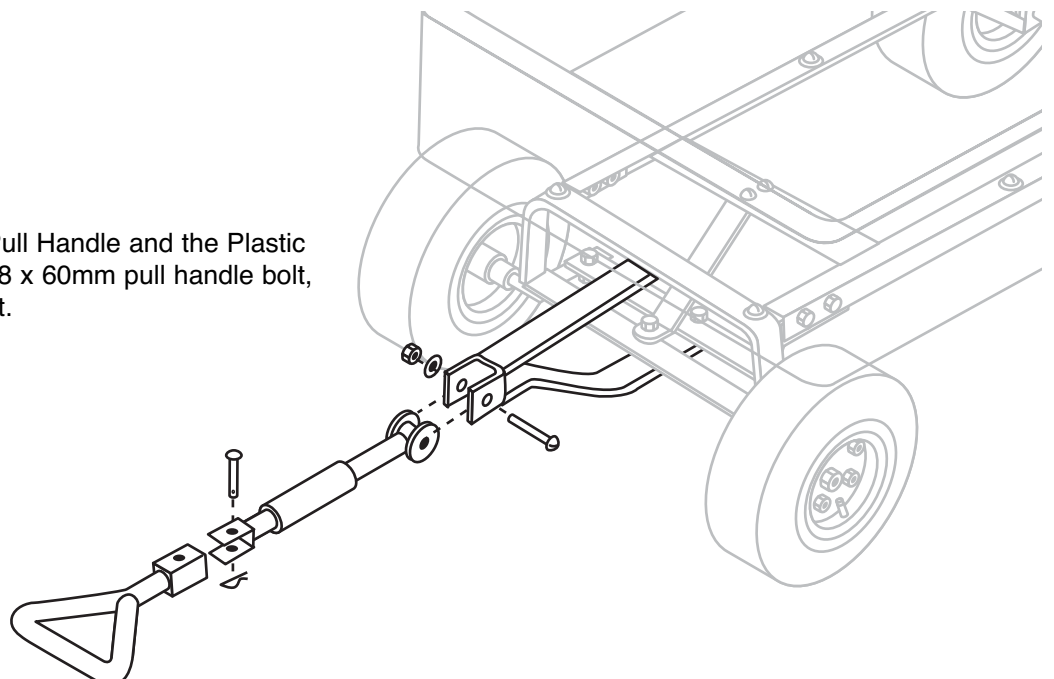
STEP 3 Attach the Frame Support to the Crate using the (3) 8 x 45mm crate bolts, washers, and lock nuts.



STEP 4 Install the Wheels in the following order.

- A. Place the Wheel Spacer bushings onto the axles.
- B. Place the Wheels onto the axles with the valve stem facing out.
- C. Use the 12mm washers and then the 12mm lock nuts to secure the wheels. Tighten Securely.

STEP 5 Attach the Tractor Pull Handle and the Plastic Coupling using the 8 x 60mm pull handle bolt, washer and lock nut.



PARTS AND HARDWARE IDENTIFICATION

MAIN FRAME PARTS

- 1 Crate - (1)
- 2 13" Wheels - (4)

REAR SUPPORT ASSEMBLY

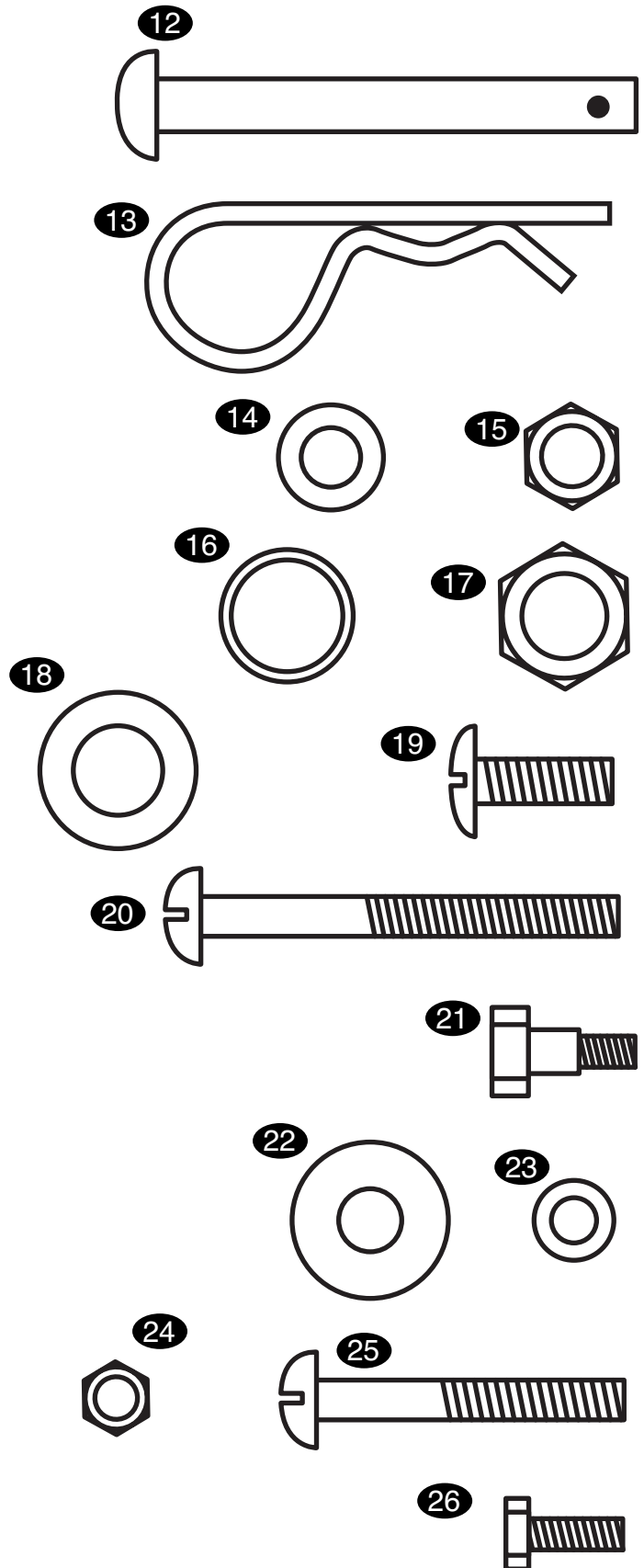
- 3 Rear Axle Support - (1)
- 4 Frame Support - (1)

FRONT SUPPORT ASSEMBLY

- 5 Front Axle Support - (1)
- 6 Center Front Axle Brace - (1)
- 7 Yoke - (1)
- 8 Steering Link Connector - (1)
- 9 Plastic Coupling - (1)
- 10 Pull Handle - (1)
- 11 Tractor Pull Handle - (1)

ASSEMBLY HARDWARE

- 12 Handle Pin - (1)
- 13 Clevis Pin - (1)
- 14 Washer 8mm - (1)
- 15 Lock Nuts 8mm - (9)
- 16 Wheel Spacer Bushings - (4)
- 17 Wheel Lock Nuts 12mm - (4)
- 18 Wheel Washers 12mm - (4)
- 19 Center Front Axle Brace Bolts 8 x 20mm - (2) use with #15
- 20 Pull Handle Bolt 8 x 60mm - (1) use with #14 & #15
- 21 Steering Assembly Shoulder Bolt 8 x 15mm - (2) use with #23 & #24
- 22 Crate Washers 8 x 25mm OD- (6)
- 23 Washers 6mm - (2)
- 24 Lock Nuts 6mm - (10)
- 25 Crate Bolts 8 x 45mm - (6)
- 26 Frame Support Bolts 6 x 16mm - (8)



EXPLODED DRAWING FOR ASSEMBLY

