



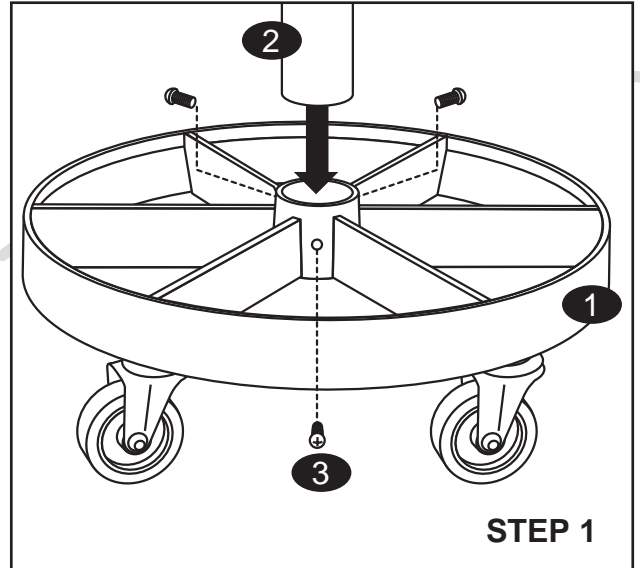
# ASSEMBLY INSTRUCTIONS

Model MH1190

**STEP 1** Set Base Shelf with Casters on the Floor. Insert Steel Post into base and screw in 3 Set Screws.

**STEP 2** Gently tap in 1 Split Roil Pin into the lowest hole on the Steel Post. Center pin thru Steel Post. Slide 1 Shelf Washer so that it rest on the centered Split Roil Pin. Slide 1 Shelf so that it rest on the Shelf Washer.

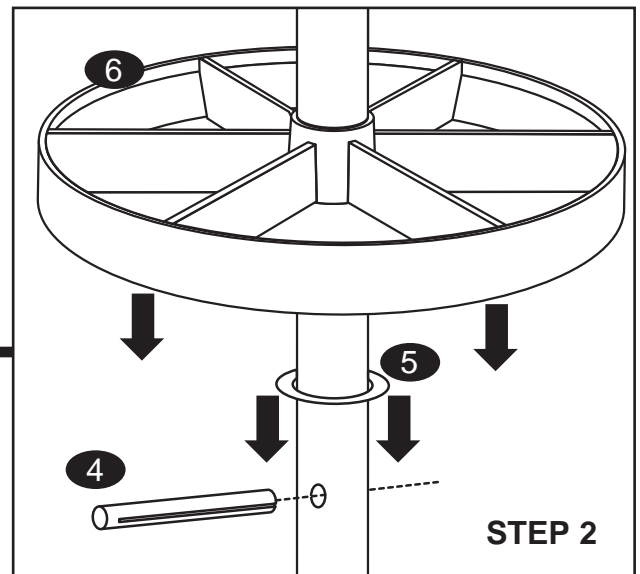
**STEP 3** Continue Step 2 with the remaining Shelves. Place Plastic Cap on top of Steel Tube.



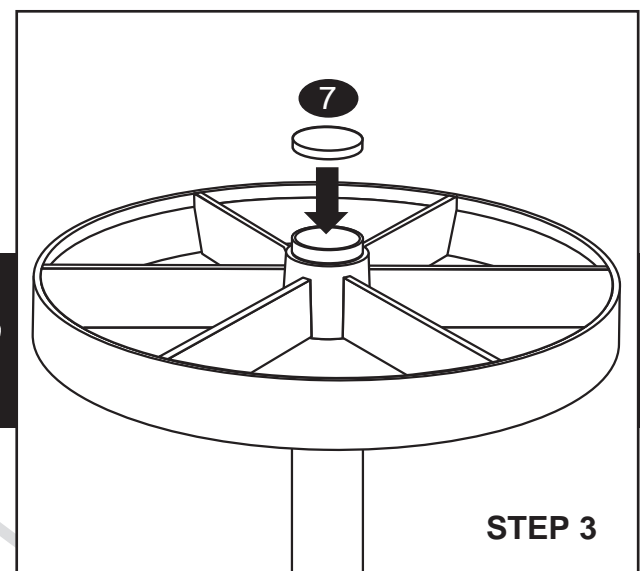
STEP 1

## CAUTION

Do not exceed the maximum load capacity of 44 lbs per shelf. For maximum stability, make sure load in trays is evenly distributed.



STEP 2



STEP 3

## PARTS & HARDWARE

### DESCRIPTION

- ① Base Shelf with 4 Casters - (1)
- ② Steel Post - (1)
- ③ Set Screws - (3)
- ④ Split Roil Pins - (3)
- ⑤ Shelf Washers- (3)
- ⑥ Shelves- (3)
- ⑦ Plastic Caps- (1)

# Tool Organizer

Tricam International  
7677 Equitable Drive  
Minneapolis, MN 55344  
800-304-1316