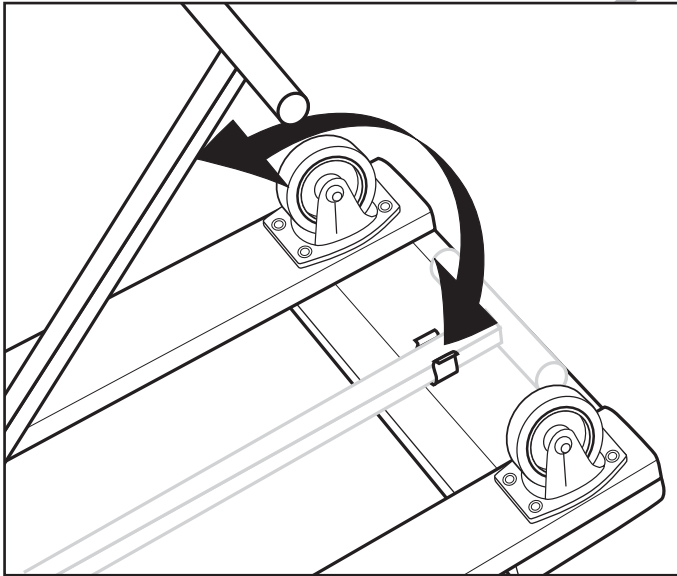


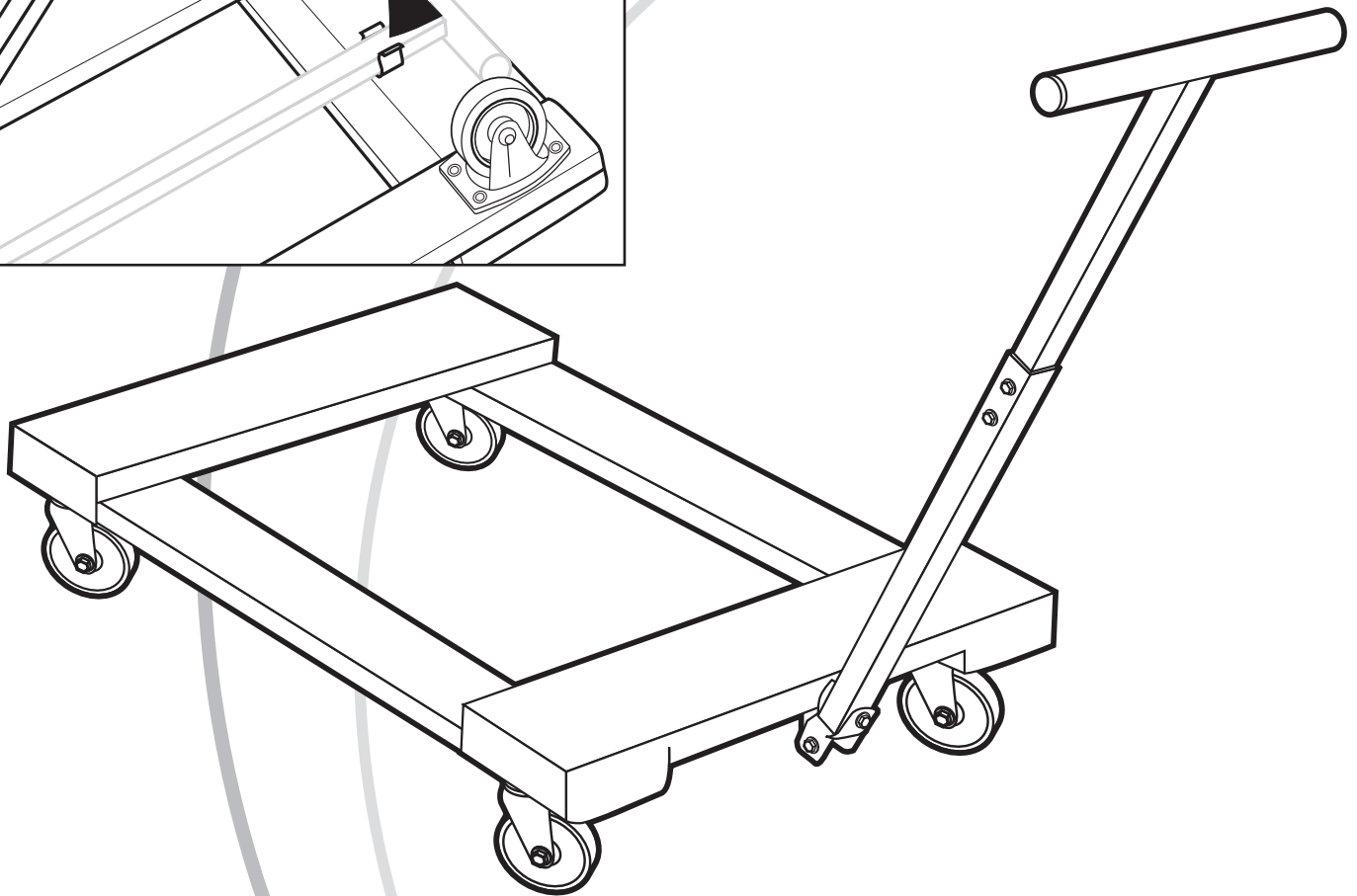


ASSEMBLY INSTRUCTIONS

Model MH1310



To extend the handle,
remove from metal clip on
the underside of the dolly
as shown.



⚠ CAUTION

Do not exceed the maximum load capacity of
1,000 lbs. Intended use is for furniture only.

Furniture Dolly With Handle

Tricam International
7677 Equitable Drive
Minneapolis, MN 55344
800-304-1316