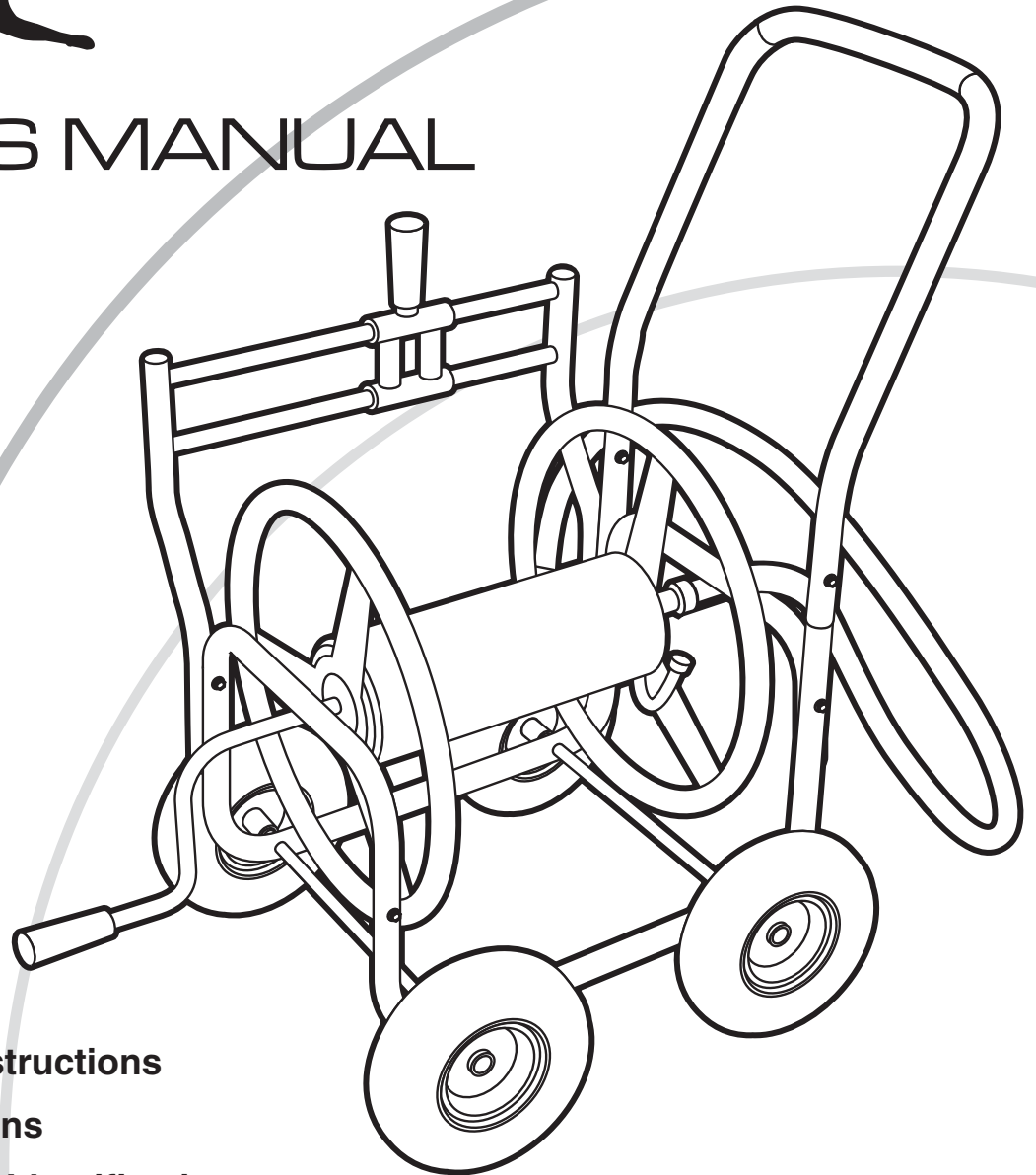




OWNER'S MANUAL

Model MH1331



- Important Safety Instructions
- Assembly Instructions
- Parts and Hardware Identification

Hose Reel Cart

With Adjustable Hose Reel Guide

CAUTION:

Read, understand and follow ALL instructions before using this product

Tricam International
7677 Equitable Drive
Minneapolis, MN 55344
www.black-cat-products.com
800-304-1316

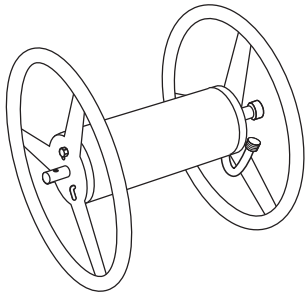
ASSEMBLY INSTRUCTIONS

Your Hose reel cart requires assembly. Account for all parts and hardware before beginning assembly. If any parts are missing, damaged or if you have questions or need additional instructions **DO NOT RETURN THIS PRODUCT TO THE RETAILER**, call the manufacturer at **1-800-304-1316**.

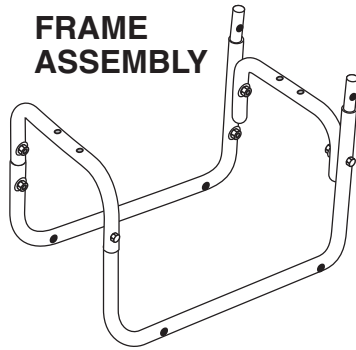
TOOLS REQUIRED FOR ASSEMBLY: Flat Head Screwdriver, Adjustable Wrench and/or Pliers.

SOME OF THE COMPONENTS ARE PRE-ASSEMBLED IN THE CARTON. PLEASE CHECK ALL PARTS AND HARDWARE BEFORE BEGINNING ASSEMBLY

DRUM ASSEMBLY

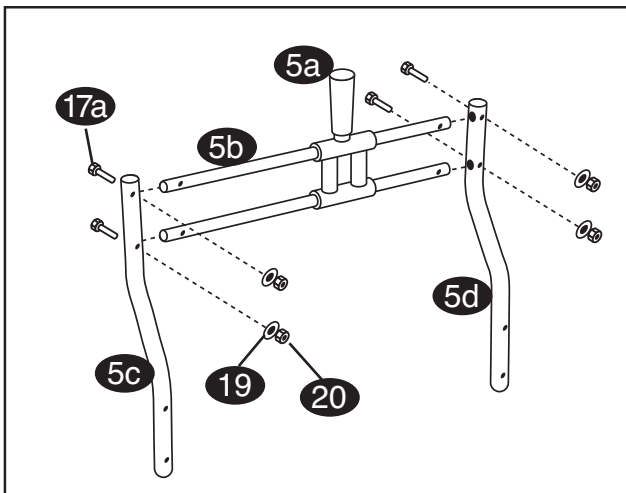
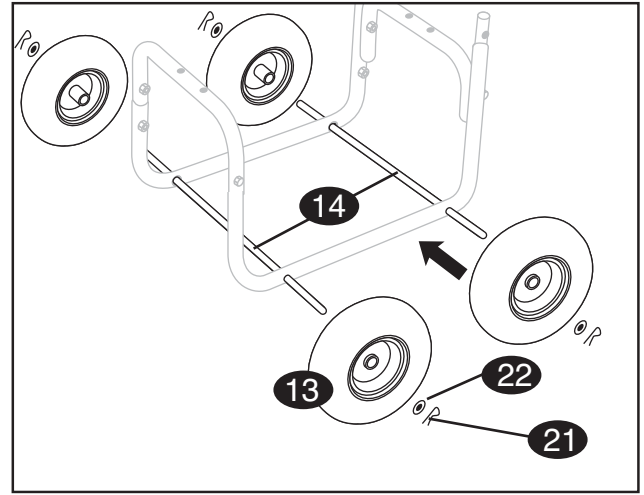


FRAME ASSEMBLY



STEP 1

Slide wheels (13) with the wheel hub to the inside onto the axle ends (14). Secure wheels with large washers (22) and cotter pins (21) .

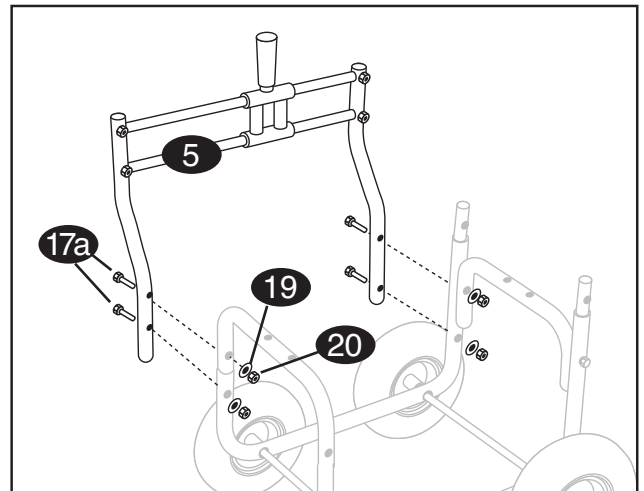


STEP 2

Slide hose guide handle (5a) onto the hose guide cross bars (5b). Line up the holes in the cross bars with the top holes in the left hose guide frame (5c) and insert short bolts (17a), washers (19), and nuts (20) - hand tighten only. Repeat this process for the right hose guide frame (5d) and tighten all bolts and nuts from this step.

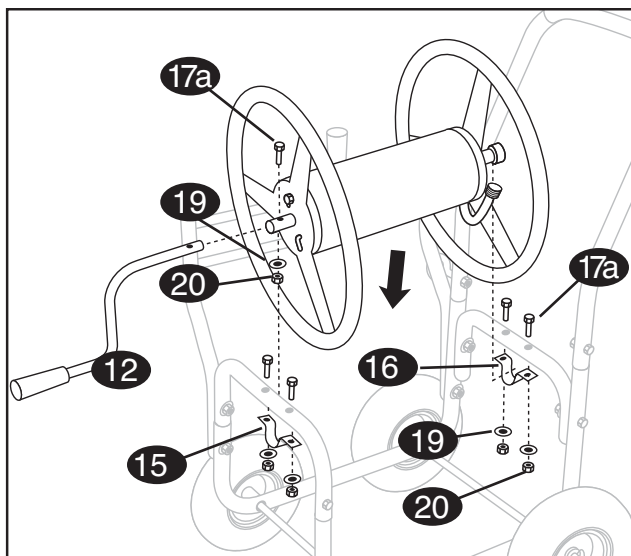
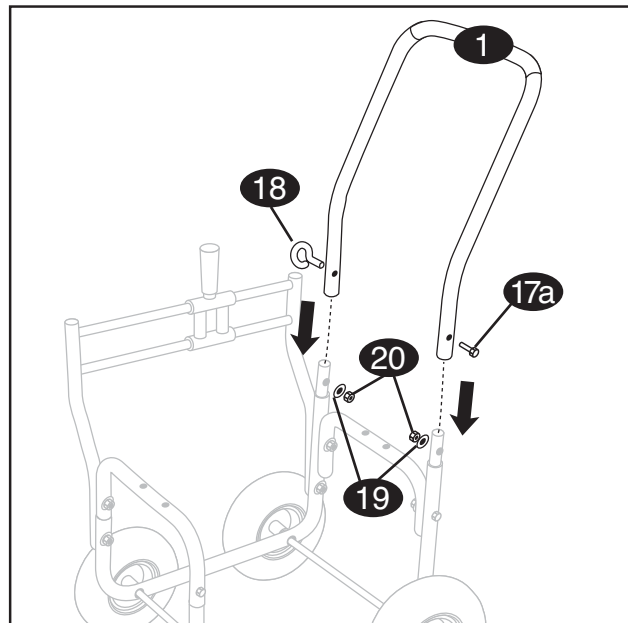
STEP 3

Remove the long bolts (17b), washers (19), and nuts (20) which were pre-assembled onto the frame assembly. Install the hose guide assembly (5) which was assembled in Step 3 to the side of the main frame assembly. Re-attach the long bolts (17b), washers (19), nuts (20), and tighten securely.



STEP 4

Slide the handle (1) onto the vertical posts located on the frame and align the holes. Secure the handle using short bolt (17a) , eye bolt (18), 2 washers (19) , and 2 nuts (20) .

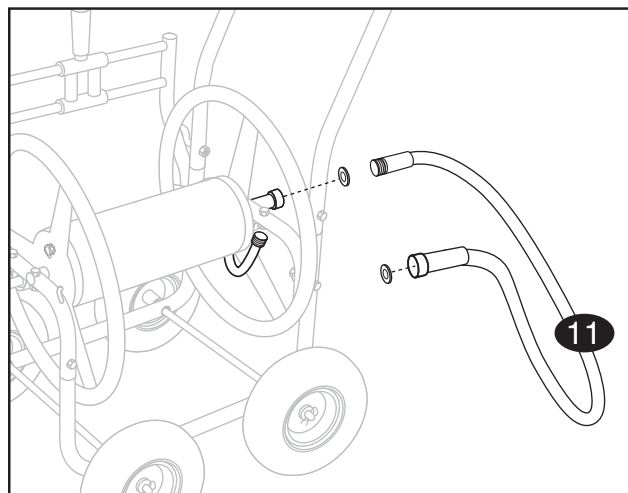


STEP 5

Install crank handle hub (15) onto the main frame with 2 short bolts (17a) , 2 washers (19) and 2 nuts (20). Do not tighten completely. Line up the drum assembly inside the main frame. Insert the crank handle through the crank handle hub (12) so that it supports one end of the drum assembly. While holding this in place, attach the hose coupler hub (16) to the main frame on the other end of the drum assembly with 2 short bolts (17a) , 2 washers (19) and 2 nuts (20) (do not tighten completely). Line up holes in the crank handle (12) and the drum assembly and insert short bolt (17a) , washer (19) and nut (20) . Tighten securely. Tighten the remaining nuts and short bolts from this step.

STEP 6

Feed the flexible hose through the eye bolt (18) on the handle before making any hose connections. Insert 1 rubber washer (23) into the female swivel coupling on the reel assembly, then connect the male end of the leader hose. Insert 1 rubber washer (23) into the female end of the water supply tube. Attach garden hose to threaded water supply tube and wind onto reel.



PARTS AND HARDWARE IDENTIFICATION

- | | | |
|----------------------------------|--------------------------------|------------------------------|
| 1 Push Handle (1) | 7 Hose Retainer (2) | 17a Short Bolts (11) |
| 2 Main Frame (2) | 8 "L" Rod (1) | 17b Long Bolts (4) |
| 3 Cross Brace (1) | 9 "J" Rod (1) | 18 Eye Bolt (1) |
| 4 Front Frame (1) | 10 Drum Axle (1) | 19 Washers (16) |
| 5 Hose Guide Assembly (1) | 11 Flexible Hose (1) | 20 Nuts (16) |
| 5a) Hose Guide Handle (1) | 12 Crank Handle (1) | 21 Cotter Pins (4) |
| 5b) Hose Guide Cross Bar (2) | 13 Wheels (4) | 22 Wheel Washers (4) |
| 5c) Left Hose Guide Frame (1) | 14 Axles (2) | 23 Rubber Washers (2) |
| 5d) Right Hose Guide Frame (1) | 15 Crank Handle Hub (1) | |
| 6 Drum Cylinder (1) | 16 Hose Coupler Hub (1) | |

EXPLODED DRAWING FOR ASSEMBLY

