



OWNER'S MANUAL

Model MH1970

- **Important Safety Instructions**
- **Assembly Instructions**
- **Parts and Hardware Identification**



Tricam International
7677 Equitable Drive
Minneapolis, MN 55344
www.black-cat-products.com
800-304-1316

3-Tier Service Cart

CAUTION:

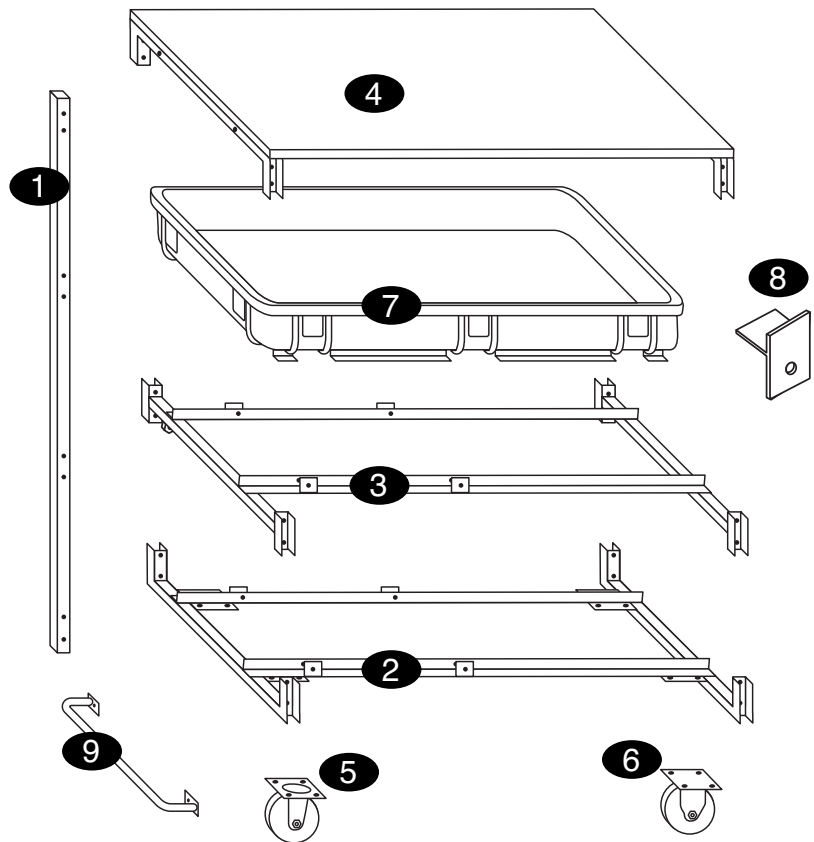
Read, understand and follow ALL instructions before using this product

IMPORTANT SAFETY INSTRUCTIONS

1. **READ ALL INSTRUCTIONS CAREFULLY BEFORE USE.** If you do not understand these instructions, need clarification or further explanation, please call our toll free answer line for assistance at **1-800-304-1316** Monday through Friday 8:00 a.m. until 5:00 p.m. CST.
2. Do not load Service Cart with more than 440 lbs.
3. Do not allow children to use unsupervised. This Service Cart is not a toy.
4. Always distribute payload evenly.
5. If any parts become damaged, broken or misplaced, do not use the Service Cart until replacement parts can be obtained.
6. Do not operate or use on objects that can cause damage to the tires.
7. **SAVE THESE INSTRUCTIONS.**

PARTS AND HARDWARE IDENTIFICATION

- 1 Corner Post (4)
- 2 Base Rack (1)
- 3 Middle Rack (2)
- 4 Top Rack w/ Wood Insert (1)
- 5 Swivel Caster (2)
- 6 Fixed Caster (2)
- 7 Tray (3)
- 8 Tray Clip (12)
- 9 Handle (1)

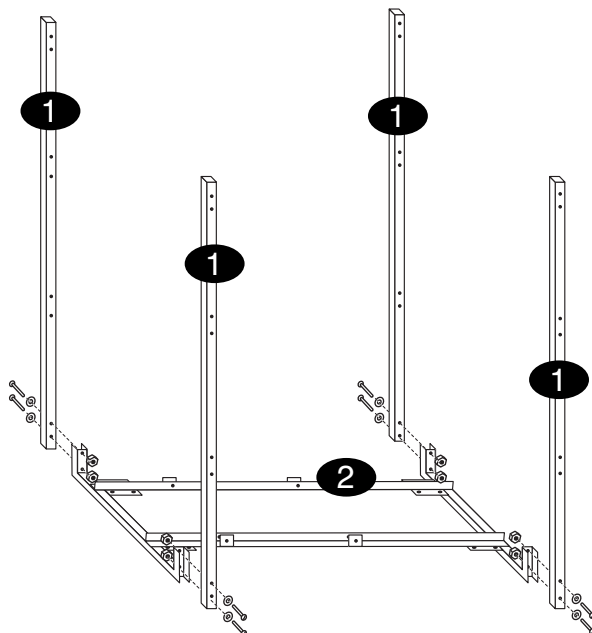


ASSEMBLY INSTRUCTIONS

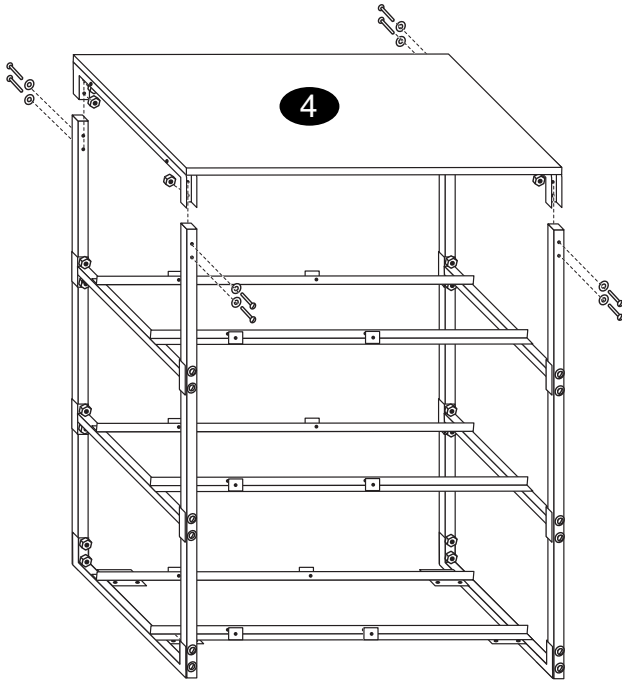
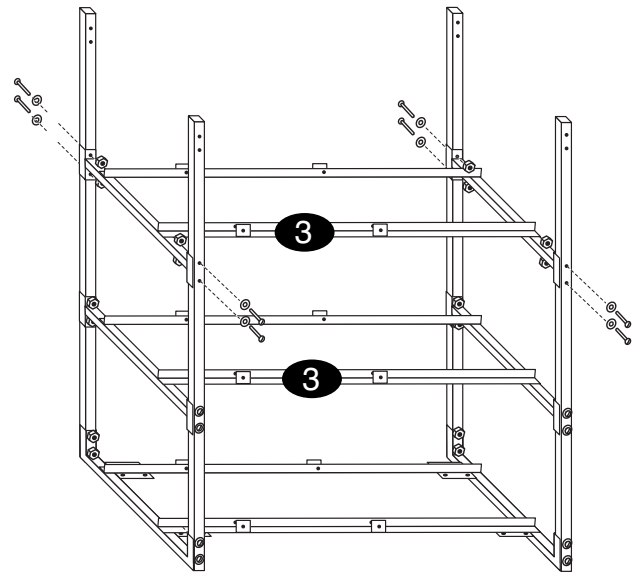
Your Service Cart requires assembly. Account for all parts and hardware before beginning assembly. If any parts are missing, damaged, or if you have questions or need additional instructions, **DO NOT RETURN THIS PRODUCT TO THE RETAILER**, call the manufacturer at **1-800-304-1316**.

Refer to the exploded drawing and the parts list below during assembly.

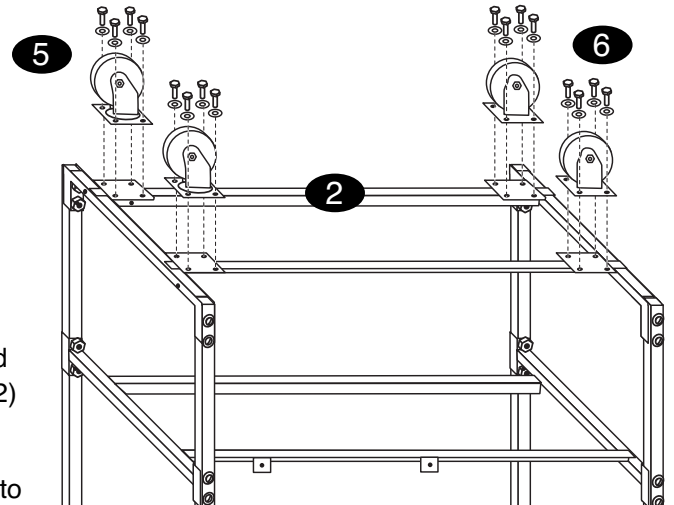
STEP 1: Attach the Corner Posts to the Base Rack using (8) Short Bolts, Washers, and Lock Nuts.



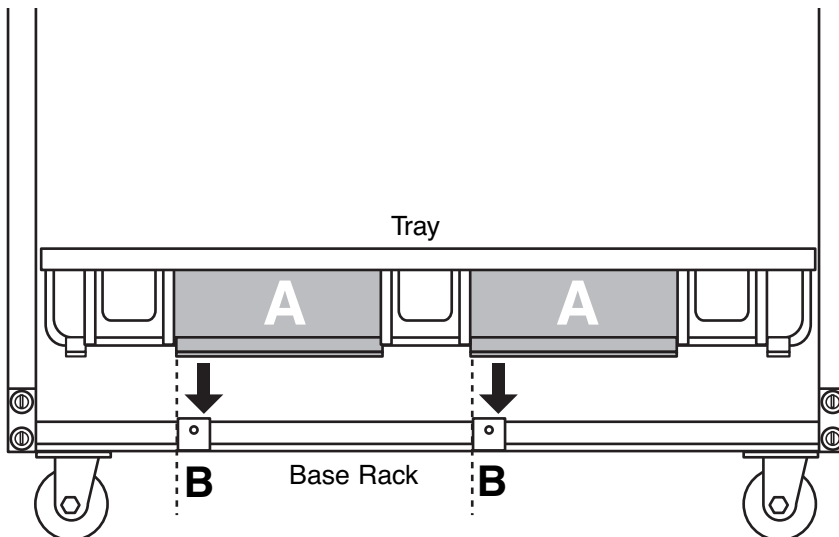
STEP 2: Attach the (2) Middle Racks to the Corner Posts using (16) Short Bolts, Washers, and Lock Nuts.



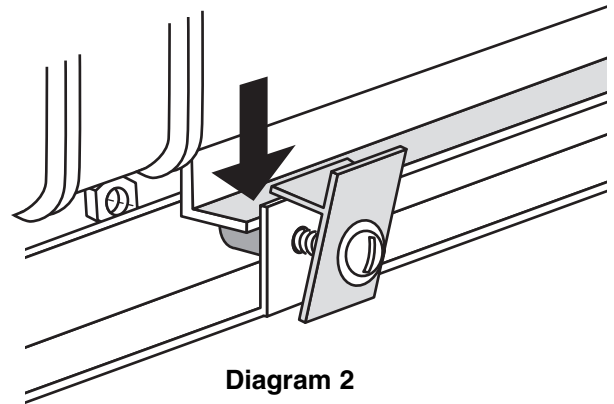
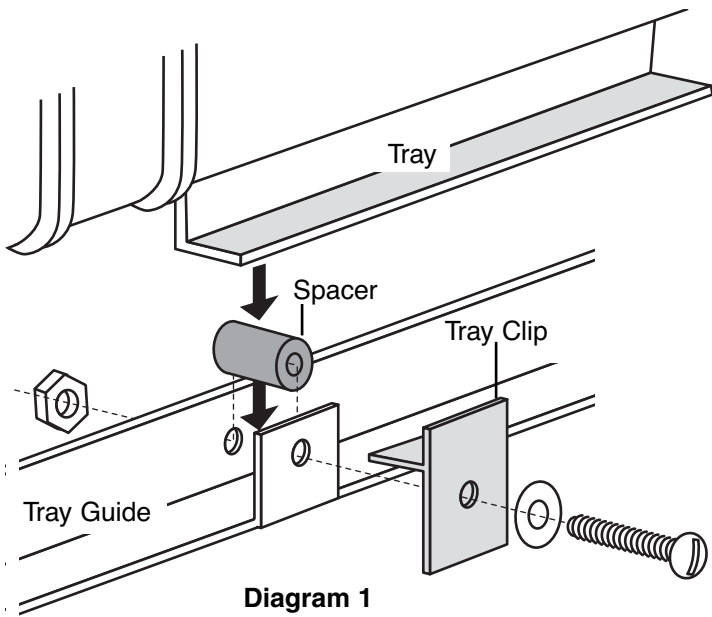
STEP 3: Attach the Top Rack to the Corner Posts using (8) Short Bolts, Washers, and Lock Nuts.



STEP 4: Invert the assembly and install the (2) Swivel Casters and (2) Fixed Casters using the (16) Hex Bolts and Lock Washers. Once assembled, turn the unit upright onto its casters.



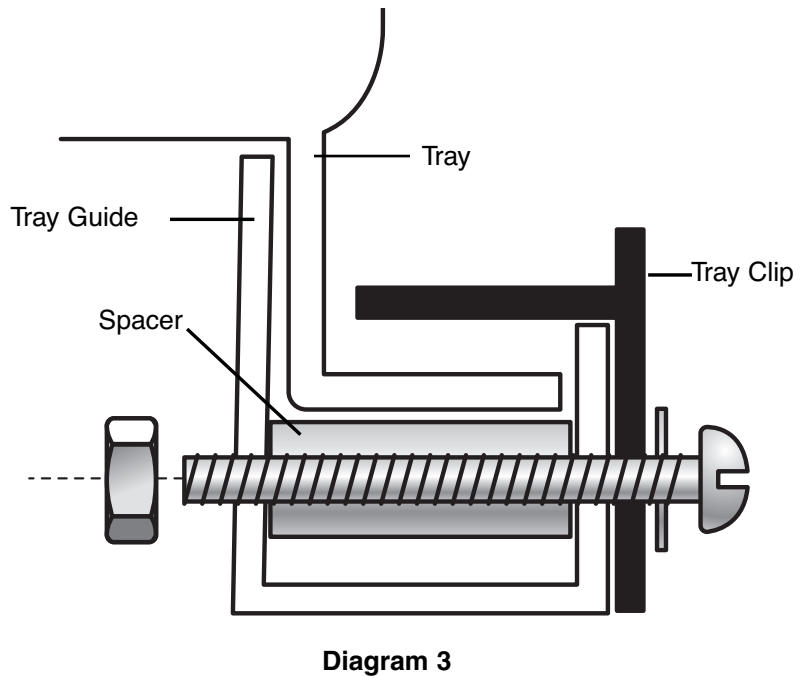
STEP 5: Set (1) Tray onto Base Rack so that shaded areas (A) line up with tabs (B).



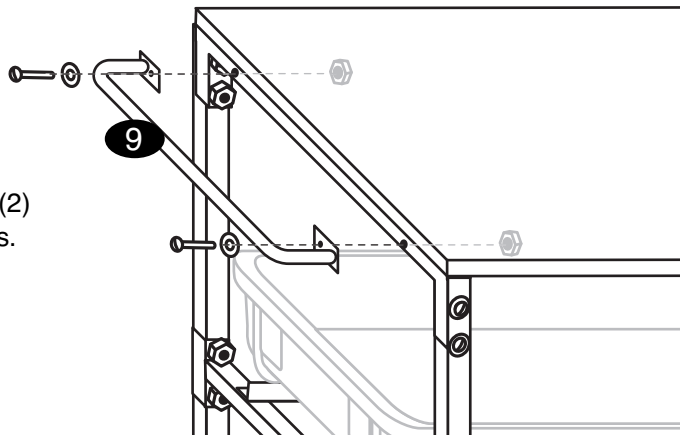
STEP 6: Insert (1) Long Bolt through (1) Washer, Tray Clip, and Spacer. Position the Tray between the Tray Clip and Spacer. (see diagram 2 & 3).

secure with (1) Lock Nut. Repeat this step for the other (3) Tray Clips.

STEP 7: Repeat Step 6 for the (2) remaining Trays and Middle Racks.



STEP 8: Install the Handle using (2) Short Bolts, Washers, and Lock Nuts.



EXPLODED DRAWING FOR ASSEMBLY

- 10** Long Bolt (12)
- 11** Short Bolt (34)
- 12** Spacer (12)
- 13** Washer (46)
- 14** Lock Nut (46)
- 15** Hex Bolt (16)
- 16** Lock Washer (16)

