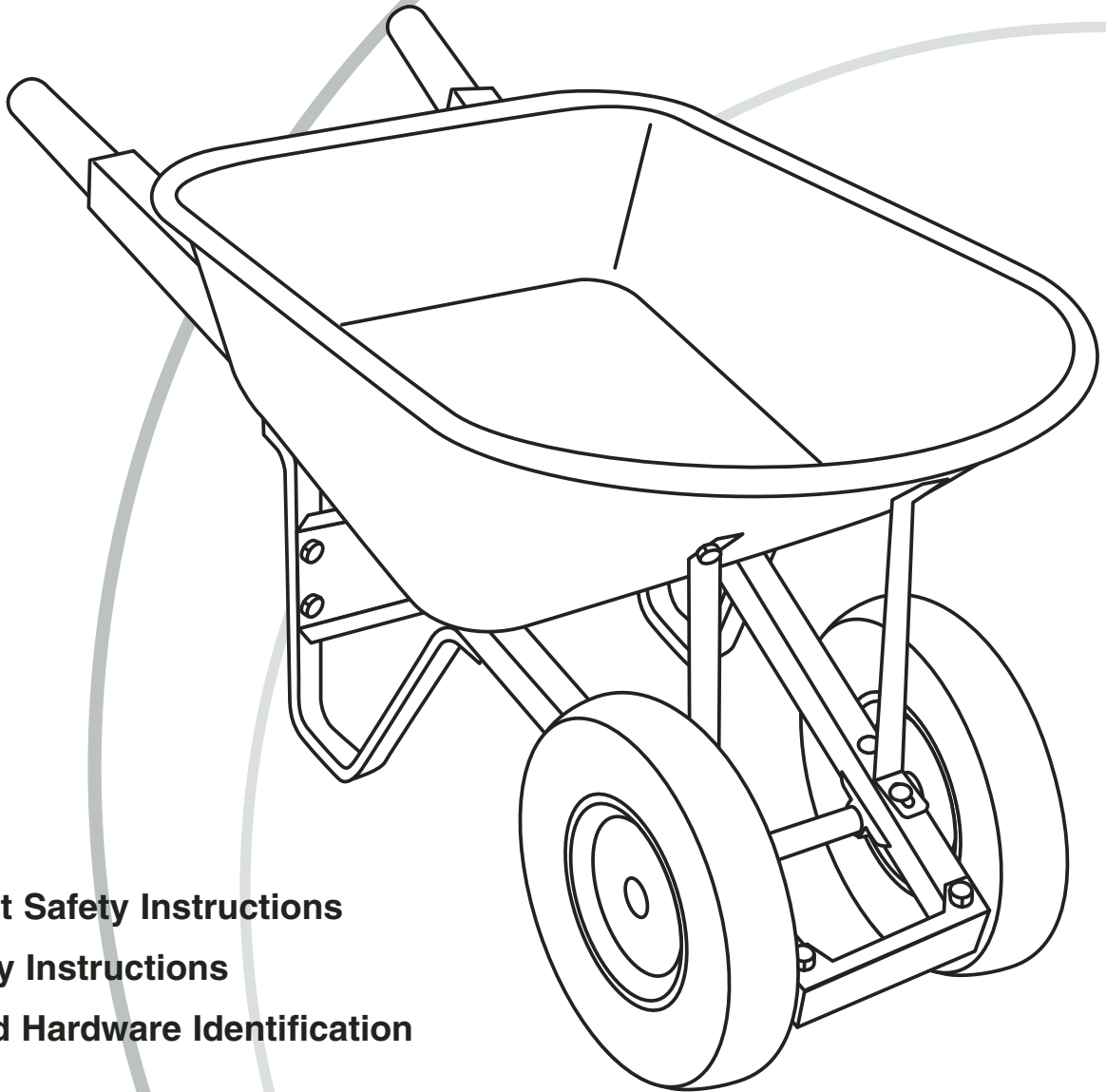




OWNER'S MANUAL

Model MH2190



- Important Safety Instructions
- Assembly Instructions
- Parts and Hardware Identification

10 Cubic Foot

Wheelbarrow

CAUTION:

Read, understand and follow ALL instructions before using this product

Tricam Industries
7677 Equitable Drive
Eden Prairie, MN 55344
800-304-1316

IMPORTANTANT SAFETY INSTRUCTIONS

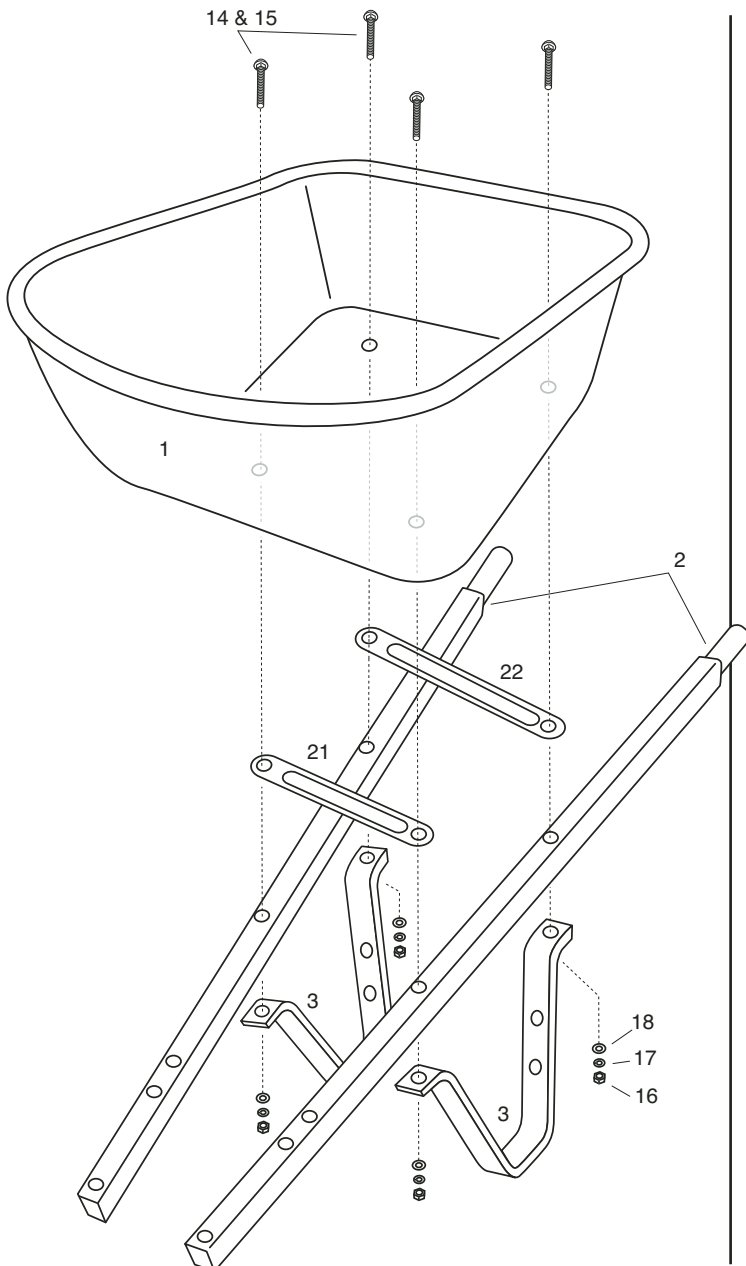
1. **Read and understand all warning and instructions prior to using the wheelbarrow.**
2. Always inspect the wheelbarrow for damage or excess wear prior to each use.
3. Never transport people using this wheelbarrow.

ASSEMBLY INSTRUCTIONS

Your wheelbarrow requires assembly. Account for all parts and hardware before beginning assembly. If any parts are missing, damaged or if you have questions or need additional instructions, **DO NOT RETURN THIS PRODUCT TO THE RETAILER**, call the manufacturer at **1-800-304-1316**.

Refer to the parts list on the following pages during assembly.

Do not tighten nuts until you have completed assembly of all parts!



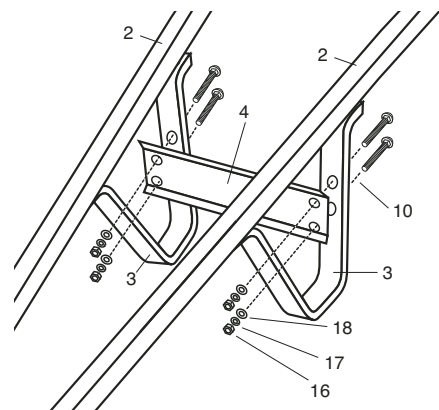
STEP 1 Place both handles on sawhorses or similar stand to firmly support the wheelbarrow during assembly.

STEP 2 Align the long and short cross braces over the handle carriage bolt holes.

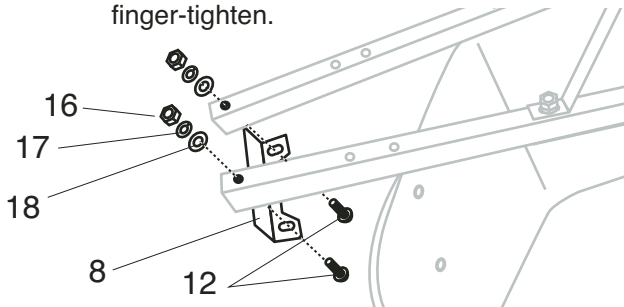
STEP 3 Insert M8x80mm carriage bolts thru each hole in the bottom of the tray. Position the tray carriage bolts so the bolts align to go thru the long and short braces and the handles.

STEP 4 Attach the right and left legs onto each set of carriage bolts using washers, lock washers and nuts. Finger-tighten only.

STEP 5 Install the leg brace with M8x20mm carriage bolts, flat washers, lock washers and nuts at each end of the brace.

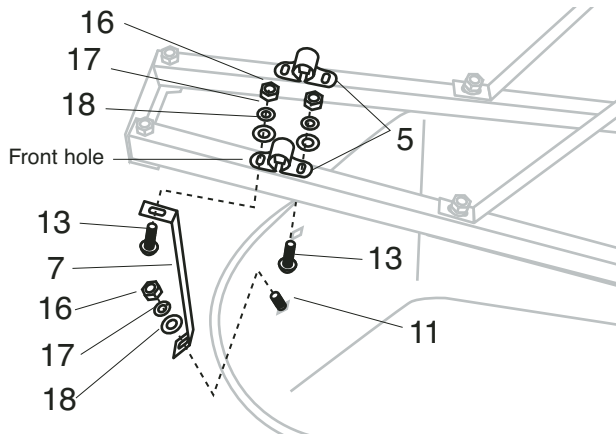


STEP 6 Install nose guard with M8x65mm carriage bolts. Using only the front bolt holes in the handles first, install the bolts thru the nose guard into the handles. Place washer, lock washer and nut on each bolt and only finger-tighten.

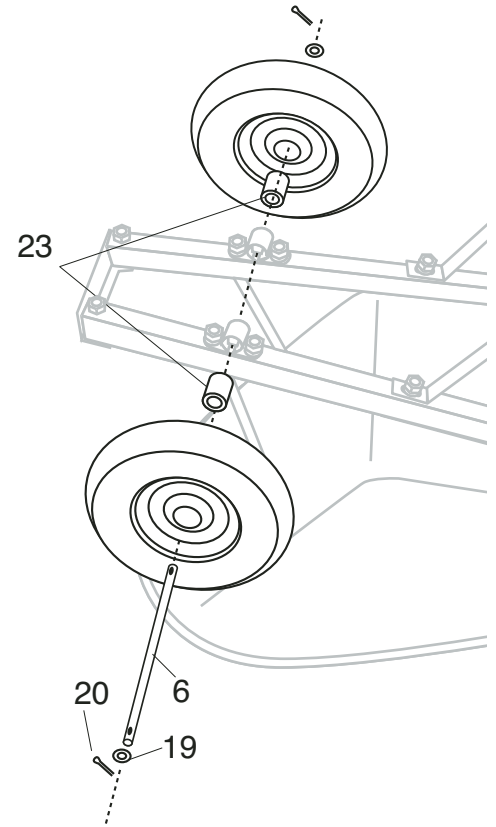


STEP 7 Install tray braces to front holes in tray with M8x20mm carriage bolts, washers, lock washers and nuts. Finger-tighten only.

STEP 8 Insert four M8x75mm carriage bolts through the holes in the top front of the handles. Note: Two of the bolts go through the bottom holes of the tray support braces first. Install both axle mounts. Finger-tighten assembly with washers, lock washers and nuts.



STEP 9 Slide axle through both axle mounts, centering axle to handles. Slide tire spacer over each end of the axle. Slide one tire over each end of the axle. Slide one tire washer over each end of the axle and secure with cotter pin.



STEP 10 Tighten all nuts securely with wrench.

PARTS & HARDWARE IDENTIFICATION

- | | | | |
|----|-------------------------------------|----|-------------------------------------|
| 1 | Tray - (1) | 13 | M8x75mm Carriage Bolts - (4) |
| 2 | Handles - (2) | | for axle mounts |
| 3 | Legs - (2) | 14 | M8x80mm Carriage Bolts - (2) |
| 4 | Leg Brace - (1) | | for rear of tray |
| 5 | Axle Mounts - (2) | 15 | M8x80mm Carriage Bolts - (2) |
| 6 | Axle - (1) | | for middle of tray |
| 7 | Tray Braces - (2) | 16 | Hex Nuts - (16) |
| 8 | Nose Guard - (1) | 17 | Lock Washers - (16) |
| 9 | Tires - (2) | 18 | Flat Washers - (16) |
| 10 | M8x20mm Carriage Bolts - (4) | 19 | Tire Washers - (2) |
| | for leg brace | 20 | Cotter Pins - (2) |
| 11 | M8x20mm Carriage Bolts - (2) | 21 | Cross Brace (short) - (1) |
| | for tray braces | 22 | Cross Brace (long) - (1) |
| 12 | M8x65mm Carriage Bolts - (2) | 23 | Tire Spacers - (2) |
| | for nose guard | | |