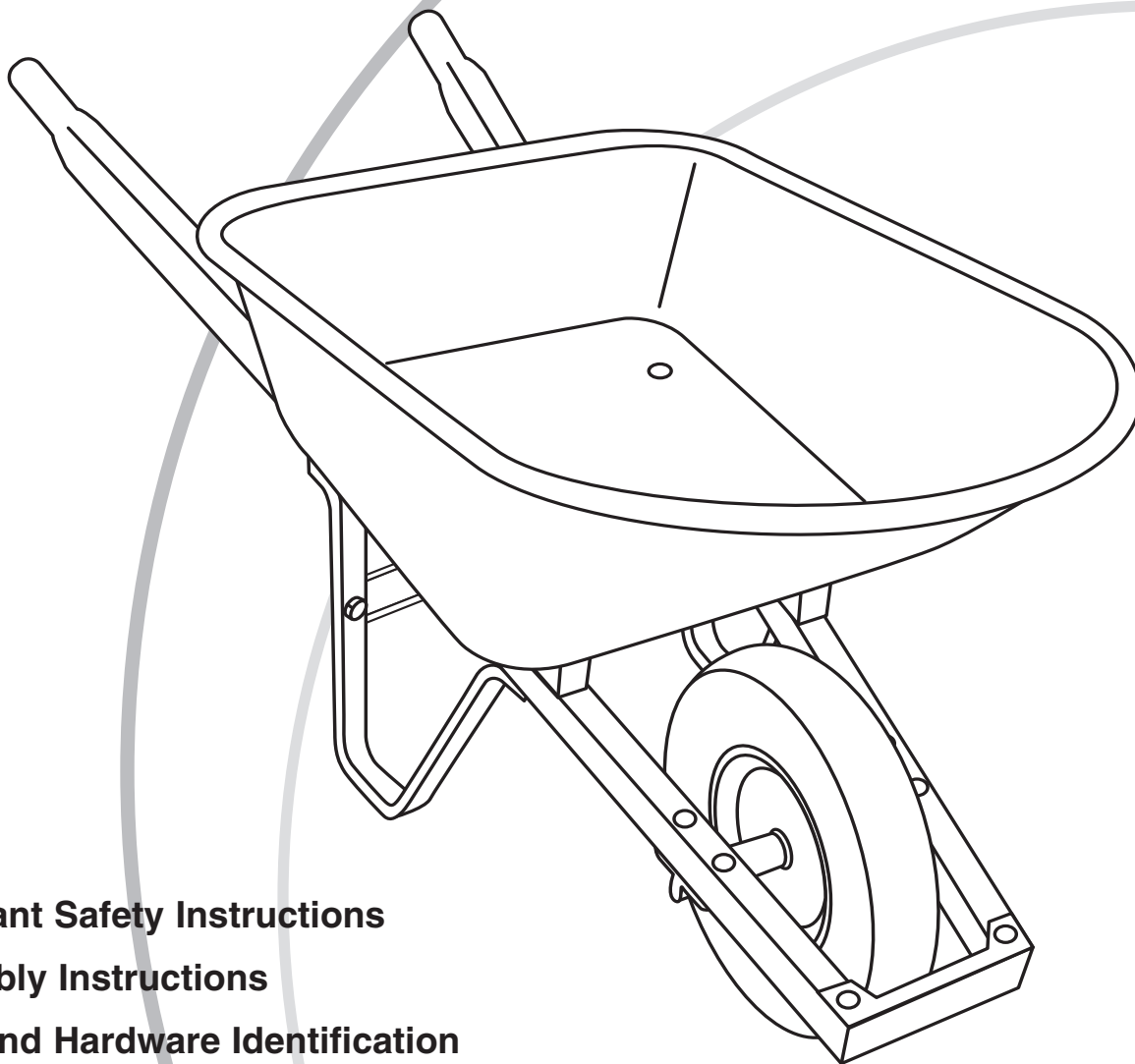




# OWNER'S MANUAL

Model MH2645



- Important Safety Instructions
- Assembly Instructions
- Parts and Hardware Identification

4 Cubic Foot

# *Wheelbarrow*

### **CAUTION:**

Read, understand and follow ALL instructions before using this product

Tricam  
7677 Equitable Drive  
Eden Prairie, MN 55344  
1-800-867-6763  
[www.tricam.com](http://www.tricam.com)

# IMPORTANT SAFETY INSTRUCTIONS

1. Read and understand all warning and instructions prior to using the wheelbarrow.
2. Always inspect the wheelbarrow for damage or excess wear prior to each use.
3. Never transport people using this wheelbarrow.
4. If any parts become damaged, broken or misplaced, do not use wheelbarrow until replacement parts have been obtained.
5. Do not use wheelbarrow on surfaces that can cause damage to the pneumatic tires or tubes.
6. KEEP THESE INSTRUCTIONS FOR FURTHER REFERENCE.

## ASSEMBLY INSTRUCTIONS

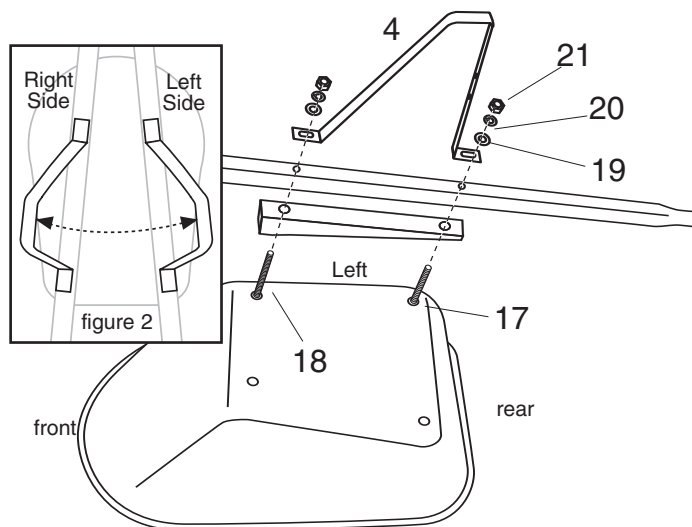
Your wheelbarrow requires assembly. Account for all parts and hardware before beginning assembly. If any parts are missing or damaged, or if you have any questions or need additional instructions, **DO NOT RETURN THIS PRODUCT TO THE RETAILER**, call the manufacturer at 1-800-867-6763.

Refer to the parts list on the following pages during assembly.

**Do not tighten nuts until you have completed assembly of all parts!**

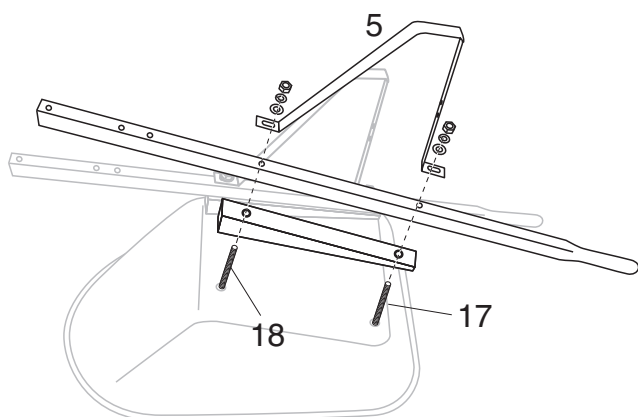
### STEP 1

For easy installation, assemble one handle at a time. To do so, insert one 115 mm bolt through the front left hole in the tray per the diagram. Slide the left wood spacer, left handle, and left leg over the bolt end. Insert (1) washer, lock washer, and nut, and hand-tighten only. Position the wood spacer, handle, and leg so that the holes line up with the hole back left hole in the tray. Insert the 80 mm bolt, washer, lock washer, and nut, and hand-tighten only.



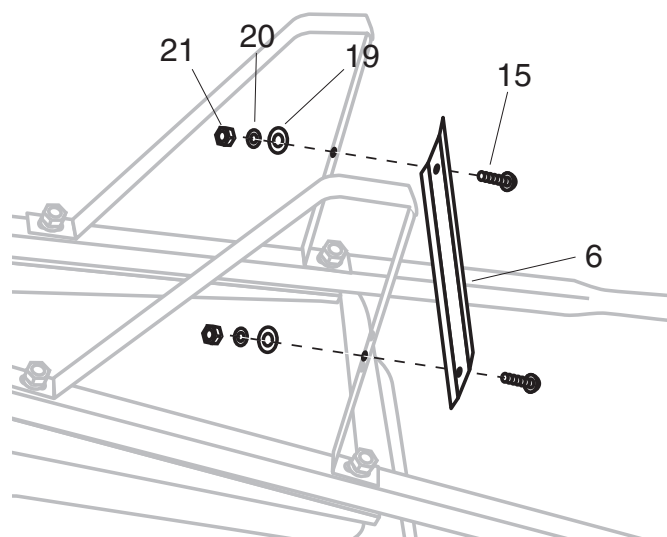
### STEP 2

Repeat step 1 for the right wood spacer, right handle, and right leg (hand-tighten only).



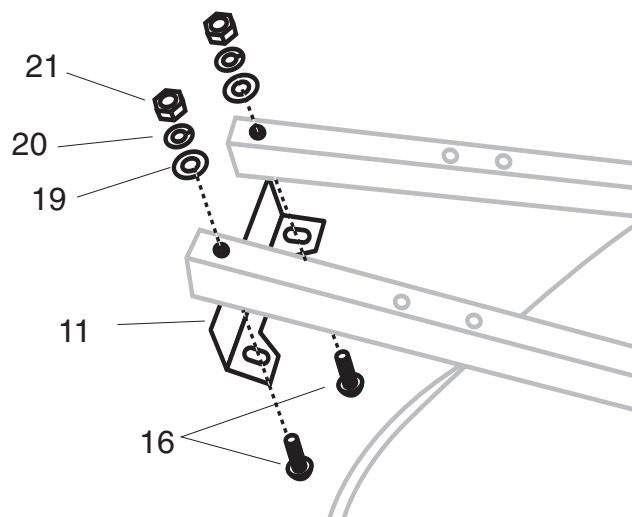
### STEP 3

Install leg brace with (2) 20 mm bolts, washers, lock washers, and nuts (hand-tighten only).



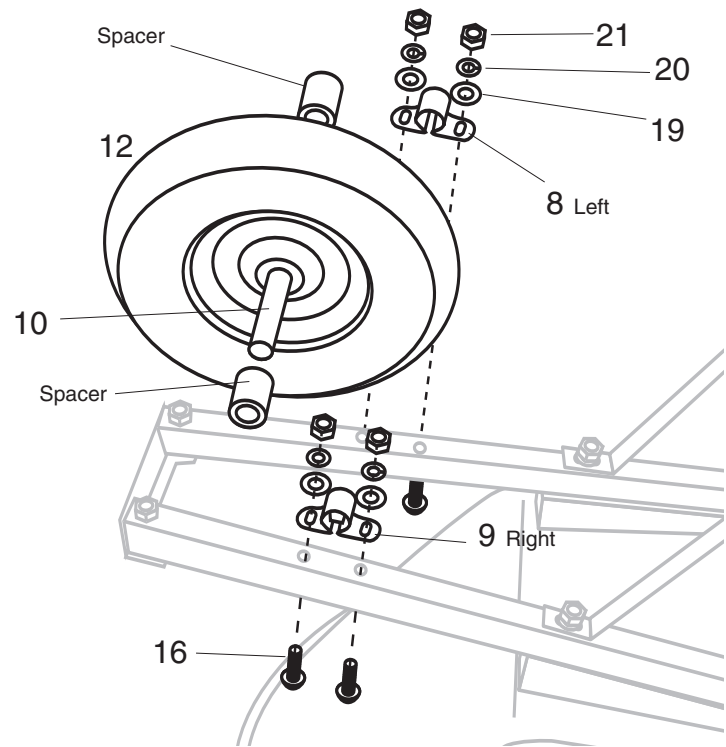
### STEP 4

Install the nose guard per the diagram using (2) 55 mm bolts, washers, lock washers, and nuts (hand-tighten only).



## STEP 5

Insert the axle through the wheel. Slide spacers onto each end of the axle. Attach the left and right axle mounts over the axle ends and position the wheel assembly over the holes in the handles. Insert (4) 55 mm bolts through the front and back holes in the handles and the axle mounts, and attach using (4) washers, lock washers, and nuts.



## STEP 6

Tighten all nuts from all steps completely using a wrench or socket!

**Tighten all nuts securely with wrench.**

## PARTS & HARDWARE IDENTIFICATION

PARTS LIST	QTY	HARDWARE DESCRIPTION	
1. Tray	1		
2. Handle (Left)	1	15. 20 mm Bolt	2
3. Handle (Right)	1	16. 55 mm Bolt	6
4. Leg (Left)	1	17. 80 mm Bolt	2
5. Leg (Right)	1	18. 115 mm Bolt	2
6. Leg Brace	1	19. Washer	12
7. Wood Spacer	2	20. Lock Washer	12
8. Axle Mount (Left)	1	21. Nut	12
9. Axle Mount (Right)	1		
10. Axle	1		
11. Nose Guard	1		
12. 13 in (33 cm) Tire	1		
13. Wheel Spacers	2		

### WARNING

THIS PRODUCT MAY CONTAIN A CHEMICAL KNOWN TO THE STATE OF CALIFORNIA TO CAUSE CANCER, OR BIRTH DEFECTS OR OTHER REPRODUCTIVE HARM.

### ADVERTENCIA

ESTE PRODUCTO PUEDE CONTENER UN COMPONENTE QUIMICO CONOCIDO EN EL ESTADO DE CALIFORNIA COMO CAUSANTE DE CÁNCER, DEFECTOS DE NACIMIENTO Y OTROS DAÑOS AL SISTEMA REPRODUCTOR.