



# Pull-Behind Poly Garden Cart



## Owners Manual Model YRD100ND

- Important Safety Instructions
- Assembly Instructions
- Parts and Hardware Identification

**CAUTION:** Read, understand and follow ALL instructions before using this product.

**WARNING:** Not for recreational use. Persons should never ride in the cart.

Questions, problems, or missing parts? Before returning to your retailer, visit us online at [www.tricam.com](http://www.tricam.com) and complete the replacement parts submission form or call our customer service department at 1-800-867-6763, 9 a.m. - 4 p.m., CST, Monday-Friday.

For product inquiries:  
Tricam  
7677 Equitable Drive  
Eden Prairie, MN 55344  
1-800-867-6763  
[www.tricam.com](http://www.tricam.com)

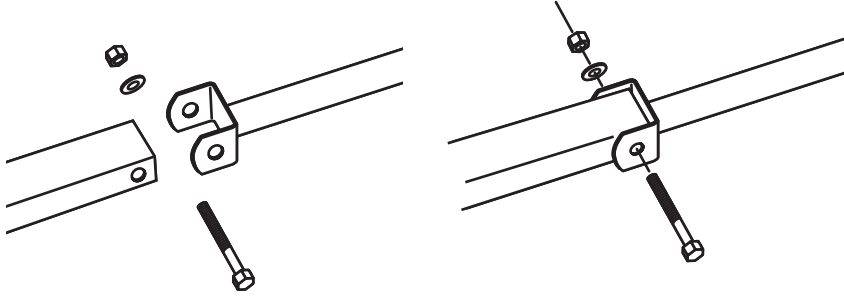


# CAUTION

DO NOT EXCEED MAXIMUM OVERALL LOAD CAPACITY 400 LBS.  
PERSON SHOULD NEVER RIDE IN POLY GARDEN CART.  
WEIGHT RATING IS BASED ON AN EVENLY DISTRIBUTED LOAD.

## Step 6

Attach the handle using the M8x60 hex bolt (1), M8 washer (1), and M8 lock nut (1). Tighten securely.

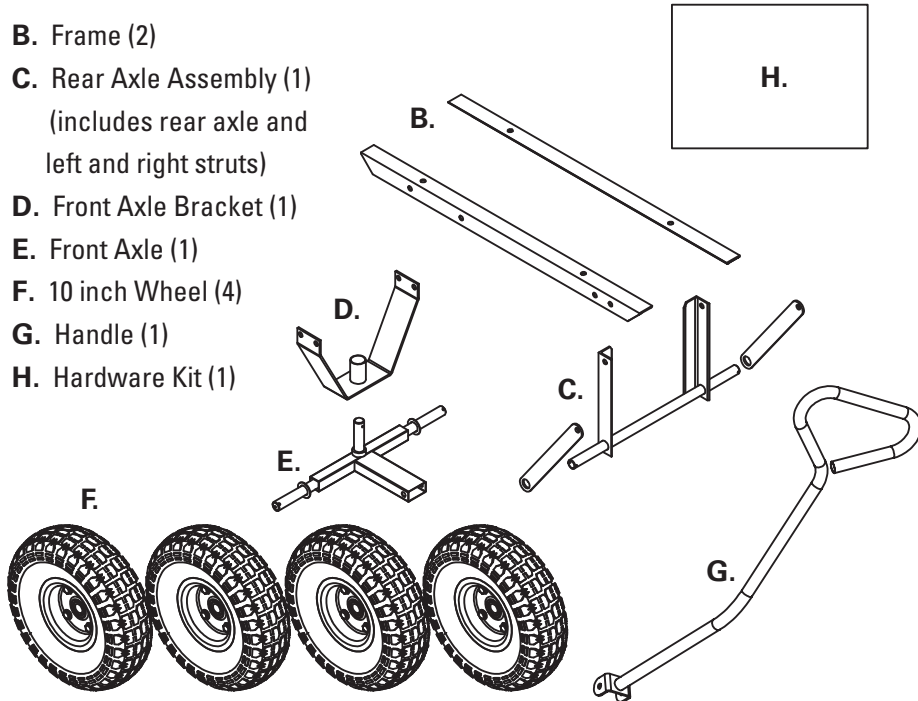


## Replacement Parts List

For replacement parts, please visit us online at [www.tricam.com](http://www.tricam.com) to complete the replacement parts submission form or call our customer service department at 1-800-867-6763, 9 a.m. - 4 p.m., CST, Monday - Friday.

## Parts List

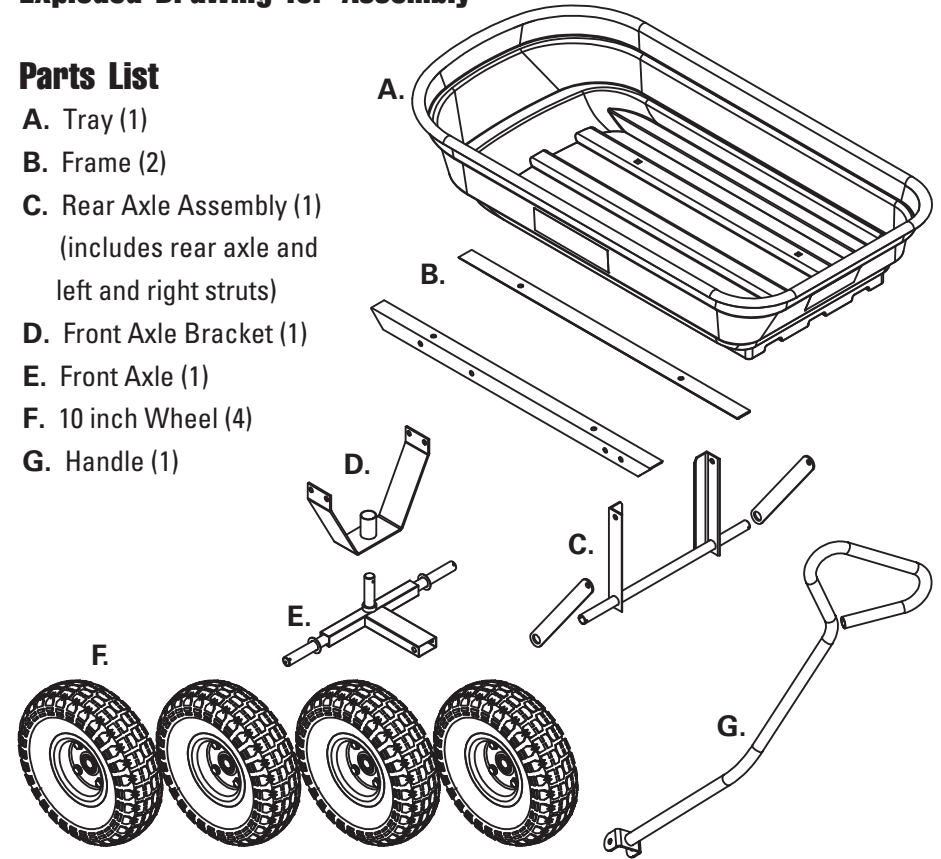
- B. Frame (2)
- C. Rear Axle Assembly (1)  
(includes rear axle and left and right struts)
- D. Front Axle Bracket (1)
- E. Front Axle (1)
- F. 10 inch Wheel (4)
- G. Handle (1)
- H. Hardware Kit (1)



## Exploded Drawing for Assembly

### Parts List

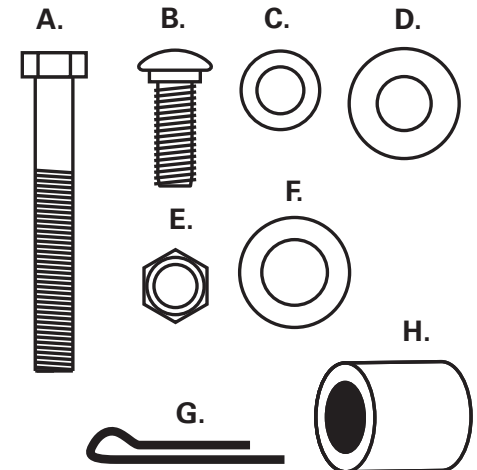
- A. Tray (1)
- B. Frame (2)
- C. Rear Axle Assembly (1)  
(includes rear axle and left and right struts)
- D. Front Axle Bracket (1)
- E. Front Axle (1)
- F. 10 inch Wheel (4)
- G. Handle (1)



## Hardware List

- A. M8x60 Hex Bolt (1)
- B. M8x20 Carriage Bolt (12)
- C. M8 Washer (13)
- D. M11 Washer (4)
- E. M8 Lock Nut (13)
- F. M16 Washer (4)
- G. Cotter Pin (4)
- H. Wheel Spacer (2)

Images are not to scale



## Important Safety Instructions

1. **READ ALL INSTRUCTIONS CAREFULLY BEFORE USE.** If you do not understand these instructions, need clarification or further explanation, please call our toll free answer line for assistance at **1-800-867-6763**.
2. Do not load cart with more than 400 lbs / 181 kg.
3. Do not allow children to use the cart unsupervised. This cart is not a toy.
4. This product is not to be used for transporting passengers.
5. This product is not to be used for highway use.
6. Do not load any items on the top edges of the tray.
7. If any parts become damaged, broken or misplaced, do not use the cart until replacement parts can be obtained.
8. Do not operate or use on objects that can cause damage to the pneumatic tires or tubes. Over-inflation of a tire can result in serious injury. Do not exceed the maximum tire PSI. **Do not inflate tires more than 30 PSI / 2.07 BAR.**
9. It is recommended the cart be inspected for damage before each use.
10. **SAVE THESE INSTRUCTONS**

## Assembly Instructions

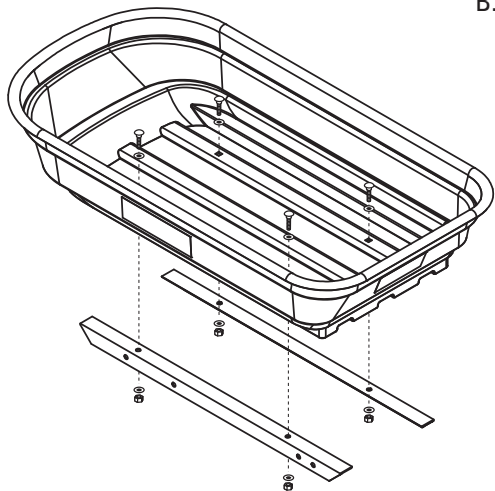
Your Poly Garden Cart requires assembly. Account for all parts and hardware before beginning assembly. If any parts are missing or damaged, or if you have any questions or need additional instructions, call the manufacturer at **1-800-867-6763**.

Tools required for assembly: Pliers, adjustable wrenches and/or socket set.

**NOTE: During each step of assembly, assemble all hardware and hand tighten. Once all the hardware is installed for that particular step, tighten all hardware.**

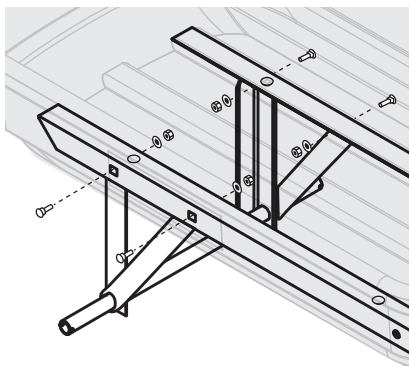
### Step 1

Attach the frame to the tray using M8x20 carriage bolts (4), M11 washers (4), M8 washers (4), and M8 lock nuts (4). Tighten all bolts.



### Step 2

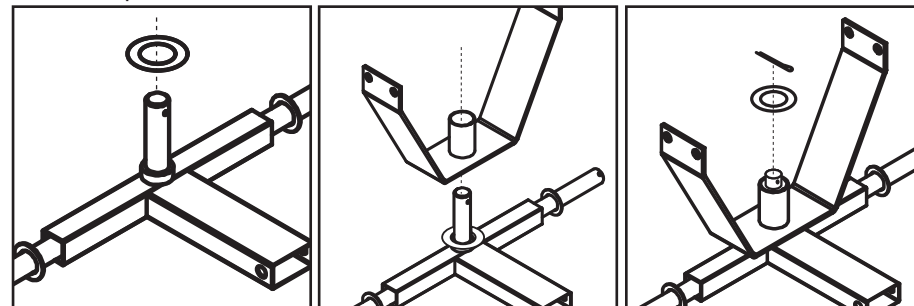
- A. Attach the rear axle assembly to the frame using M8x20 carriage bolts (2), M8 washers (2), and M8 lock nuts (2).
- B. Attach the left and right rear struts to the frame using M8x20 carriage bolts (2), M8 washers (2), and M8 lock nuts (2) as shown below.



### Step 3

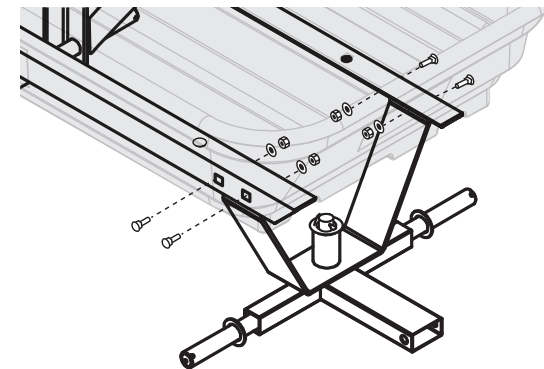
Assemble the front axle assembly using front axle, front axle support bracket, M16 washers (2) and cotter pin.

1. First, place a M16 washer on the front axle steering rod.
2. Next, place the front axle support bracket on the front axle steering rod.
3. Finally, place a M16 washer on the front axle steering rod and secure using a cotter pin.



### Step 4

Assemble the front axle assembly to the frame using M8x20 carriage bolts (4), M8 washers (4), and M8 lock nuts (4).



### Step 5

Attach the wheels in the following order:

1. Place the wheel spacers (2) onto the rear axle.
2. Place the wheels onto the front and rear axles with the valve stem facing out.
3. Secure the wheels using M16 washers (4) and cotter pins (4).

