



Pull-Behind Poly Dump Cart



Owners Manual Model YRD200-14

- Important Safety Instructions
- Assembly Instructions
- Parts and Hardware Identification

U.S. Patent #s: 6,851,756, 7,390,065, 7,818,865, and 7,887,141
Canada Patent: 2,590,949
China Patent #: 中国发明专利ZL 200680000909.0
Other U.S. and Foreign Patents Pending

CAUTION: Read, understand and follow ALL instructions before using this product.

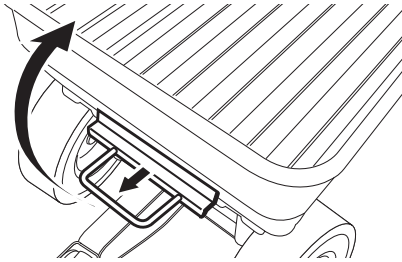
WARNING: Not for recreational use. Persons should never ride in the dump cart.

Questions, problems, or missing parts? Before returning to your retailer, visit us online at www.tricam.com and complete the replacement parts submission form or call our customer service department at 1-800-867-6763, 9 a.m. - 4 p.m., CST, Monday-Friday.

For product inquiries:
Tricam
7677 Equitable Drive
Eden Prairie, MN 55344
800-867-6763
www.tricam.com

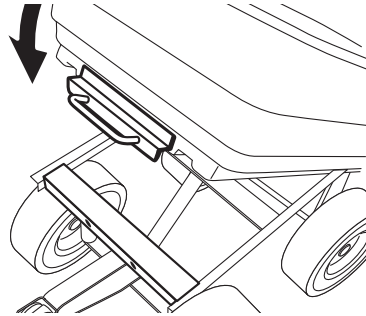
Using the Dumping Feature

To operate the dumping feature, pull the dumping release handle outward to release the plastic tray from the locking mechanism. Lift up the release handle to rotate cart upward into the dumping position.



Returning the Plastic Tray to the Lowered Position

Rotate the plastic tray back down to the lowered position. Make sure the dumping release handle is locked into place when the cart is in the lowered position.



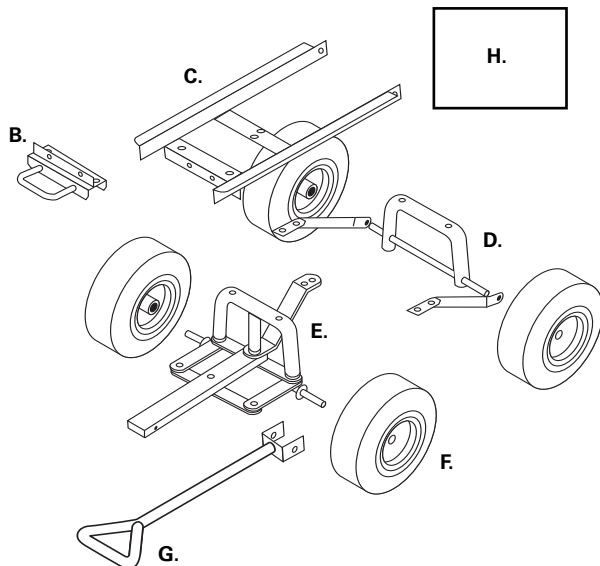
CAUTION

**DO NOT EXCEED MAXIMUM OVERALL LOAD CAPACITY 600 LBS.
MAXIMUM DUMPING LOAD CAPACITY 300 LBS.
WEIGHT RATING BASED ON EVENLY DISTRIBUTED LOAD.**

Replacement Parts List

For replacement parts, please visit us online at www.tricam.com to complete the replacement parts submission form or call our customer service department at 1-800-867-6763, 9 a.m. - 4 p.m., CST, Monday - Friday.

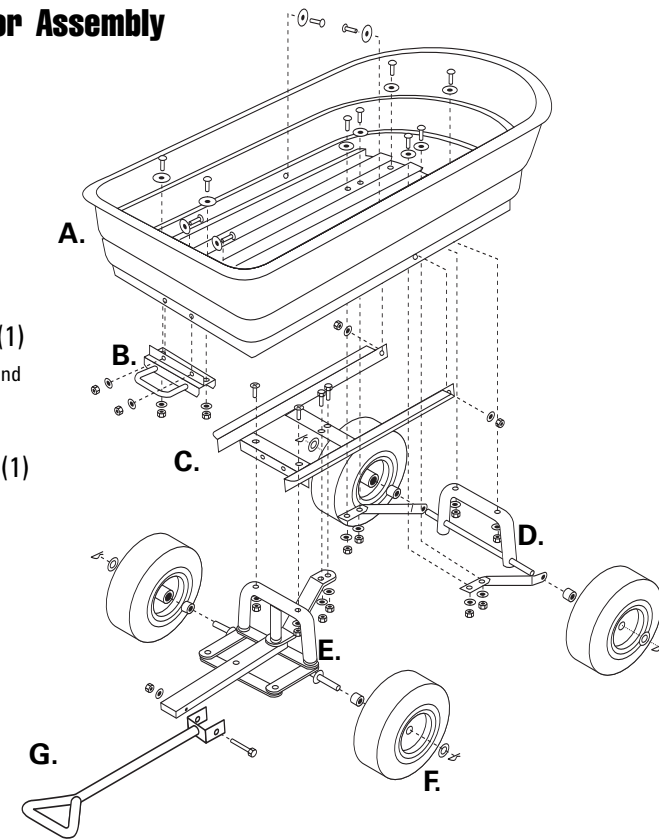
- B. Lock Assembly
- C. Front Frame
- D. Rear Axle Assembly
- E. Front Axle Assembly
- F. Tire
- G. Handle
- H. Hardware Kit



Exploded Drawing for Assembly

Parts List

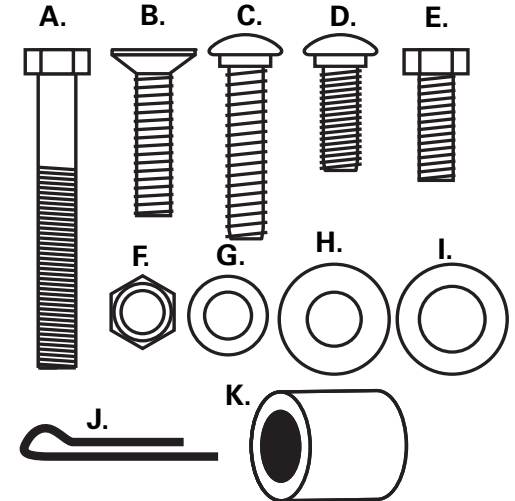
- A. Tray (1)
- B. Lock Assembly (1)
- C. Front Frame (1)
- D. Rear Axle Assembly (1)
(includes rear axle and left and right struts)
- E. Front Axle Assembly (1)
- F. 10 inch wheel (4)
- G. Handle (1)



Hardware List

Images are not to scale

- A. M8x60 Hex Head Bolt (1)
- B. M8x40 Phillips Flat Head Bolt (2)
- C. M8x45 Carriage Bolt (2)
- D. M8x20 Carriage Bolt (10)
- E. M8x20 Hex Head Bolt (2)
- F. M8 Lock Nut (17)
- G. M8 Washer (17)
- H. M11 Washer (12)
- I. M16 Washers (4)
- J. Cotter Pin (4)
- K. Wheel Spacers (4)



Important Safety Instructions

1. READ ALL INSTRUCTIONS CAREFULLY BEFORE USE. If you do not understand these instructions, need clarification or further explanation, please call our toll free answer line for assistance at **1-800-867-6763**.
2. Do not load the cart with more than 600lb (272kg). Do not use the dumping feature of the cart with more than 300lb (136kg). The weight rating is based on an evenly distributed load.
3. Do not allow children to use the cart without supervision. This cart is not a toy.
4. Do not use this cart for transporting passengers.
5. This cart is not intended for highway use.
6. Do not exceed 5 mph.
7. Do not load any items on the top edges of the tray.
8. If any parts become damaged, broken or misplaced, do not use this cart until replacement parts have been obtained.
9. Do not use this cart on surfaces or for transporting objects than can cause damage to the pneumatic tires or tubes.
Do not inflate the tires to more than 30 PSI (2.07 BAR).
10. It is recommended that the cart be inspected for damage before each use.
11. KEEP THESE INSTRUCTIONS FOR FURTHER REFERENCE.

Assembly Instructions

Your cart requires assembly. Account for all parts and hardware before beginning assembly. If any parts are missing, damaged or if you have any questions or need additional instructions DO NOT RETURN THIS PRODUCT TO THE RETAILER, visit us at www.tricam.com to complete the replacement parts submission form or call our customer service department at 1-800-867-6763.

Tools required for assembly: standard screwdriver, phillips screwdriver, pliers and socket set (or two adjustable wrenches).

Note: During assembly of each step of assembly, assemble all hardware and hand tighten. Once all hardware is installed for this particular step, tighten all hardware.

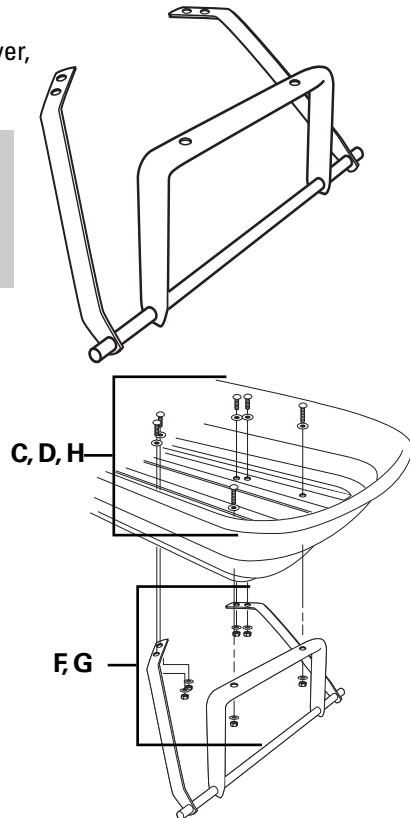
Step 1

Locate the rear axle assembly (the left and right rear struts are pre-assembled to the rear axle frame as shown below).

Step 2

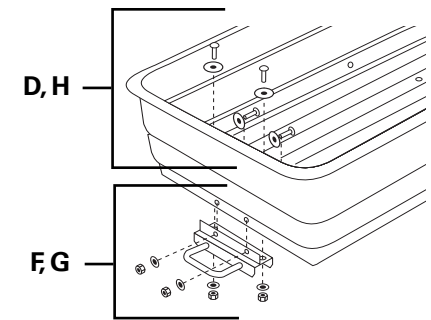
Attach the rear axle assembly to the tray using M8x45 carriage bolts (2), M11 washers (2), M8 washers (2), and M8 lock nuts (2).

Attach the left and right rear struts to the tray using M8x20 carriage bolts (4), M11 washers (4), M8 washers (4), and M8 lock nuts (4).



Step 3

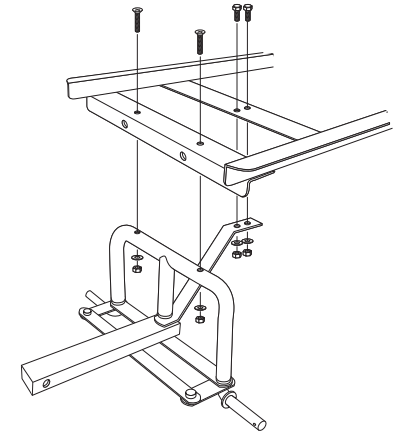
Attach the dump lock assembly to the tray using M8x20 carriage bolts (4), M11 washers (4), M8 washers (4), and M8 lock nuts (4).



Step 4

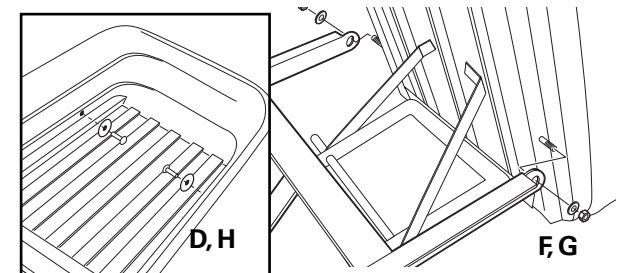
Attach the front axle assembly to the front frame using M8x40 Phillips flat head bolts (2), M8 lock nuts (2), and M8 washers (2).

Attach the front axle support arm to the frame using M8x20 hex head bolts (2), M8 lock nuts (2), and M8 washers (2).



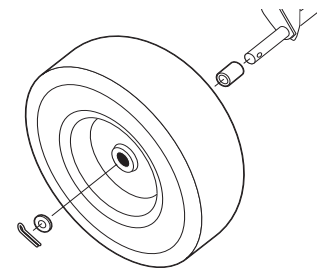
Step 5

Attach the frame to the tray using M8x20 carriage bolts (2), M11 washers (2), M8 washers (2), and M8 lock nuts (2).



Step 6

Attach the wheels by first placing the wheel spacers (4) onto each axle, then placing the wheel (4) onto each axle and finally placing the wheel washers (4). Insert the cotter pins (4) into the hole at each end of the axles and bend back the ends of the cotter pins with pliers to keep them in place.



Step 7

Attach the handle to the yoke using M8x60 hex bolt (1), M8 lock nut (1), and M8 washer (1).

