



## **DUMP CART**

### **OWNER'S MANUAL**



#### **WARNING:**

Read carefully and understand all **ASSEMBLY AND OPERATION INSTRUCTIONS** before operating. Failure to follow the safety rules and other basic safety precautions may result in serious personal injury.

**Item# 46531**

Thank you very much for choosing a Strongway product! For future reference, please complete the owner's record below:

Model: \_\_\_\_\_ Purchase Date: \_\_\_\_\_

Save the receipt, warranty and these instructions. It is important that you read the entire manual to become familiar with this product before you begin using it.

This cart is designed for certain applications only. The distributor cannot be responsible for issues arising from modification. Do not modify this cart or use it for any application other than that for which it was designed.

For technical questions please call **1-800-222-5381**.

## INTENDED USE

This dump cart is perfect for moving and unloading supplies around the yard when working on gardening and landscaping projects.

## TECHNICAL SPECIFICATIONS

Item	Description
Capacity	Overall maximum 1,000 lbs. load capacity Maximum 400 lbs. dumping load capacity when cart is loaded.
Tires	13 inch Pneumatic Tires Do not inflate the tires to more than 30 PSI.
Construction	Poly bed and steel frame.
Dimensions	41 x 22 x 24.5

## GENERAL SAFETY RULES



**WARNING:** Read and understand all instructions. Failure to follow all instructions listed below may result in serious injury.



**CAUTION:** Do not allow persons to operate or assemble this dump cart until they have read this manual and have developed a thorough understanding of how the dump cart works.



**WARNING:** The warnings, cautions, and instructions discussed in this instruction manual cannot cover all possible conditions or situations that could occur. It must be understood by the operator that common sense and caution are factors which cannot be built into this product, but must be supplied by the operator.

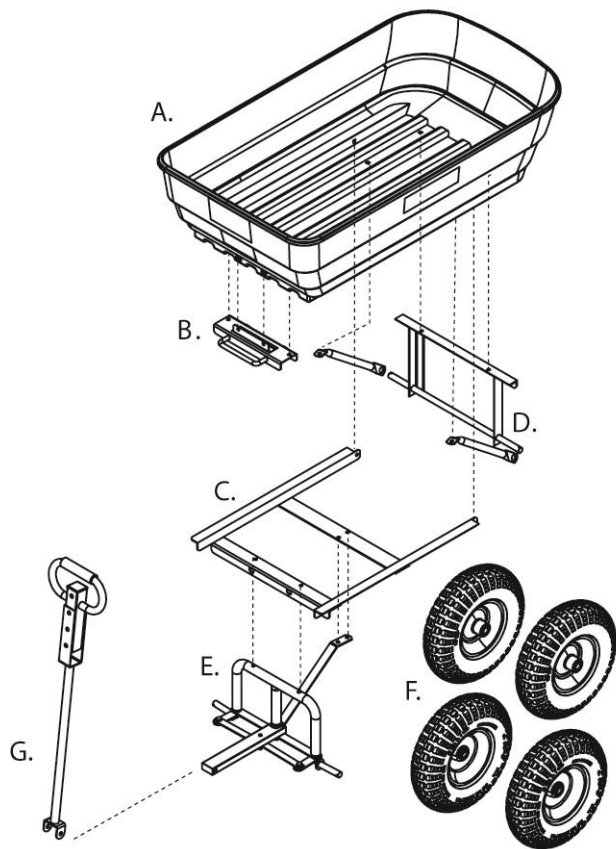
## SAVE THESE INSTRUCTIONS

## IMPORTANT SAFETY CONSIDERATIONS

- **Do not exceed loading capacity.**
  - **Maximum load capacity:** 1,200 lbs.
  - **Maximum dumping load capacity:** 500 lbs.
- **Distribute load over the surface of the tray.** Do not load items on the top edges of the tray.
- **Do not modify the dump cart in any way.** Unauthorized modification may impair the function and/or safety and could affect the life of the equipment. There are specific applications for which the dump cart was designed.
- **This cart is not intended for highway use.** Do not exceed 5 mph.
- **Do not use this cart for transporting passengers.** Do not allow children to use this cart without supervision. This cart is not a toy.
- **Do not inflate the tires to more than 30 PSI.** Do not use the cart on surfaces or for transporting objects that can cause damage to the pneumatic tires.
- **Always check of damaged or worn out parts before using the dump cart.** Broken parts will affect the dump cart operation. Replace or repair damaged or worn parts immediately.
- **Store idle the dump cart.** When dump cart is not in use, store it in a secure place out of the reach of children. Inspect it for good working condition prior to storage and before re-use.

# EXPLODED DRAWING FOR ASSEMBLY

## PARTS LIST

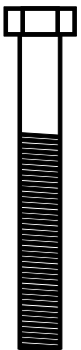
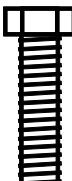

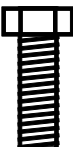



Part#	Description	Qty.
A	Tray	1
B	Dump Lock Assembly	1
C	Frame	1
D	Rear Axle Assembly	1
E	Front Axle Assembly	1
F	Wheels	4
G	Handle	1
H.	Hardware Kit	1


## HARDWARE LIST

**Hardware List**

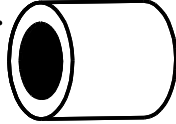
Images are notto scale

A. M8x60Hex Head Bolt (1)	A.	B.	C.	D.	E.
B. M8x40Hex Head Bolt (2)					
C. M8x20Carriage Bolt (10)					
D. M8x20Hex Head Bolt (2)					
E. M8 Lock Nut(15)					
F. M8 Washer (15)					
G. M11 Washer (10)					
H. M16 Washer (4)					
I. CotterPin (4)					
J. Wheel Spacer (4)					

I.

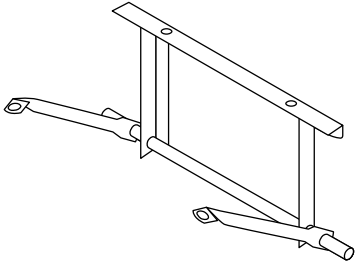


J.

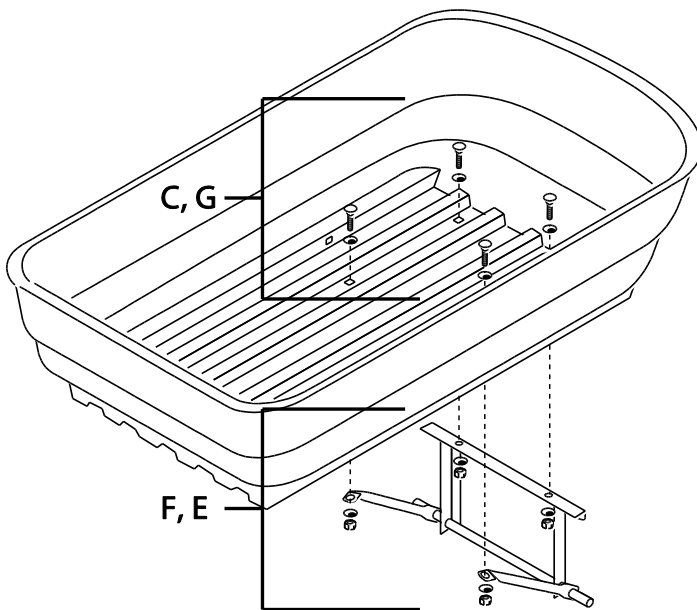


## ASSEMBLY

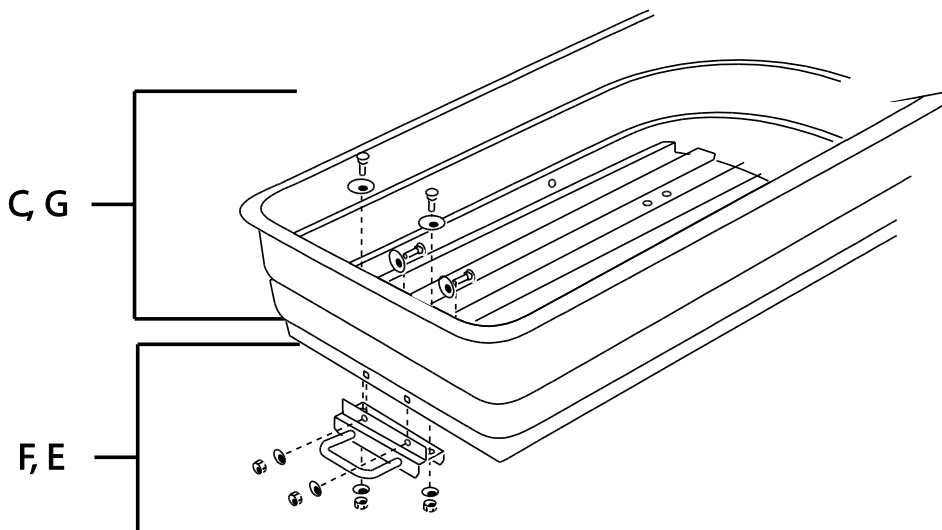
1. Locate the rear axle assembly (the left and right rear struts are pre-assembled to the rear axle as shown below).



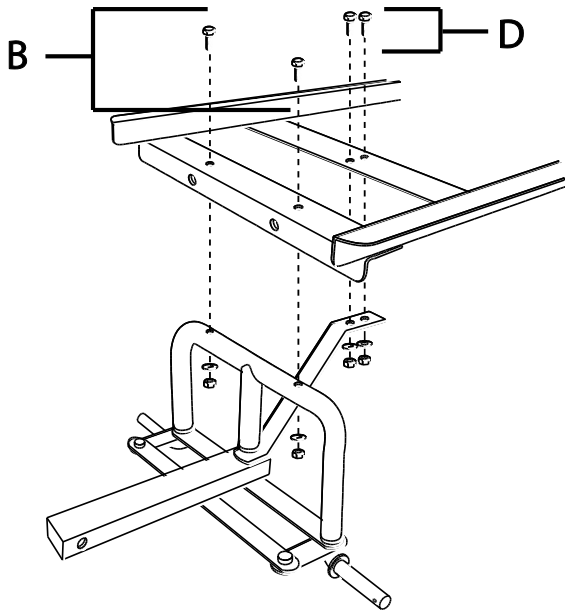
2. Attach the rear axle assembly, left and right struts to the tray using M8x20 carriage bolts (C-4), M11 washers (G-4), M8 washers (F-4), and M8 lock nuts (E-4).



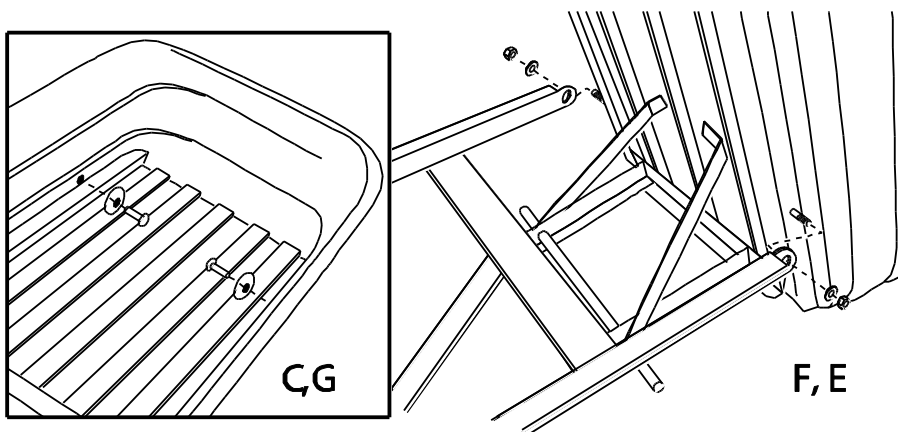
3. Attach the dump lock assembly to the tray using M8x20 carriage bolts (C-4), M11 washers (G-4), M8 washers (F-4), and M8 lock nuts (E-4).



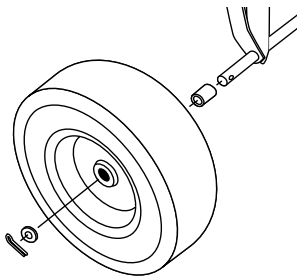
- Attach the front axle assembly to the frame using M8x40 hex head bolts (B-2), M8 washers (F-2), and M8 lock nuts (E-2).  
Attach the front axle support arm to the frame using M8x20 hex head bolts (D-2), M8 washers (F-2), and M8 lock nuts (E-2).



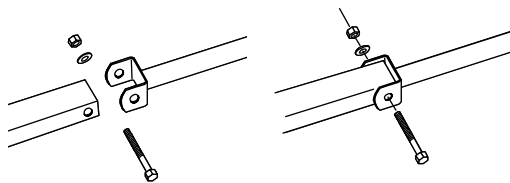
- Attach the frame to the tray using M8x20 carriage bolts (C-2), M11 washers (G-2), M8 washers (F-2), and M8 lock nuts (E-2).



- Attach the wheels by first placing the wheel spacers (J-4) onto each axle, then placing the wheel (4) onto each axle and finally placing the wheel washers (H-4). Insert the cotter pins (I-4) into the hole at each end of the axles and bend back the ends of the cotter pins with pliers to keep them in place.



7. Attach the handle to the yoke using M8x60 hex head bolt (1-A), M8 washer (1-F), and M8 lock nut (1-E).

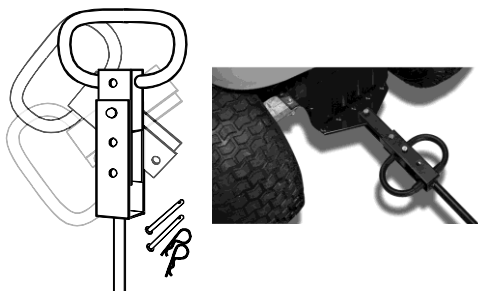


## OPERATION

Distribute the load evenly over the surface of the tray.  
Do not load items on the top edges of the tray.

### USING THE SWIVEL HANDLE

1. Remove clips and cotter pins.
2. Rotate the handle and insert cotter pin. Secure by attaching the clip.
3. The second cotter pin is used to attach the handle to the trailer hitch.



### USING THE DUMPING FEATURE

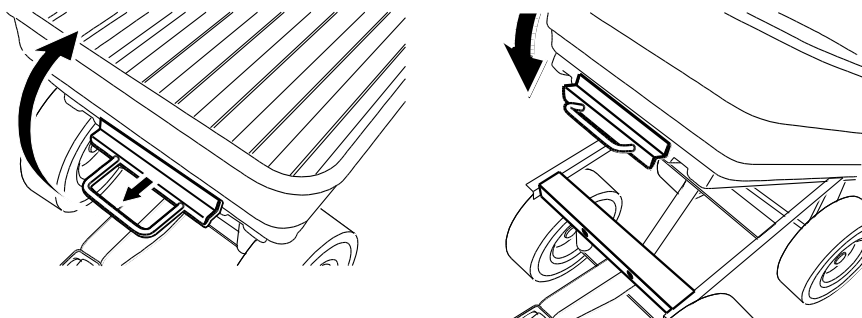
To use the dumping feature, pull the dumping release handle forward in order to release the tray from the locking mechanism. Lift the release handle in order to rotate the tray upward into the dumping position.

**WARNING:** To reduce risk of injury when dumping, ensure worksite is clear and free of hazards and bystanders.

### RETURNING THE TRAY TO THE LOWERED POSITION

Return the tray back to the lowered position and verify that the dumping release handle locks in place.

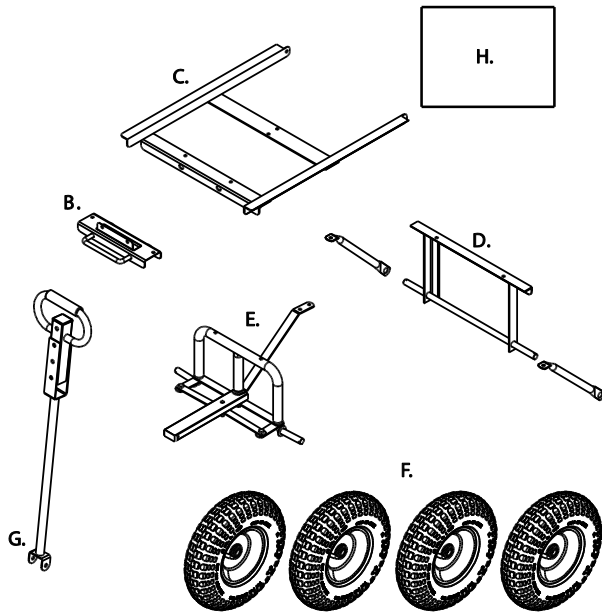
Avoid pinch points.



## MAINTENANCE

- **Maintain your dump cart.** It is recommended that the general condition of any **dump cart** be examined before it is used. Keep your **dump cart** in good repair by adopting a program of conscientious repair and maintenance. Have necessary repairs made by qualified service personnel.

## DIAGRAM & REPLACEMENT PARTS LIST



Part#	Description	Qty.
B	Dump Lock Assembly	1
C	Frame	1
D	Rear Axle Assembly	1
E	Front Axle Assembly	1
F	Wheels	4
G	Handle	1
H.	Hardware Kit	1

For replacement parts and technical questions, please call **1-800-222-5381**.



## **WARRANTY**

**1-year limited warranty**



Distributed by  
Northern Tool + Equipment Co., Inc.  
Burnsville, Minnesota 55306  
NorthernTool.com  
Made in China