

BANNON

HEAVY-DUTY STEEL WAGON

Owner's Manual



⚠ WARNING: Read carefully and understand all ASSEMBLY AND OPERATION INSTRUCTIONS before operating. Failure to follow the safety rules and other basic safety precautions may result in serious personal injury.

Item # 51205

SAVE THESE INSTRUCTIONS

Thank you very much for choosing a BANNON product!

For future reference, please complete the owner's record below:

Serial Number/Lot Date Code: _____

Purchase Date: _____

Save the receipt, warranty, and this manual. It is important that you read the entire manual to become familiar with this product before you begin using it.

This wagon is designed for certain applications only. Northern Tool and Equipment is not responsible for issues arising from modification or improper use of this product such as an application for which it was not designed. We strongly recommend that this product not be modified and/or used for any application other than that for which it was designed.

For technical questions, please call **1-800-222-5381**.

Table of Contents

Intended Use.....	4
Technical Specifications	4
Important Safety Information	4
Specific Operation Warnings	6
Assembly Instructions.....	7
Before Each Use.....	9
Operating Instructions.....	10
Maintenance	10
Parts Diagram.....	11
Parts List.....	11
Replacement Parts	11
Limited Warranty	12

Intended Use

Perfect for hauling oversized loads such as firewood, rock, mulch and dirt.

Technical Specifications

Property	Specification
Capacity	1500 lbs.
Tires	15 inch Pneumatic Tires Do not inflate the tires to more than 30 PSI.
Construction	Steel construction
Dimensions (in.)	52 x 34 x 12

Important Safety Information

⚠ WARNING

- Read and understand all instructions. Failure to follow all instructions may result in serious injury or property damage.
- The warnings, cautions, and instructions in this manual cannot cover all possible conditions or situations that could occur. Exercise common sense and caution when using this tool. Always be aware of the environment and ensure that the tool is used in a safe and responsible manner.
- Do not allow persons to operate or assemble the product until they have read this manual and have developed a thorough understanding of how it works.
- Do not modify this product in any way. Unauthorized modification may impair the function and/or safety and could affect the life of the product. There are specific applications for which the product was designed.
- Use the right tool for the job. DO NOT attempt to force small equipment to do the work of larger industrial equipment. There are certain applications for which this equipment was designed. It will do the job better and more safely at the capacity for which it was intended. DO NOT use this equipment for a purpose for which it was not intended.
- Industrial or commercial applications must follow OSHA requirements.

⚠ WARNING

- This product may contain chemicals known to the State of California to cause cancer, birth defects or other reproductive harm.

⚠ WARNING

WORK AREA SAFETY

- Inspect the work area before each use. Keep work area clean, dry, free of clutter, and well lit. Cluttered, wet, or dark work areas can result in injury. Using the wagon in confined work areas may put you dangerously close to other cutting tools and rotating parts.
- Keep children and bystanders away from the work area while operating the wagon. Do not allow children to handle the wagon.
- Be aware of all power lines, electrical circuits, water pipes, and other mechanical hazards in your work area. Some of these hazards may be hidden from your view and may cause personal injury and/or property damage if contacted.

⚠ WARNING

PERSONAL SAFETY

- Stay alert, watch what you are doing, and use common sense when operating the wagon. Do not use the wagon while you are tired or under the influence of drugs, alcohol, or medication. A moment of inattention while operating the wagon may result in serious personal injury.
- Do not use the wagon when tired or under the influence of drugs, alcohol or medication.

⚠ CAUTION

WAGON USE AND CARE

- Do not force the wagon. Products do a better and safer job when used in the manner for which they are designed. Plan your work, and use the correct product for the job.
- Check for damaged parts before each use. Carefully check that the wagon will operate properly and perform its intended function. Replace damaged or worn parts immediately. Never operate the wagon with a damaged part.
- Store the wagon when it is not in use. Store it in a dry, secure place out of the reach of children. Inspect the tool for good working condition prior to storage and before re-use.
- Use only accessories that are recommended by the manufacturer for use with your wagon. Accessories that may be suitable for one product may create a risk of injury when used with another tool. Never use an accessory that has a lower operating speed or operating pressure than the tool itself.

Specific Operation Warnings

⚠ WARNING

- Do not exceed the overall maximum load capacity of 1500 lbs. The weight rating is based on an evenly distributed load.
- Do not load items on the top edges of the panels. Remove panels before loading oversized items. Use caution when removing sides as the load can fall out and cause injury.
- Do not use this wagon to transport passengers in or on wagon.
- This wagon is not intended for highway use. Do not exceed 5 mph.
- Wagon is not equipped with brakes. Do not park wagon on an incline while loaded.
- Do not pull or tow wagon perpendicular to an incline while loaded. Wagon may tip over and can cause injury.
- This wagon is not a toy and is not to be used by or around children.
- Do not modify this wagon in any way. Unauthorized modification may impair the function and/or safety and could affect the life of the equipment. There are specific applications for which the wagon was designed.
- Do not inflate the tires to more than 30 PSI. Do not use the wagon on surfaces or for transporting objects than can cause damage to the pneumatic tires.
- Always check for damaged or worn out parts before using this wagon. Broken parts will affect the operation. Replace or repair damaged or worn parts immediately.
- Store idle wagon. When the wagon is not in use, store it in a secure place out of reach of children. Inspect it for good working condition prior to storage and before re-use.

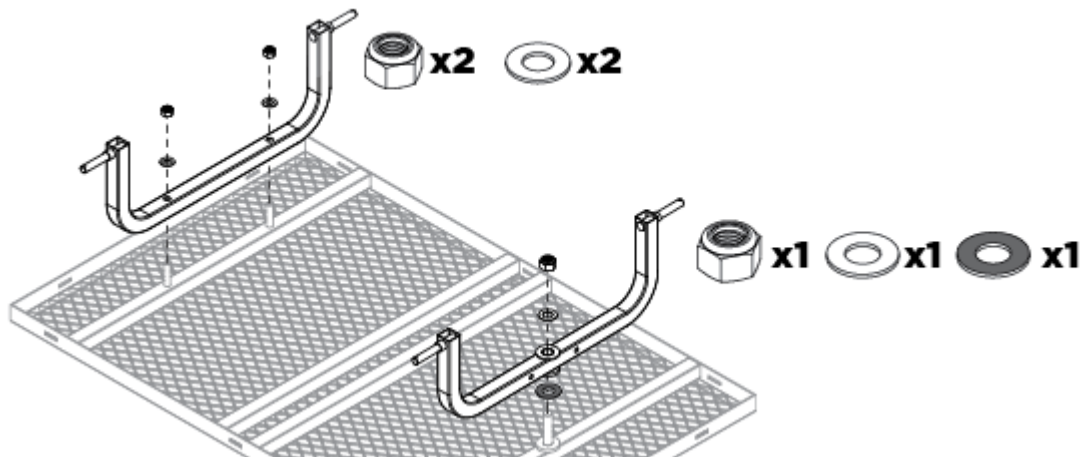
Assembly Instructions

TOOLS REQUIRED



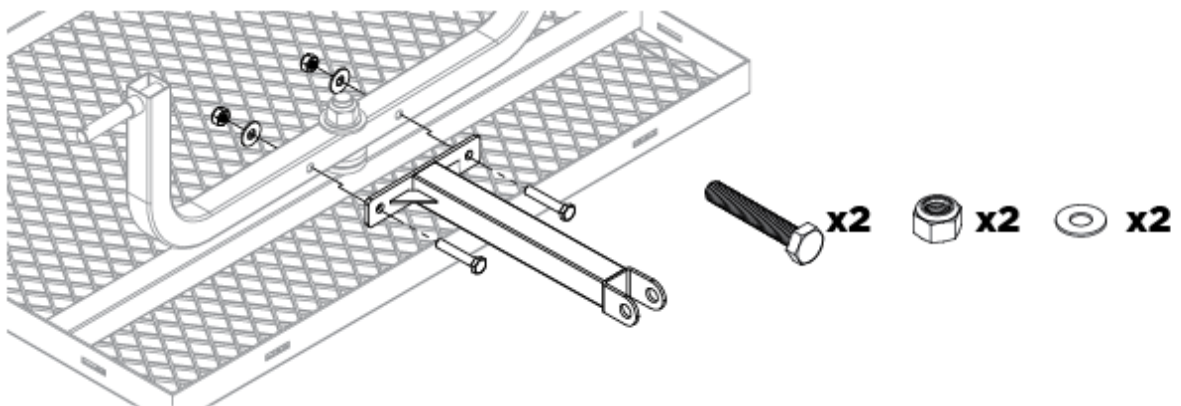
STEP 1

Assemble the front and rear axle to the bed of the wagon. Tighten bolts securely.



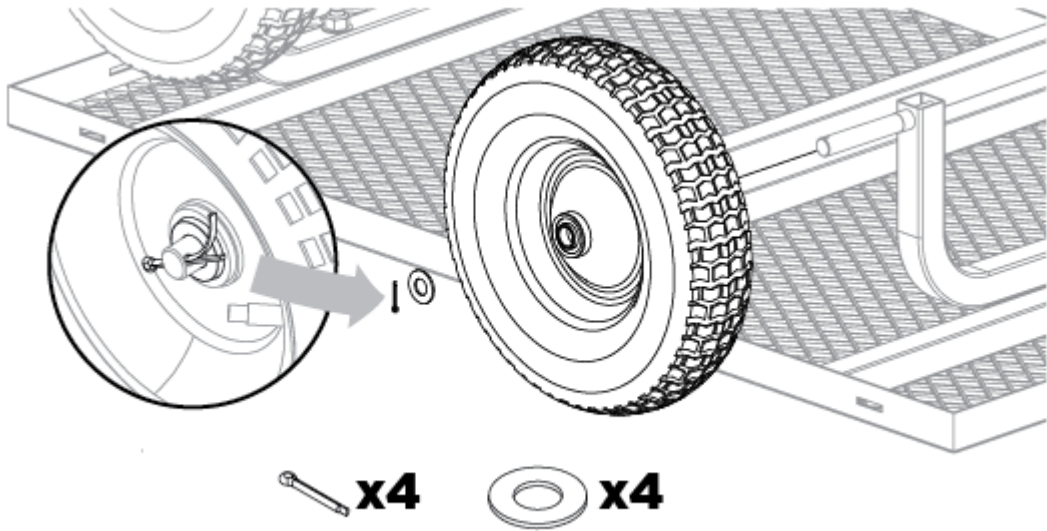
STEP 2

Assemble the yoke to the front axle. Tighten bolts securely.



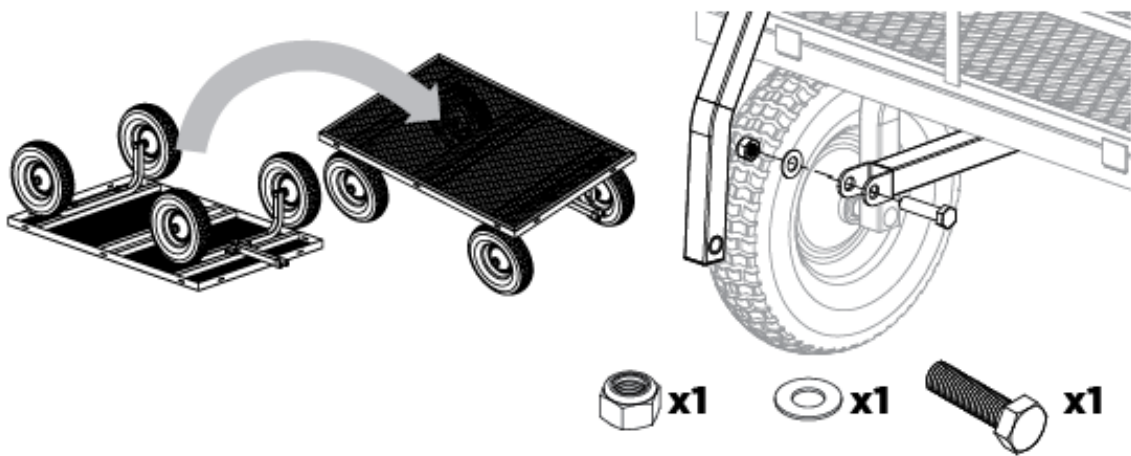
STEP 3

Place the wheels onto each axle (valve stem facing out) and secure using washer and cotter pin. Bend back the ends of the cotter pin to keep them in place.



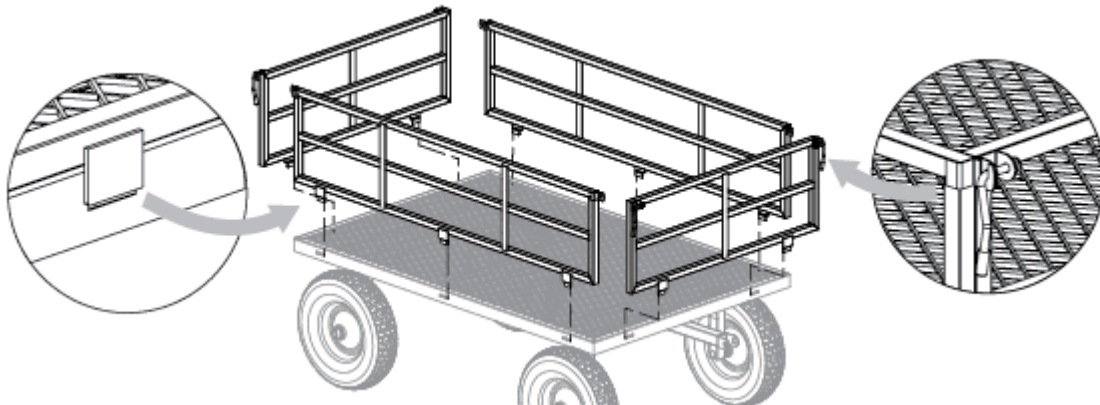
STEP 4

Turn the wagon upright. Attach the handle to the yoke. Tighten securely.



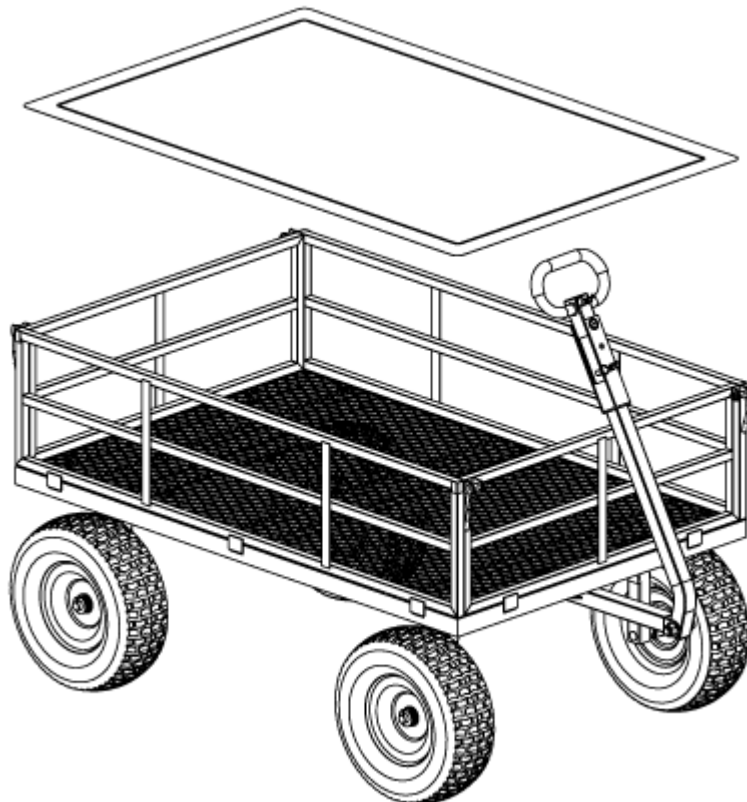
STEP 5

Attach the mesh panels to the side of the bed frame.



STEP 6

Insert liner.



Before Each Use

⚠ WARNING

Read carefully and understand all **ASSEMBLY AND OPERATION INSTRUCTIONS** before operating. Failure to follow the safety rules and other basic safety precautions may result in serious personal injury.

Operating Instructions

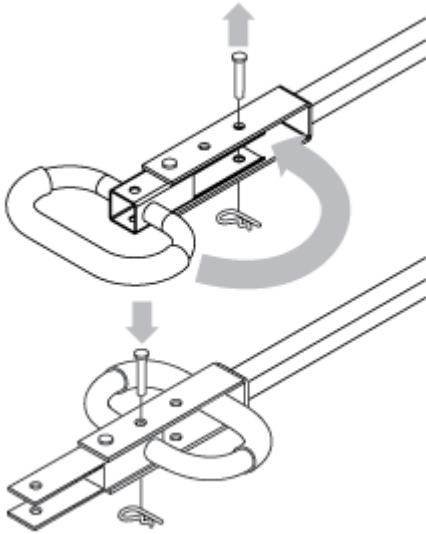
⚠ WARNING

Distribute the load evenly over the surface of the bed.

Do not load items on the top edges of the wagon.

USING THE SWIVEL HANDLE

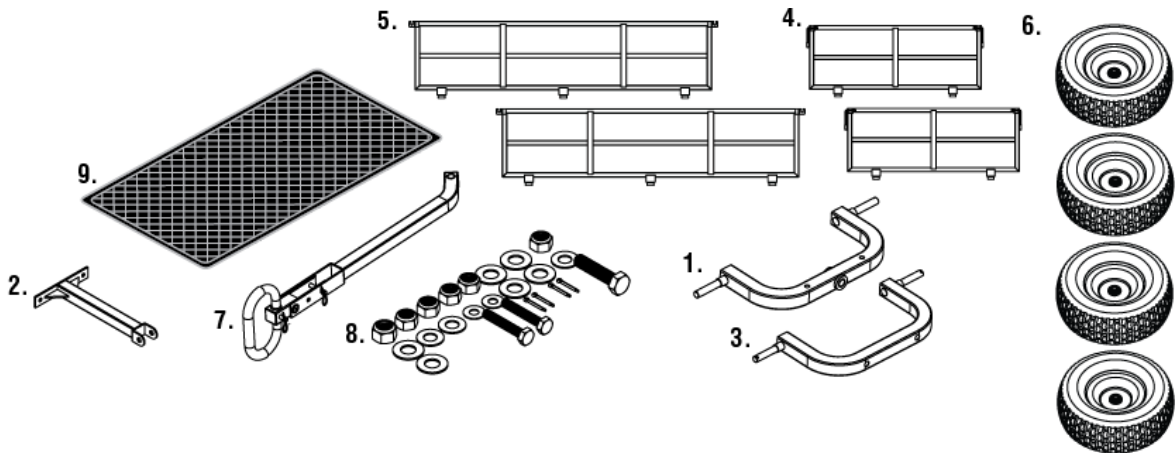
1. Remove clips and cotter pins.
2. Rotate the handle and insert cotter pin. Secure by attaching the clip.
3. The second cotter pin is used to attach the handle to the trailer hitch.



Maintenance

Maintain the wagon by adopting a program of conscientious repair and maintenance in accordance with the following recommended procedures. It is recommended that the general condition of any wagon be examined before it is used. Keep your wagon in good repair by adopting a program of conscientious repair and maintenance. Have necessary repairs made by qualified service personnel.

Parts Diagram



Parts List

REF.	Description	Qty.
1	Front Axle	1
2	Yoke	1
3	Rear Axle	1
4	Front/Rear Panels	2
5	Side Panels	2
6	Tires	4
7	Handle	1
8	Hardware Kit	1
9	Liner	1

Replacement Parts

- For replacement parts and technical questions, please call Customer Service at **1-800-222-5381**.
- Not all product components are available for replacement. The illustrations provided are a convenient reference to the parts.
- When ordering parts, the following will be required: Model Number, Serial Number/Lot Date Code, and Description.
- The distributor reserves the rights to make design changes and or improvements to product lines and manuals without notice.

Limited Warranty

Northern Tool and Equipment Company, Inc. ("We" or "Us") warrants to the original purchaser only ("You" or "Your") that the Bannon product purchased will be free from material defects in both materials and workmanship, normal wear and tear excepted, for a period of **two year** from date of purchase. The foregoing warranty is valid only if the installation and use of the product is strictly in accordance with product instructions. There are no other warranties, express or implied, including the warranty of merchantability or fitness for a particular purpose. If the product does not comply with this limited warranty, Your sole and exclusive remedy is that We will, at our sole option and within a commercially reasonable time, either replace the product or product component without charge to You or refund the purchase price (less shipping). This limited warranty is not transferable.

Limitations on the Warranty

This limited warranty does not cover: (a) normal wear and tear; (b) damage through abuse, neglect, misuse, or as a result of any accident or in any other manner; (c) damage from misapplication, overloading, or improper installation; (d) improper maintenance and repair; and (e) product alteration in any manner by anyone other than Us, with the sole exception of alterations made pursuant to product instructions and in a workmanlike manner.

Obligations of Purchaser

You must retain Your product purchase receipt to verify date of purchase and that You are the original purchaser. To make a warranty claim, contact Us at 1-800-222-5381, identify the product by make and model number, and follow the claim instructions that will be provided. The product and the purchase receipt must be provided to Us in order to process Your warranty claim. Any returned product that is replaced or refunded by Us becomes our property. You will be responsible for return shipping costs or costs related to Your return visit to a retail store.

Remedy Limits

Product replacement or a refund of the purchase price is Your sole remedy under this limited warranty or any other warranty related to the product. We shall not be liable for: service or labor charges or damage to Your property incurred in removing or replacing the product; any damages, including, without limitation, damages to tangible personal property or personal injury, related to Your improper use, installation, or maintenance of the product or product component; or any indirect, incidental or consequential damages of any kind for any reason.

Assumption of Risk

You acknowledge and agree that any use of the product for any purpose other than the specified use(s) stated in the product instructions is at Your own risk.

Governing Law

This limited warranty gives You specific legal rights, and You also may have other rights which vary from state to state. Some states do not allow limitations or exclusions on implied warranties or incidental or consequential damages, so the above limitations may not apply to You. This limited warranty is governed by the laws of the State of Minnesota, without regard to rules pertaining to conflicts of law. The state courts located in Dakota County, Minnesota shall have exclusive jurisdiction for any disputes relating to this warranty.

BANNON

Distributed by
Northern Tool and Equipment Company, Inc.
Burnsville, Minnesota 55306
NorthernTool.com

Made in China