

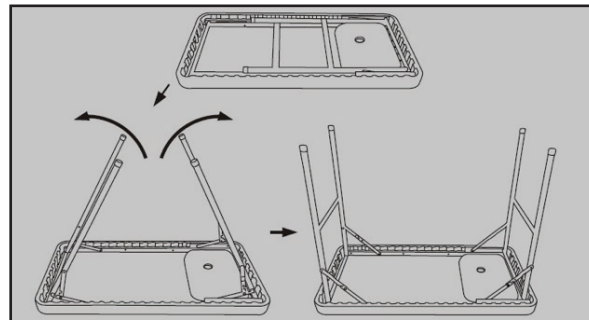
MULTI-USE TABLE

ASSEMBLY & SET-UP INSTRUCTIONS

Step 1:

Remove table from the box and position it on the ground as illustrated below. Open up each leg set and lock into place.

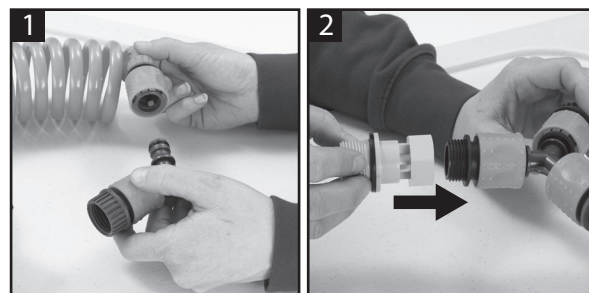
(MAKE SURE LEGS ARE COMPLETELY LOCKED IN POSITION BEFORE USING!)



Step 2:

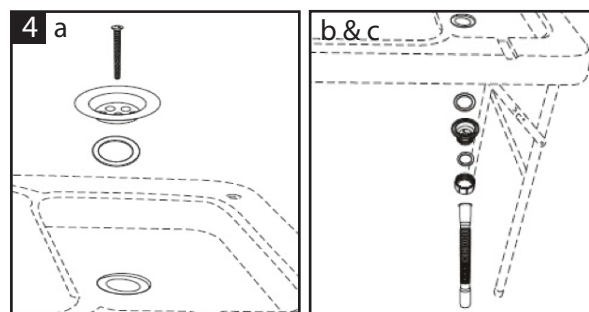
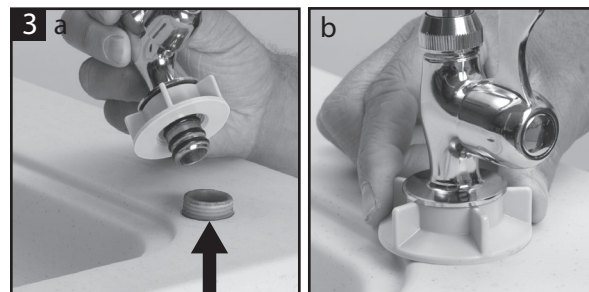
Faucet and Drain Assembly.

- 1) Connect the quick connector to the coiled hose (shown in diagram 1).
- 2) Connect the quick connector to the hose adapter (shown in diagram 2).



NOTICE: The gray hose adapter comes up from the bottom of the table not the top.

- 3) a. Slide the hose adapter thru the bottom side of the table (shown in diagram 3a).
b. Connect the faucet to the hose adapter and tighten (shown in diagram 3b).
- 4) Drain Connection:
 - a. Place the rubber washer and the metal drain on top of the drain hole. Slide the bolt thru both.
 - b. Next, place the rubber washer on top of the white drain connector and attach to the bolt and tighten.
 - c. Finally, slide the accordion drain pipe thru the white washer connector and tighten both to the white drain connector at the bottom of the table.
- 5) Connect a water hose to the quick connector.



Step 3:

To Store Table

- 1) Remove faucet and quick connector.
- 2) Unlock legs and fold.

WARNINGS: DO NOT DRINK WATER FROM FAUCET. DO NOT SIT OR STAND ON TABLE. DO NOT EXCEED THE OVERALL LOAD CAPACITY OF 150 LBS. DO NOT ALLOW CHILDREN TO USE THIS TABLE WITHOUT SUPERVISION. AVOID ALL PINCH POINTS.