



HEAVY DUTY UTILITY CART

With Removable Folding Sides



Owners Manual Model FR2121-D2

U.S. Patent #s 7,210,697 & 7,441,792
Other U.S. and Foreign Patents Pending

- Important Safety Instructions
- Assembly Instructions
- Parts and Hardware Identification

CAUTION: Read, understand and follow ALL instructions before using this product.

Questions, problems, missing parts? Before returning to your retailer, call our customer service department at 1-800-867-6763, 9 a.m. - 4 p.m., CST, Monday-Friday.

For product inquiries:
Tricam
7677 Equitable Drive
Eden Prairie, MN 55344
800-867-6763
www.tricam.com

IMPORTANT SAFETY INSTRUCTIONS

1. **READ ALL INSTRUCTIONS CAREFULLY BEFORE USE.** If you do not understand these instructions, need clarification or further explanation, please call our toll free answer line for assistance at **1-800-867-6763** Monday through Friday 8:00 a.m. until 5:00 p.m. CST.
2. Do not load cart with more than 1000 lbs / 453 kg.
3. Do not allow children to use the cart unsupervised. This cart is not a toy.
4. Always distribute payload evenly over surface of bed.
5. Do not load any items on top of the panels. Lower panels when oversized objects are to be loaded onto the bed.
6. If any parts become damaged, broken, or misplaced, do not use the cart until replacement parts can be obtained.
7. Do not operate or use on objects that can cause damage to the pneumatic tires or tubes.
Do not inflate tires more than 32 psi.
8. **SAVE THESE INSTRUCTIONS.**

ASSEMBLY INSTRUCTIONS

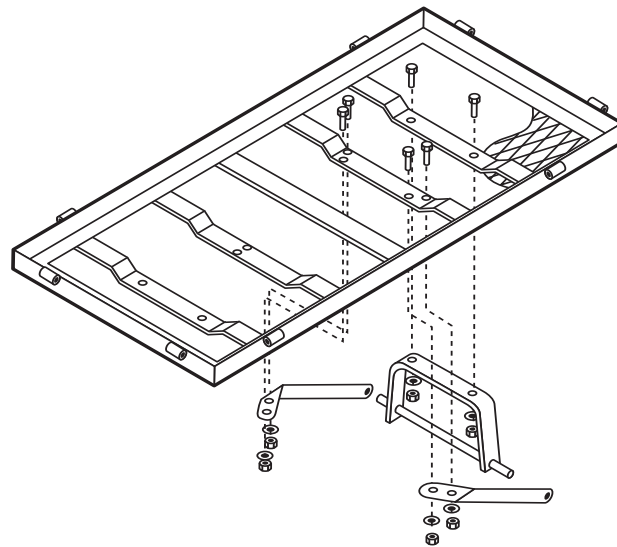
Your cart requires assembly. Account for all parts and hardware before beginning assembly. If any parts are missing, damaged, or if you have questions or need additional instructions, **DO NOT RETURN THIS PRODUCT TO THE RETAILER**, call the manufacturer at **1-800-867-6763**.

Tools required for assembly: Medium size slot screwdriver, 6, 8, and 12mm open end wrench and /or two medium adjustable wrenches.

Refer to the exploded drawing and the parts list on the following pages during assembly.

Step 1

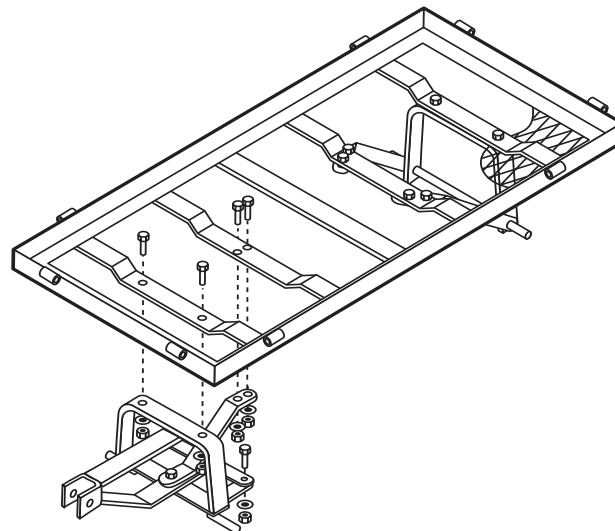
Assemble the Rear Axle Support to the Bed using (2) 8x20mm carriage support bolts, 8mm washers and lock nuts. Once this is attached, assemble the Left and Right Rear Axle Braces to the Bed and the Rear Axle Assembly using (4) 8x20mm carriage support bolts, 8mm washers and lock nuts. Tighten all bolts and lock nuts securely.



Step 2

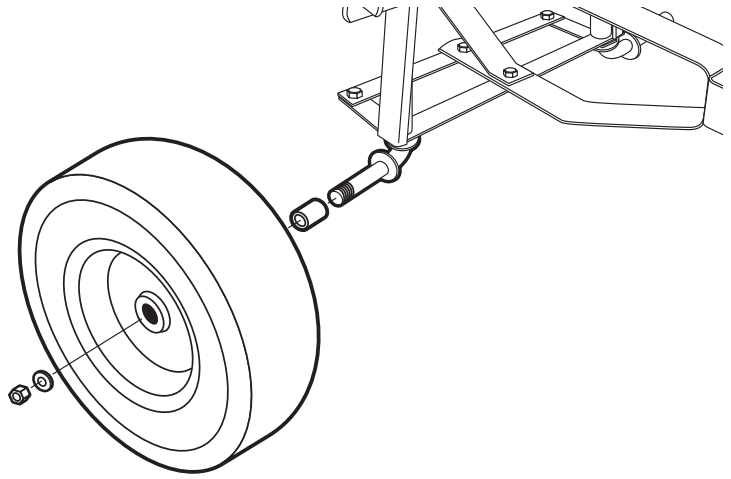
The Front Support Assembly is mostly pre-assembled at the factory. Please make sure that all of the bolts and lock nuts assembled at the factory are tight.

- A. Insert the two remaining 8x15mm shoulder bolts into each end of the Steering Link Connector. Apply 6mm washers and 6mm lock nuts and tighten securely.
- B. Attach the Front Axle Support to the Bed using (2) 8x20mm carriage support bolts, 8mm washers and lock nuts.
- C. Secure the Center Front Axle Brace to the Bed using (2) 8x20mm carriage support bolts, 8mm washers and lock nuts.

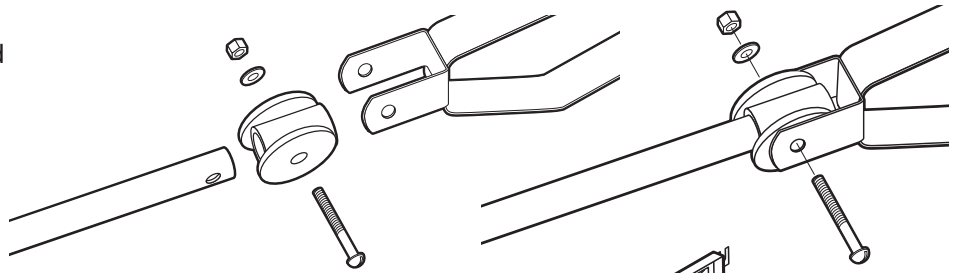


Step 3

Assemble the wheels using bushings (4pcs.), washers (4pcs.), and locking nuts (4pcs.).
Tighten all nuts securely.

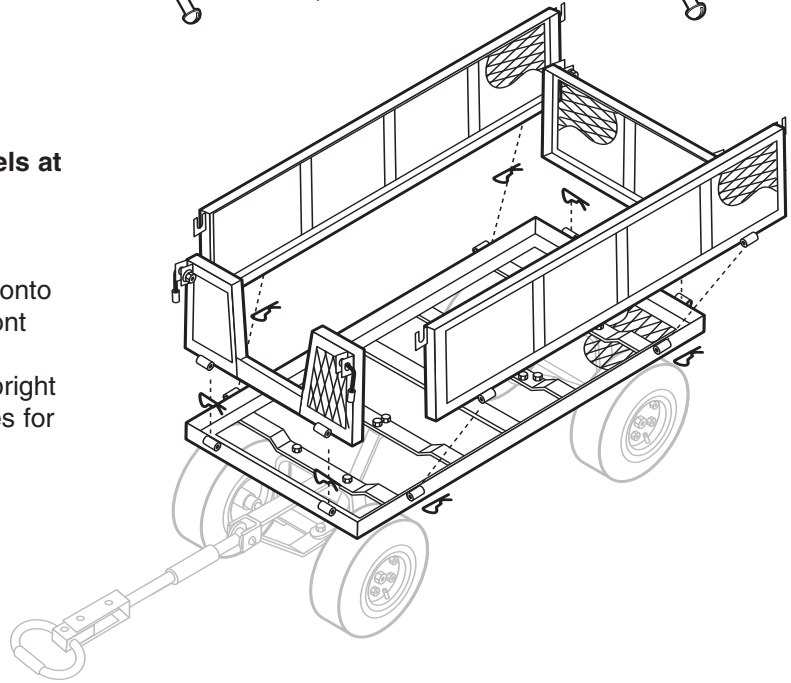
**Step 4**

Attach the Swivel Handle to the Yoke and the Plastic Coupling using the 8x60mm bolt, 8mm washer and lock nut.

**Step 5**

The Lock Handles are pre-assembled onto the Panels at the factory.

NOTE: Do not tighten the lock nuts on the Lock Handles until the end of this step. Attach the Front, Back, and (2) Side Panels onto the Bed using the Fence Assembly Pins. Latch the Front and Back Panels to the Side Panels using the Lock Handles. Once all panels are locked together in the upright position, tighten the 8mm lock nuts on the Lock Handles for smooth operation without being overly tight.



Swivel Handle Instructions

Step 1

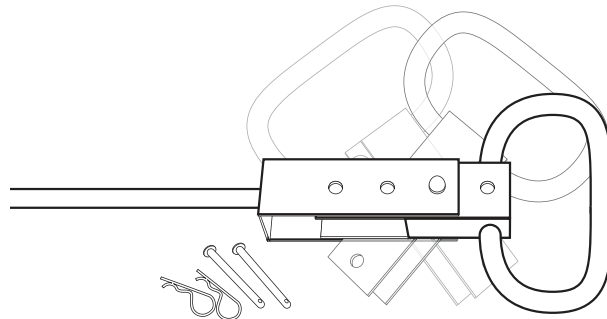
Remove clips and cotter pins.

Step 2

Rotate the handle and insert cotter pin.
Secure by attaching the clip.

Step 3

The second cotter pin is used to attach the handle to the trailer hitch.



PARTS AND HARDWARE IDENTIFICATION

MAIN FRAME PARTS

- 1 Bed - (1)
- 2 Side Panels - (2)
- 3 Front Panel - (1)
- 4 Back Panel - (1)
- 5 13in (33cm) Wheels - (4)

REAR SUPPORT ASSEMBLY

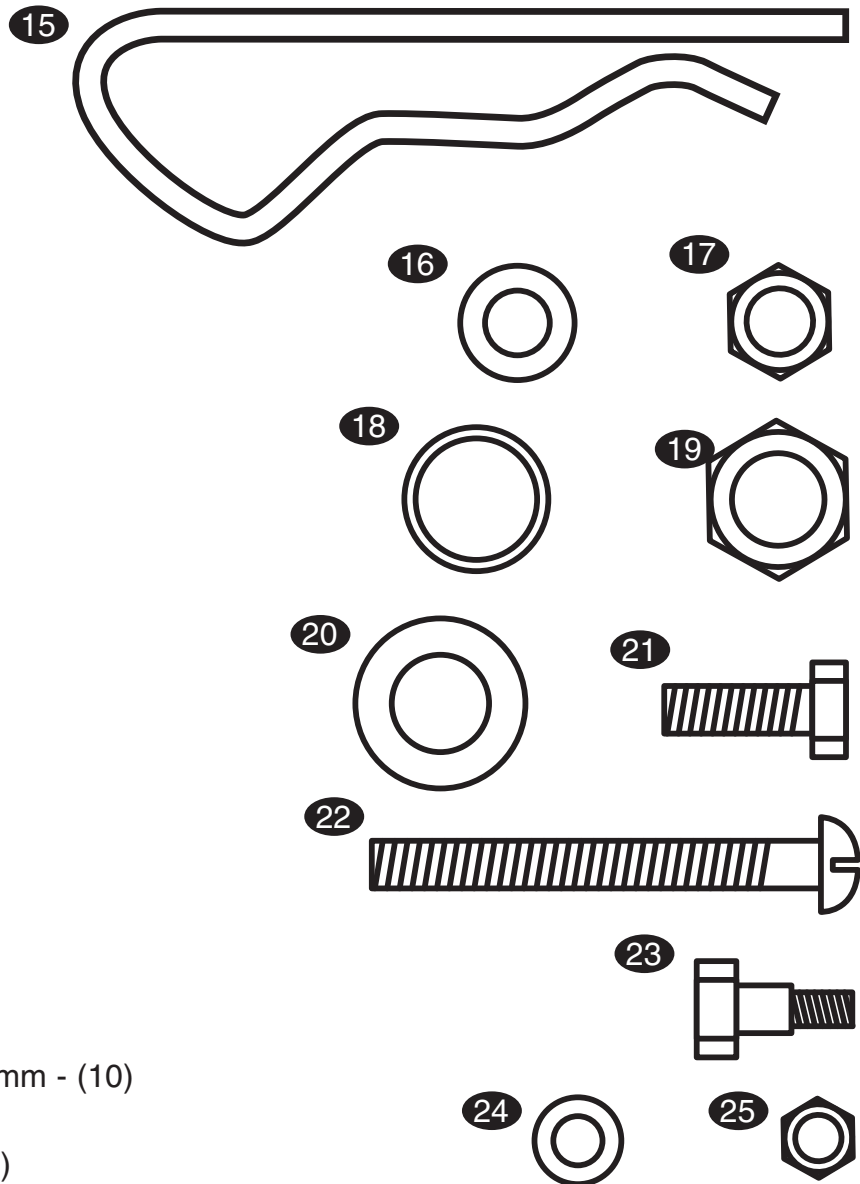
- 6 Rear Axle Support - (1)
- 7 Left Rear Axle Brace - (1)
- 8 Right Rear Axle Brace - (1)

FRONT SUPPORT ASSEMBLY

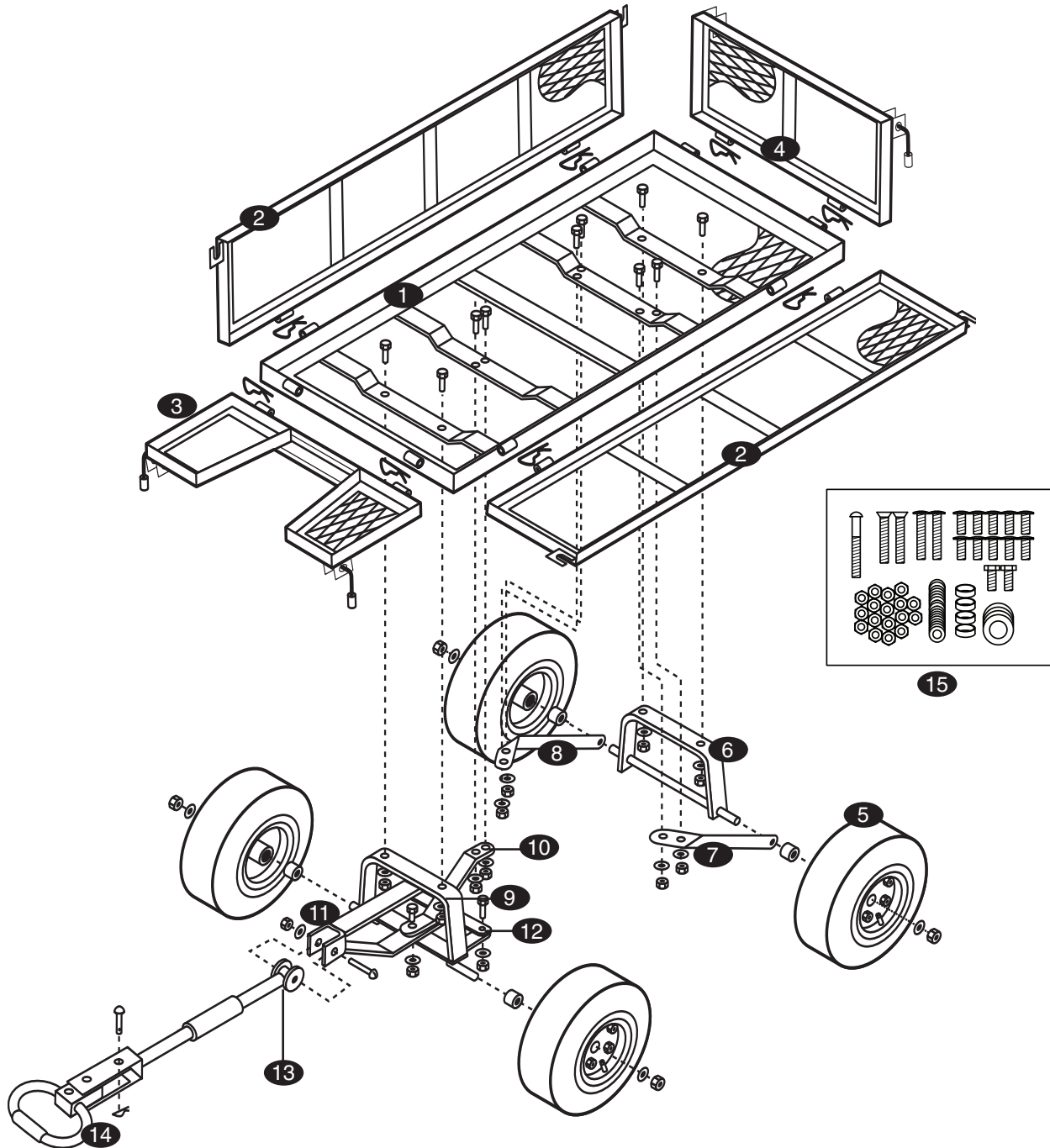
- 9 Front Axle Support - (1)
- 10 Center Front Axle Brace - (1)
- 11 Yoke - (1)
- 12 Steering Link Connector - (1)
- 13 Plastic Coupling - (1)
- 14 Handle - (1)

ASSEMBLY HARDWARE

- 15 Fence Assembly Pins - (8)
- 16 Washers 8mm - (11)
- 17 Lock Nuts 8mm - (11)
- 18 Wheel Spacer Bushings - (4)
- 19 Wheel Lock Nuts 12mm - (4)
- 20 Wheel Washers 12mm - (4)
- 21 Carriage Support Bolts 8 x 20mm - (10)
use with #20 & #21
- 22 Pull Handle Bolt 8 x 60mm - (1)
use with #19 & #20
- 23 Shoulder Bolt
8 x 15mm - (2) use with #27 & #28
- 24 Washers 6mm - (2)
- 25 Lock Nuts 6mm - (2)



EXPLODED DRAWING FOR ASSEMBLY



REPLACEMENT PARTS LIST

For replacement parts, please call our customer service department at 1-800-867-6763, 9 a.m. - 4 p.m., CST, Monday-Friday.

- | | | | |
|---|--------------------|----|-----------------------|
| 2 | Side Panels | 7 | Left Rear Axle Brace |
| 3 | Front Panel | 8 | Right Rear Axle Brace |
| 4 | Back Panel | 9 | Front Axle Assembly |
| 5 | 13in (33cm) Wheels | 14 | Handle |
| 6 | Rear Axle Support | 15 | Hardware Kit |