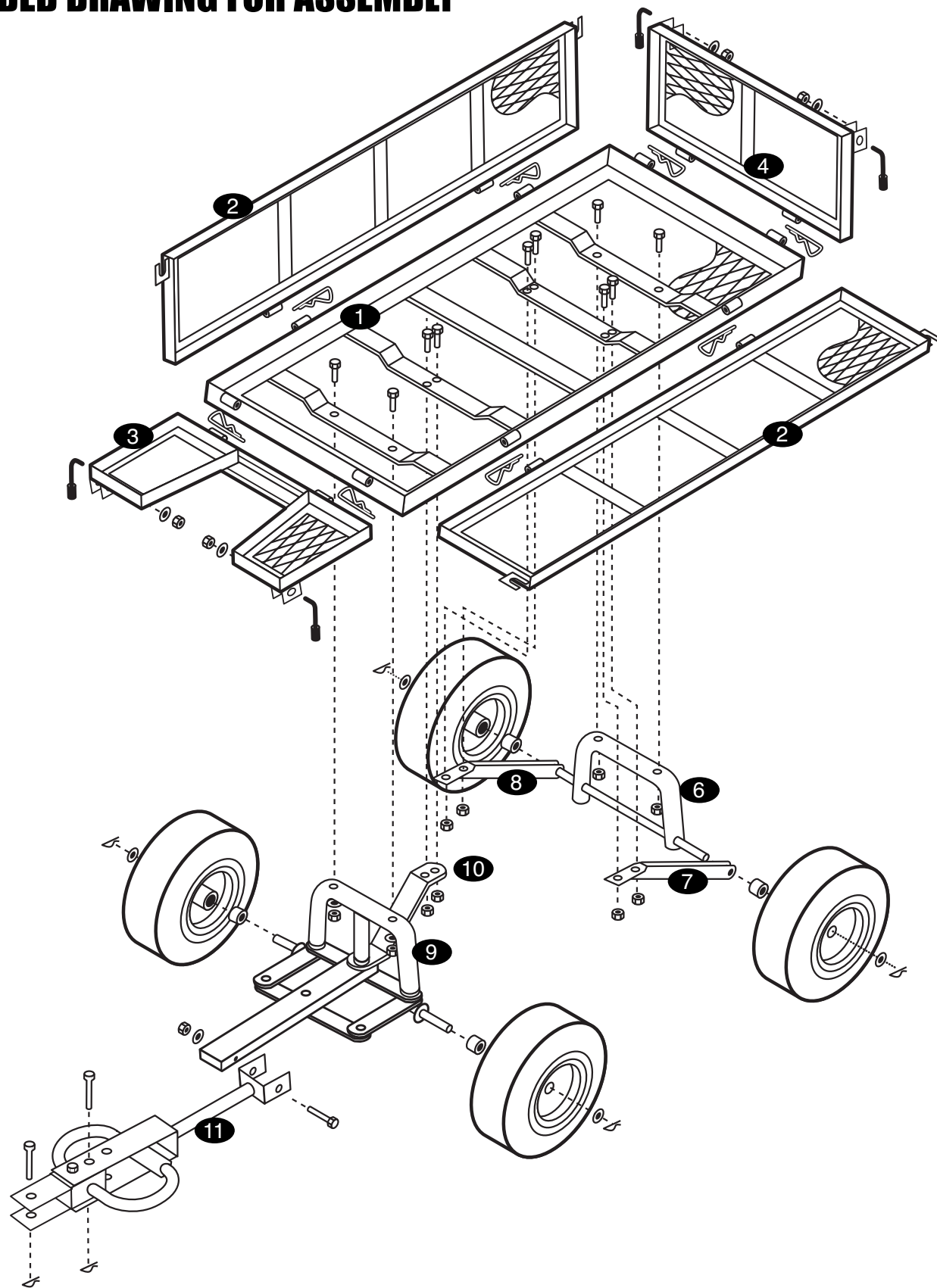


EXPLODED DRAWING FOR ASSEMBLY



Utility Cart With Removable Sides



Owners Manual Model GOR1240-D

- Important Safety Instructions
- Assembly Instructions
- Parts and Hardware Identification

CAUTION: Read, understand and follow ALL instructions before using this product.

WARNING: Not for recreational use. Persons should never ride in the Utility Cart.

For product inquiries:
 Tricam
 7677 Equitable Drive
 Eden Prairie, MN 55344
 800-867-6763
www.tricam.com

CAUTION

**DO NOT EXCEED MAXIMUM OVERALL LOAD CAPACITY 800 LBS.
 PERSON SHOULD NEVER RIDE IN THE UTILITY CART.
 WEIGHT RATING BASED ON EVENLY DISTRIBUTED LOAD.**

Important Safety Instructions

- 1. READ ALL INSTRUCTIONS CAREFULLY BEFORE USE.** If you do not understand these instructions, need clarification or further explanation, please call our toll free answer line for assistance at **1-800-867-6763** Monday through Friday 8:00 a.m. until 5:00 p.m. CST.
- Do not load cart with more than 800 lbs.
- Do not allow children to use the cart unsupervised. This cart is not a toy.
- This product is not to be used transporting passengers.
- This product is not to be used for highway use.
- Always distribute payload evenly over surface of bed.
- Do not load any items on top of the fence. Lower fence when objects are to be loaded onto the cart.
- If any parts become damaged, broken or misplaced do not use the cart until replacement parts can be obtained.
- Do not operate or use on objects that can cause damage to the pneumatic tires or tubes. Over inflation of tire can result in serious injury. Do not exceed maximum tire PSI. **Do not inflate tires to more than 32 PSI / 2.20 BAR.**
- SAVE THESE INSTRUCTIONS!

Assembly Instructions

Your Utility Cart requires assembly. Account for all parts and hardware before beginning assembly. If any parts are missing or damaged, or if you have any questions or need additional instructions, call the manufacturer at **1-800-867-6763**.

Tools required for assembly: Medium size slot screwdriver, 6, 8, and 12mm open end wrench and /or two medium adjustable wrenches.

Step 1 Turn the Cart Bed upside down. Use the cardboard from the carton to keep from scratching or damaging the finish

Step 2 Assemble the REAR SUPPORT ASSEMBLY to the bed using 4 - 8 x 20mm Carriage Support Bolts, 2 - 8 x 45mm Carriage Support Bolts, and 6 - 8mm washers and nuts. Attach the Rear Axle Support to the back of the bed using the 2 - 8 x 45mm Carriage Support Bolts and then attach the left and right Support Braces using the 4 - 8 x 20mm Carriage Support Bolts. Tighten all nuts securely.

Step 3 The front support assembly is mostly pre-assembled at the factory. Please make sure all bolts and nuts assembled at the factory are tight.

- Attach the Front Support Assembly to the bed of the wagon using 2 - 8 x 45mm Carriage Support Bolts, 8mm washers and nuts.
- Secure the Center Front Axle Brace to the bed of the wagon using 2 - 8 x 20mm Carriage Support Bolts, 8mm washers and nuts.

Step 4 Install the WHEELS in the following order.

- Place the Wheel Spacer bushing onto the axle.
- Place the Wheel onto the axle with the valve stem facing out.
- Use the 16mm washer and the cotter pin to secure the wheel.

Step 5 Turn the Cart upright onto its wheels. Attach the Handle using the 8 x 60mm pull handle bolt, 8mm washer and nut.

Step 6 Attach the front back, left and right FENCES using the Fence Assembly Pins. NOTE: Latch the fences in the upright position using the Lock Handles. Tighten the nuts on the Lock Handles to allow for smooth operation without being overly tight.

Parts and Hardware Identification

MAIN FRAME PARTS

- Bed - (1)
- Sides - (2)
- Front - (1)
- Back - (1)
- 10" Wheels - (4)

REAR SUPPORT ASSEMBLY

- Rear Axle Support - (1)
- Left Rear Axle Brace - (1)
- Right Rear Axle Brace - (1)

FRONT SUPPORT ASSEMBLY

- Front Axle Support - (1)
- Center Front Axle Brace - (1)
- Pull Handle - (1)

ASSEMBLY HARDWARE

- Fence Assembly Pins - (8)
- Lock Handles 8mm - (4)
- Washers 8mm - (15)
- Nuts w/Lock Inserts 8mm - (15)
- Wheel Spacer Bushings - (4)
- Wheel Cotter Pins (4)
- Wheel Washer 16mm
- Carriage Support Bolts 8 x 20mm - (6)
- Carriage Support Bolts 8 x 45mm - (4)
- Pull Handle Bolt 8 x 60mm - (1)

