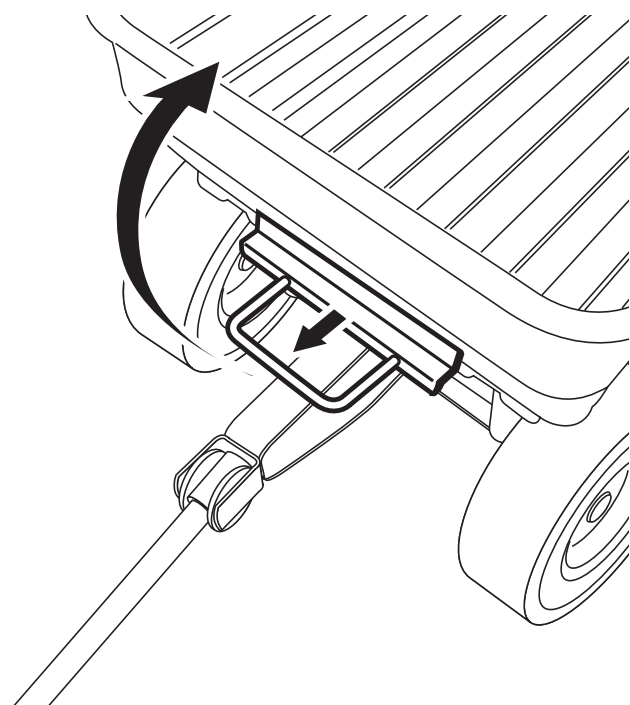




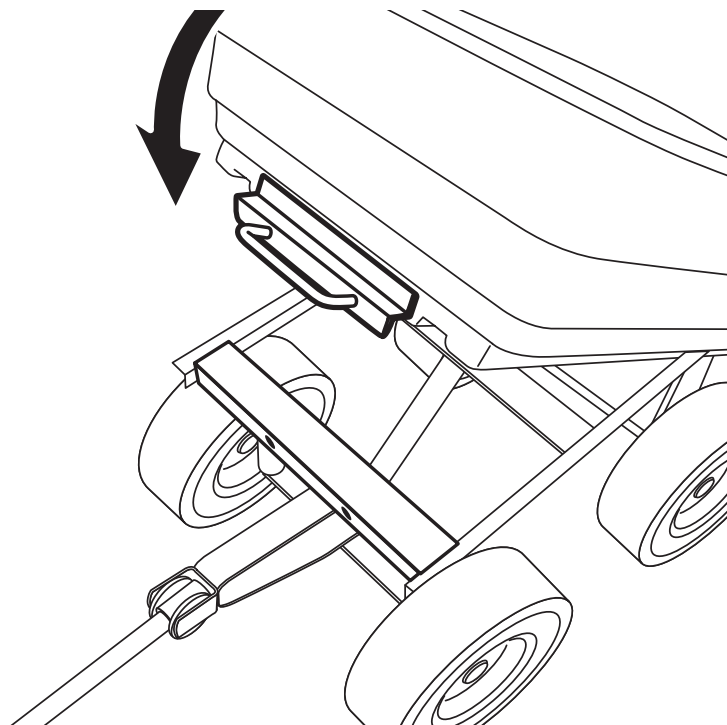
### Using the Dumping Feature

To operate the dumping feature, pull the dumping release handle outward to release the plastic bed from the locking mechanism. Lift up the release handle to rotate cart upward into the dumping position.



### Returning the Plastic Bed to the Lowered Position

Rotate the plastic bed back down to the lowered position. Make sure the dumping release handle is locked into place when the cart is in the lowered position.



# Garden Dump Cart



U.S. Patent No. 6,851,756  
Other U.S. and Foreign  
Patents Pending

## Owners Manual Model GOR200-D

- Important Safety Instructions
- Assembly Instructions
- Parts and Hardware Identification

**CAUTION:** Read, understand and follow ALL instructions before using this product.

For product inquiries:  
Tricam  
7677 Equitable Drive  
Eden Prairie, MN 55344  
800-867-6763  
www.tricam.com

## CAUTION

**DO NOT EXCEED MAXIMUM OVERALL LOAD CAPACITY 600 LBS.  
MAXIMUM DUMPING LOAD CAPACITY 300 LBS.  
WEIGHT RATING BASED ON EVENLY DISTRIBUTED LOAD.**

## Important Safety Instructions

1. READ ALL INSTRUCTIONS CAREFULLY BEFORE USE. If you do not understand these instructions, need clarification or further explanation, please call our toll free answer line for assistance at **1-800-867-6763**.
2. Do not load Garden Dump Cart with more than 600 lbs. (272 kg). Do not use the dumping feature of the Garden Dump Cart with more than 300 lbs. (136 kg). Weight rating based on evenly distributed load.
3. Do not allow children to use the Garden Dump Cart unsupervised. This Garden Dump Cart is not a toy.
4. This product is not to be used for transporting passengers.
5. This product is not to be used for highway use.
6. Always distribute payload evenly over the surface of the bed.
7. Do not load any items on the top edges of the plastic tray.
8. If any parts become damaged, broken, or misplaced, do not use the Garden Dump Cart until replacement parts can be obtained.
9. Do not operate or use on objects that can cause damage to the pneumatic tires or tubes.  
**Do not inflate tires to more than 30 PSI / 2.07 BAR.**
10. SAVE THESE INSTRUCTIONS!

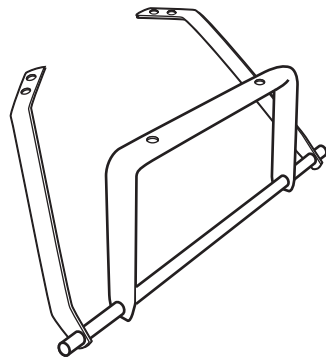
## Assembly Instructions

Your Garden Dump Cart requires assembly. Account for all parts and hardware before beginning assembly. If any parts are missing or damaged, or if you have any questions or need additional instructions, call the manufacturer at **1-800-867-6763**.

Tools required for assembly: standard screwdriver, phillips screwdriver and socket set (or two adjustable wrenches).

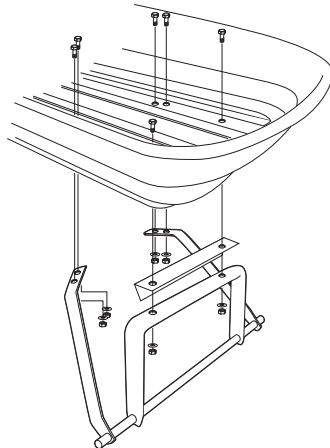
### Step 1

The left and right rear struts are preassembled to the rear axle frame as shown below.



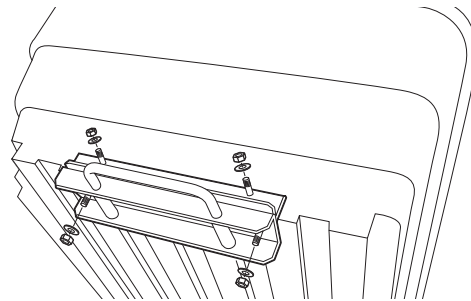
### Step 2

Attach the rear axle assembly and rear axle support bar to the tub using M8X40 truss head bolts (2pcs.), M8 lock nuts (2pcs.), and washers. Then attach left and right rear struts to the tub using M8X20 truss head bolts (4pcs.), M8 locknuts, and washers.



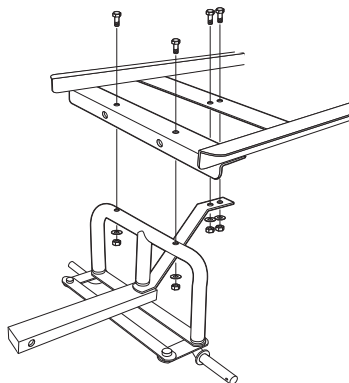
### Step 3

Assemble lock to tub using truss head M8X20 bolts (4pcs.), M8 lock nuts (4pcs.), washers (4pcs.).



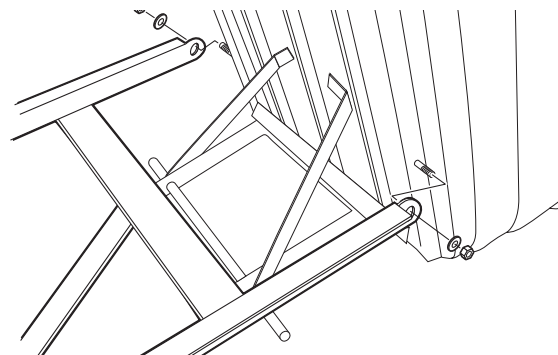
### Step 4

Assemble front axle assembly to front frame using M8X40 bolts (2pcs.), M8 lock nuts (2 pcs.), and washers (2pcs.). Then attach front axle support arm to frame using M8X20 hex headbolts (2 pcs.), lock nuts (2 pcs.), and washers (2pcs.).



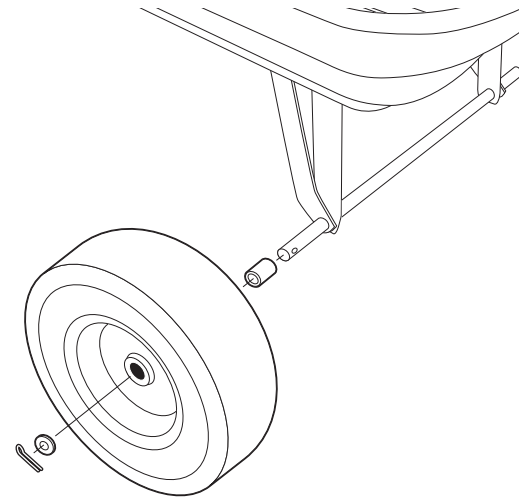
### Step 5

Assemble rear axle assembly to tub using M8X20 truss headbolts, M8 lock nuts, and washers.



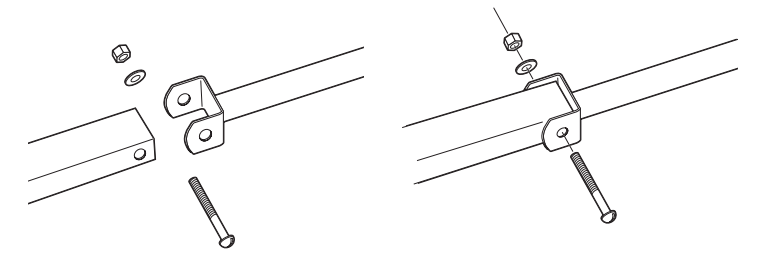
### Step 6

Assemble the wheels using bushings (4pcs.), washers (4pcs.), and cotter pins (4pcs.).



### Step 7

Assemble the handle to the yoke using M8X60 bolt (1pc.), M8 lock nut (1pc.) and washer (1pc.).



## Swivel Handle Instructions

### Step 1

Remove clips and cotter pins.

### Step 2

Rotate the handle and insert cotter pin. Secure by attaching the clip.

### Step 3

The second cotter pin is used to attach the handle to the trailer hitch.

