



For product inquiries:
Tricam
7677 Equitable Drive
Eden Prairie, MN 55344
800-867-6763
www.tricam.com

Medium-Duty Utility Cart



Owners Manual Model GW1240-2

- Important Safety Instructions
- Assembly Instructions
- Parts and Hardware Identification

CAUTION: Read, understand and follow ALL instructions before using this product.

WARNING: Not for recreational use. Persons should never ride in the Utility Cart

Questions, problems, or missing parts? Before returning to your retailer, visit us online at www.tricam.com and complete the replacement parts submission form or call our customer service department at 1-800-867-6763, 9 a.m. - 4 p.m., CST, Monday-Friday.

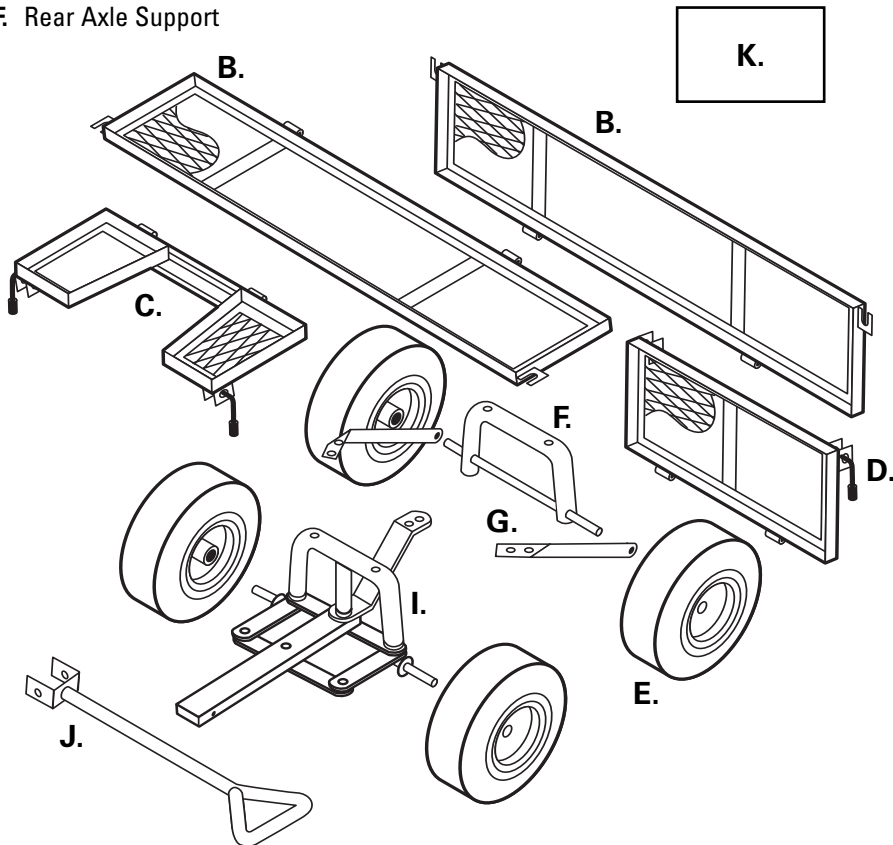
CAUTION

DO NOT EXCEED MAXIMUM OVERALL LOAD CAPACITY 800 LBS (362 KG). PERSON SHOULD NEVER RIDE IN THE UTILITY CART. WEIGHT RATING IS BASED ON AN EVENLY DISTRIBUTED LOAD.

Replacement Parts List

For replacement parts, please visit us online at www.tricam.com to complete the replacement parts submission form or call our customer service department at 1-800-867-6763, 9 a.m. - 4 p.m., CST, Monday - Friday.

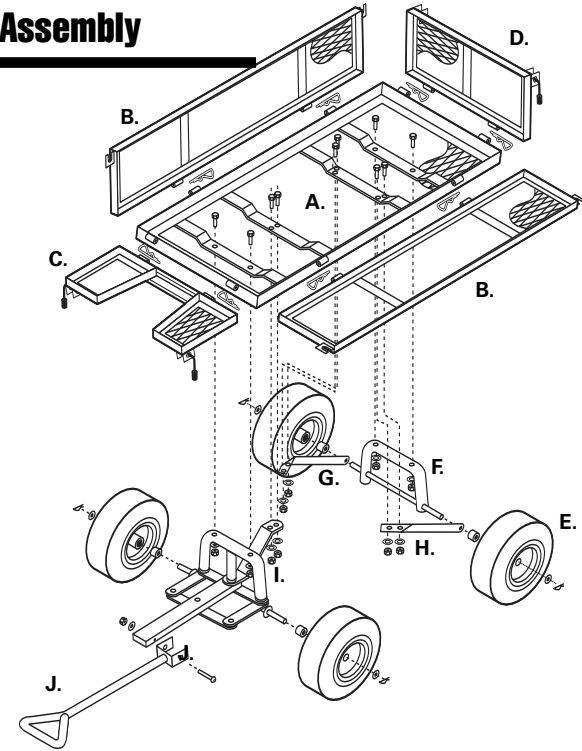
- B. Side Panels
- C. Front Panel
- D. Back Panel
- E. Wheels
- F. Rear Axle Support
- G. Rear Struts
- I. Front Axle Support
- J. Pull Handle
- K. Hardware Kit



Exploded Drawing for Assembly

Parts List

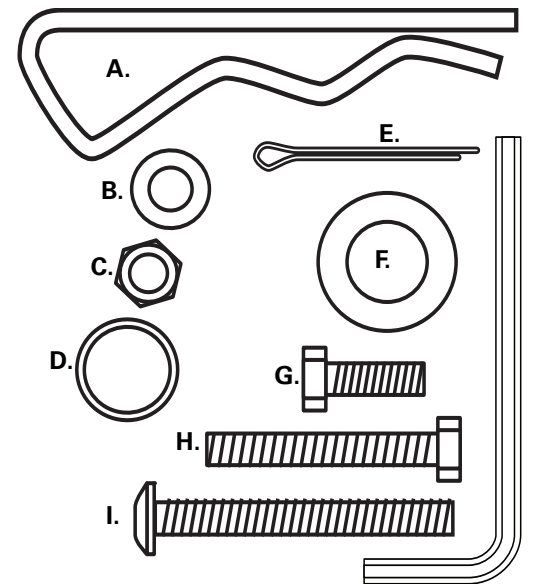
- A. Bed (1)
- B. Side Panels (2)
- C. Front Panel (1)
- D. Back Panel (1)
- E. 10in (25.4cm) Wheels (4)
- F. Rear Axle Support (1)
- G. Left Rear Axle Brace (1)
- H. Right Rear Axle Brace (1)
- I. Front Support Assembly (1)
- J. Handle (1)



Hardware List

Drawings are not to scale

- A. Fence Assembly Pins (8)
- B. M8 Washers (11)
- C. M8 Lock Nuts (11)
- D. Wheel Spacers (4)
- E. Wheel Cotter Pins (4)
- F. Wheel Washers (4)
- G. M8x20 Carriage Support Bolts (6)
- H. M8x45 Carriage Support Bolts (4)
- I. M8x60 Internal Button Head Bolt (1)
- J. Allen Wrench



Important Safety Instructions

1. **READ ALL INSTRUCTIONS CAREFULLY BEFORE USE.** If you do not understand these instructions, need clarification or further explanation, please call our toll free answer line for assistance at **1-800-867-6763** Monday through Friday 9:00 a.m. - 4:00 p.m., CST.
2. Do not exceed the overall maximum load capacity of 800 lbs (362 kg). The weight rating is based on an evenly distributed load.
3. Do not load items on the top edges of the panels. Remove panels before loading oversized items.
4. Do not allow children to use this cart without supervision. This cart is not a toy.
5. Do not use this cart to transport passengers.
6. This cart is not intended for highway use.
7. Do not exceed 5 mph.
8. If any parts become damaged, broken or misplaced, do not use the cart until replacement parts have been obtained.
9. Do not use the cart on surfaces or for transporting objects that can cause damage to the pneumatic tires or tubes.
Do not inflate the tires to more than 30 PSI (2.07 BAR).
10. It is recommended that the cart be inspected for damage before each use.
11. **KEEP THESE INSTRUCTIONS FOR FURTHER REFERENCE.**

Assembly Instructions

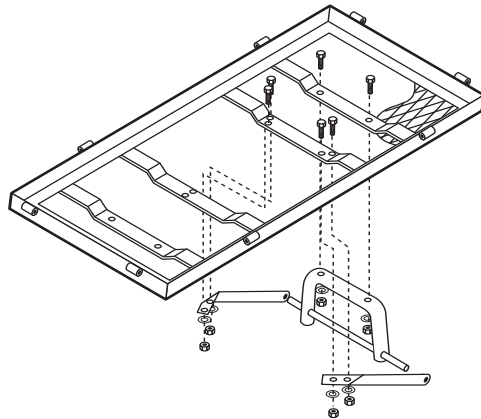
Your utility cart requires assembly. Account for all parts before beginning assembly. If any parts are missing, damaged, or if you have any questions or need additional instructions, **DO NOT RETURN THIS PRODUCT TO THE RETAILER**, visit us at www.tricam.com to complete the replacement parts submission form or call our customer service department at 1-800-867-6763.

Tools required for assembly: wrenches and/or metric socket set. **Refer to the exploded drawing and the parts list on the following pages during assembly.**

NOTE: During each step of assembly, assemble all hardware and hand tighten. Once all the hardware is installed for that particular step, tighten all hardware.

Step 1

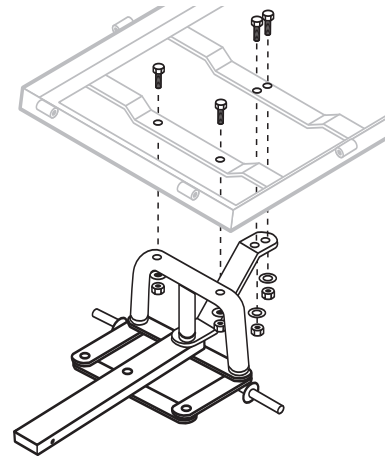
Assemble the rear support assembly to the back of the bed using M8x45 carriage support bolts (2), M8 lock nuts (2), and M8 washers (2). Hand tighten. Next attach the left and right rear axle braces using M8x20 carriage support bolts (4), M8 lock nuts (4), and M8 washers (4). Tighten all nuts securely.



Step 2

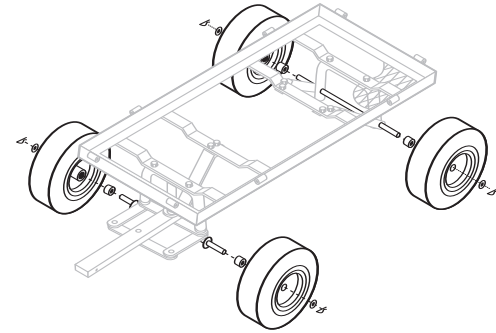
The front support assembly is mostly pre-assembled at the factory. Please make sure all bolts and nuts assembled at the factory are tight.

- A. Attach the front axle support to the bed of the cart using M8x45 carriage support bolts (2), M8 lock nuts (2), and M8 washers (2).
- B. Secure the center front axle brace to the bed of the cart using M8x20 carriage support bolts (2), M8 lock nuts (2), and M8 washers (2).



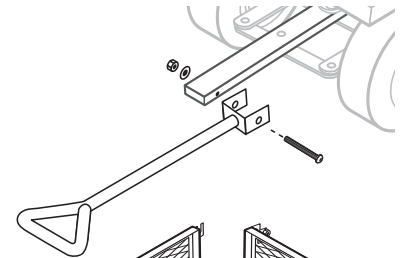
Step 3

Attach the wheels by first placing the wheel spacers (4) onto each axle, then the wheels (4), and wheel washers (4). Insert the cotter pins (4) into the hole at each end of the axles and bend back the ends of the cotter pins to keep them in place.



Step 4

Attach the pull handle to the front axle support using the M8x60 internal button head bolt, M8 lock nut, and M8 washer.



Step 5

The lock handles are pre-assembled onto the panels at the factory.

NOTE: Do not tighten the lock nuts on the lock handles until the end of this step.

Attach the front, back, and (2) side panels onto the bed using the fence assembly pins. Latch the front and back panels to the side panels using the lock handles. Once all panels are locked together in the upright position, tighten all M8 lock nuts on the lock handles for smooth operation without being overly tight.

