

OWNER'S MANUAL

Model MH1120



- Important Safety Instructions
- Assembly Instructions
- Parts and Hardware Identification

Hydraulic Lift Cart

CAUTION:

Read, understand and follow ALL instructions before using this product

RMM Corporation
7677 Equitable Drive
Minneapolis, MN 55344
800-304-1316

IMPORTANT SAFETY INSTRUCTIONS

Read and understand all warnings and instructions prior to using the hydraulic lift table.

1. Always inspect the lift table for damage or excess wear prior to each use.
2. Always use on a flat, level surface.
3. Never lift or transport people using this lift table.
4. Do not exceed maximum lift capacity of 330 pounds or 150 kilograms.

ASSEMBLY INSTRUCTIONS

Your Hydraulic Lift Table requires some assembly. Please refer to the exploded parts diagrams during assembly. If any parts are missing, damaged or if you have questions or need additional instructions **DO NOT RETURN THIS PRODUCT TO THE RETAILER**, call the manufacturer at **1-800-874-3330** ext 212.

STEP 1: Remove the pedal bar, bolt, and washers from the bag and install to the connecting rod on the pump assembly using the enclosed Allen wrench. Make sure the bolt is tightened securely. See illustrations for reference.

STEP 2: Fold the handle to the upright position and make sure it locks into place.

OPERATING INSTRUCTIONS

Using the Brake - The rear wheels of this unit can be locked by simply pressing on the break pedal attached to each rear caster. Press the other side of the brake to release.

Lifting the Table - Press the lift pedal to raise the table to the desired position. The table does not elevate after reaching the highest position even if the lifting pedal is pressed. The table will lower slightly after reaching the highest position.

Lowering the Table - Lower the table using the control handle on the handle grip.

***Note:** This hydraulic cylinder will lower the table very slowly over an extended period of time. Please note that the table will not stay at the same height position indefinitely.

INSPECTION AND MAINTENANCE INSTRUCTIONS

Always inspect the lift table for damage or excess wear before each use. Never use a damaged or excessively worn lift table. Please specifically inspect the unit for the following

1. Check for bending or cracking on the lift table
2. Check for oil leaking from the hydraulic cylinder
3. Check for smooth operation of each wheel
4. Check to ensure the brakes on the rear wheels function properly
5. Verify that all nuts and bolts are securely tightened

To limit wear and tear on your hydraulic lift table, it is recommended to change hydraulic oil every 12 months. It is also important to keep the unit properly lubricated to reduce friction and guarantee long life.

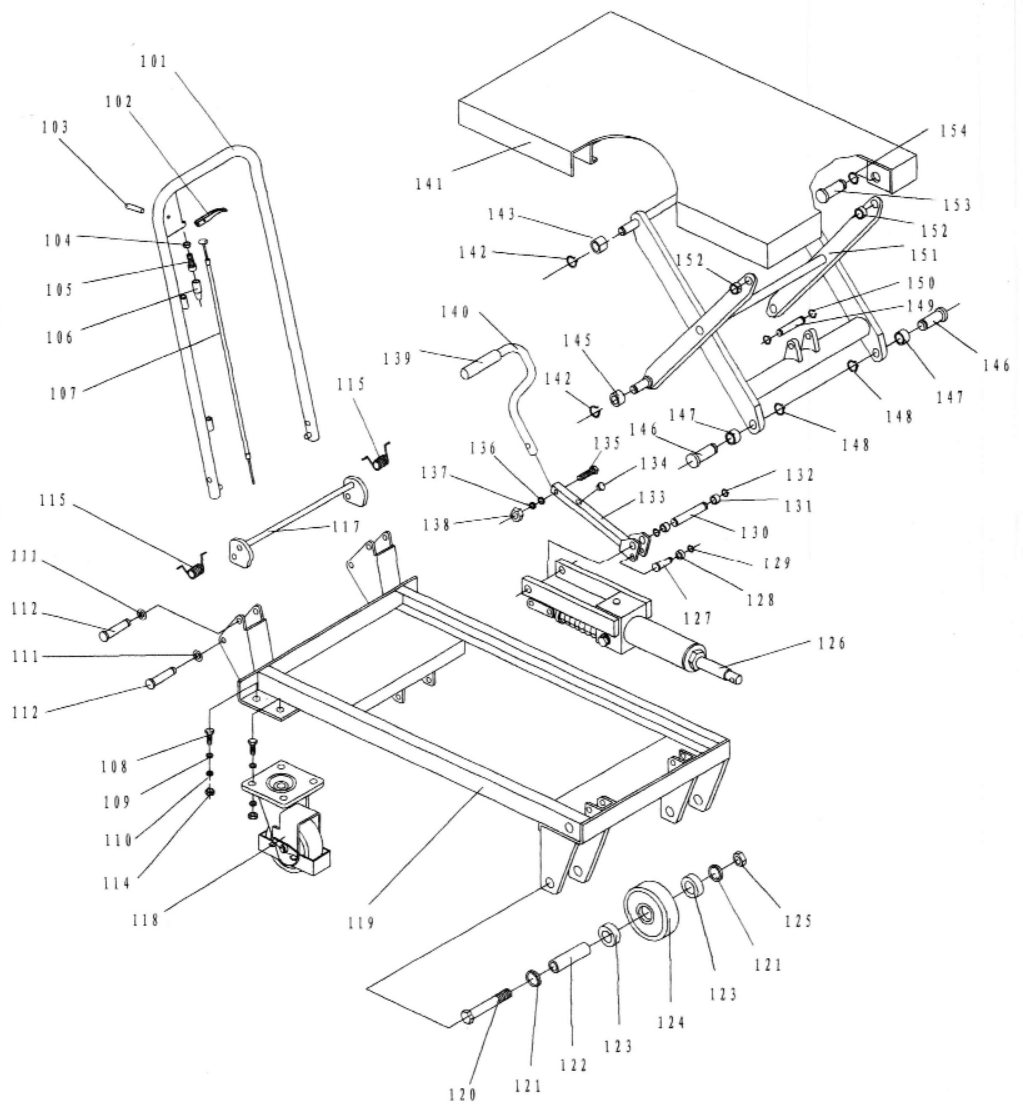
WARNING

Read and understand all warnings and instructions prior to use.

- Inspect the unit prior to each use.
- Do not use if damaged or worn excessively. Keep hands and feet away from scissor mechanism.
- Do not move the unit when the table is in the raised position.
- Always use on a flat, level surface.
- Never lift or transport people.
- Make sure load is safe and secure prior to lifting or moving the unit.
- Use the locking mechanism on the rear wheels prior to lifting or sliding a load off the table.

PARTS AND HARDWARE IDENTIFICATION

- No Description
- 101 Handle Grip- (1)
- 102 Control Handle- (1)
- 103 Elastic Pin- (1)
- 104 Nut- (1)
- 105 Bolt with Hole- (1)
- 106 Jacket- (1)
- 107 Pull Rod- (1)
- 108 Bolt- (8)
- 109 Washer- (8)
- 110 Elastic Washer- (8)
- 111 Retaining Ring- (4)
- 112 Pin- (4)
- 113 N/A
- 114 Nut- (8)
- 115 Spring- (2)
- 116 N/A
- 117 Long Shaft- (1)
- 118 Universal Wheel- (2)
- 119 Frame- (1)
- 120 Pin- (2)
- 121 Washer- (4)
- 122 Axle- (2)
- 123 Bearing- (4)
- 124 Wheel- (2)
- 125 Retaining Ring- (2)
- 126 Pump Unit- (1)
- 127 Pin- (1)
- 128 Washer- (1)
- 129 Retaining Ring- (2)
- 130 Pin- (1)
- 131 Washer- (2)
- 132 Retaining Ring- (2)
- 133 Connecting Rod- (1)
- 134 Cushion- (1)
- 135 Bolt- (1)
- 136 Washer- (1)
- 137 Elastic Washer- (1)
- 138 Nut- (1)
- 139 Protecting Cover- (1)
- 140 Pedal Bar- (1)
- 141 Table- (1)
- 142 Retaining Ring- (6)
- 143 Roller- (2)
- 144 Washer- (4)
- 145 Roller- (2)

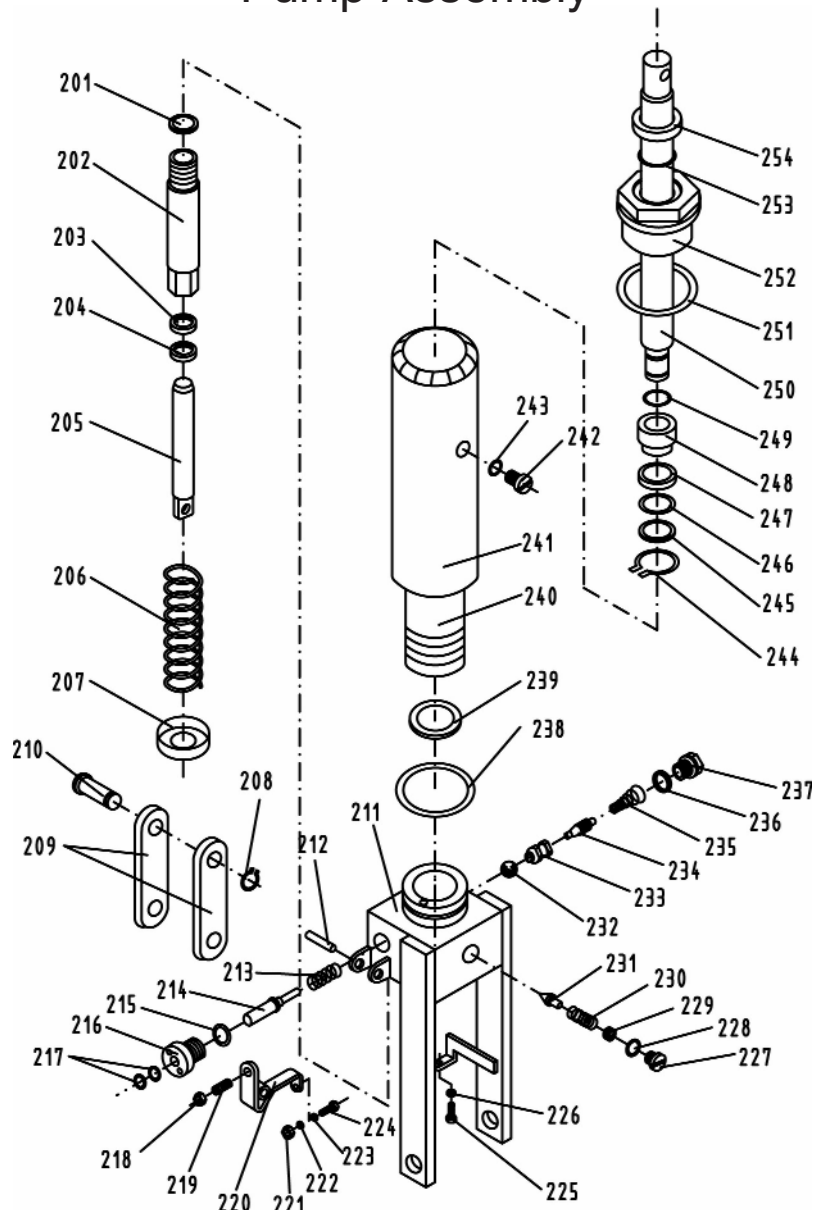


- 146 Pin- (2)
- 147 Bushing- (2)
- 148 Retaining Ring- (2)
- 149 Pin- (1)
- 150 Retaining Ring- (2)
- 151 Fork Arm- (1)
- 152 Bushing- (2)
- 153 Pin- (2)
- 154 Retaining Ring- (2)

PARTS AND HARDWARE IDENTIFICATION

No	Description
201	Seal Washer- (1)
202	Pump Cylinder- (1)
203	Dust Ring- (1)
204	Y - Seal- (1)
205	Pump Piston- (1)
206	Spring- (1)
207	Spring Cap- (1)
208	Retaining Ring- (1)
209	Joint Plate- (2)
210	Pin- (1)
211	Pump Body- (1)
212	Elastic Pin- (1)
213	Spring- (1)
214	Strike Pin- (1)
215	Seal Washer- (1)
216	Axle Sleeve- (1)
217	O - Ring- (2)
218	Nut- (1)
219	Screw- (1)
220	Lever Plate- (1)
221	Nut- (1)
222	Elastic Washer- (1)
223	Washer- (1)
224	Bolt with Hole- (1)
225	Bolt with Hole- (1)
226	Nut- (1)
227	Plug- (1)
228	O - Ring- (1)
229	Adjusting Bolt- (1)
230	Spring- (1)
231	Spindle of Safety Valve- (1)
232	Steel Ball- (1)
233	Seat of Pumping Valve- (1)
234	Spindle of Pumping Valve- (1)
235	Spring- (1)
236	Seal Washer- (1)
237	Plug- (1)
238	O - Ring- (1)
239	Seal Washer- (1)
240	Cylinder- (1)
241	Housing- (1)
242	Bolt- (1)
243	Seal Washer- (1)
244	Retaining Ring- (1)

Pump Assembly



245	Washer- (1)
246	O - Ring- (1)
247	Cup Packing- (1)
248	Piston- (1)
249	O - Ring- (1)
250	Piston Rod- (1)
251	Seal Washer- (1)
252	Cylinder Cap- (1)
253	O - Ring- (1)
254	Dust Ring- (1)