



OWNER'S MANUAL

Model MH1370



- Important Safety Instructions
- Assembly Instructions
- Parts and Hardware Identification

Heavy Duty Wagon

With Removeable Folding Sides

CAUTION:

Read, understand and follow ALL instructions before using this product

**RMM Corporation
7677 Equitable Drive
Minneapolis, MN 55344
800-304-1316**

IMPORTANT SAFETY INSTRUCTIONS

1. **READ ALL INSTRUCTIONS CAREFULLY BEFORE USE.** If you do not understand these instructions, need clarification or further explanation, please call our toll free answer line for assistance at **1-800-304-1316** Monday through Friday 8:00 a.m. until 5:00 p.m. CST.
2. Do not load Wagon with more than 1,000 lbs. (450 kg)
3. Do not allow children to use the cart unsupervised. This Wagon is not a toy.
4. Always distribute payload evenly over surface of Wagon.
5. If any parts become damaged, broken or misplaced do not use the Wagon until replacement parts can be obtained.
6. Do not operate or use on objects that can cause damage to the pneumatic tires or tubes.
Do not inflate tires more than 30 psi.
7. **SAVE THESE INSTRUCTIONS.**

ASSEMBLY INSTRUCTIONS

Your Heavy Duty Wagon requires assembly. Account for all parts and hardware before beginning assembly. If any parts are missing, damaged or if you have questions or need additional instructions **DO NOT RETURN THIS PRODUCT TO THE RETAILER**, call the manufacturer at **1-800-304-1316**.

Tools required for assembly: Medium size slot screwdriver, 6, 8, and 12mm open end wrench and /or two medium adjustable wrenches.

Refer to the exploded drawing and the parts list on the following pages during assembly.

- STEP 1** Turn the cart BED upside down. Use the cardboard from the carton to keep from scratching or damaging the finish.
- STEP 2** Assemble the REAR SUPPORT ASSEMBLY to the frame support using 4 - 6 X16mm Frame Support Bolts and 6mm nuts. Tighten all nuts securely.
- STEP 3** **The front support assembly is mostly pre-assembled at the factory. Please make sure all bolts and nuts assembled at the factory are tight.**
- A. Insert the two remaining shoulder bolts into each end of the Steering Link Connector. Apply 6mm washers and nuts.
 - B. Attach the completed Front Support Assembly to the Frame Support using 4 Frame Support Bolts, washers and nuts.
 - C. Secure the Center Front Axle Brace to the Frame Support using 8mm bolts, washers and nuts.
- STEP 4** Attach the frame support to the crate using 4 - 8 x 15mm bolts, washers, and lock nuts.
- STEP 5** Install the WHEELS in the following order.
- A. Place the Wheel Spacer bushing onto the axle.
 - B. Place the Wheel onto the axle with the valve stem facing out.
 - C. Use the 12mm washer and then the 12mm Nut to secure the wheel. Tighten Securely.
- STEP 6** Turn the cart upright onto its wheels. Attach the Tractor Pull Handle, Yoke Washers, and the Plastic Coupling using the 8 x 60mm pull handle bolt, 8mm washer and nut.
- STEP 7** Attach the Lock Handles onto the front and back fences using 8mm washers and nuts. **NOTE: Do not fully tighten the nuts. These are to be adjusted after finishing the fence assembly.**
- STEP 8** Attach the front back, left and right FENCES using the Fence Assembly Pins. **NOTE: Latch the fences in the upright position using the Lock Handles. Tighten the nuts on the Lock Handles to allow for smooth operation without being overly tight.**

PARTS AND HARDWARE IDENTIFICATION

MAIN FRAME PARTS

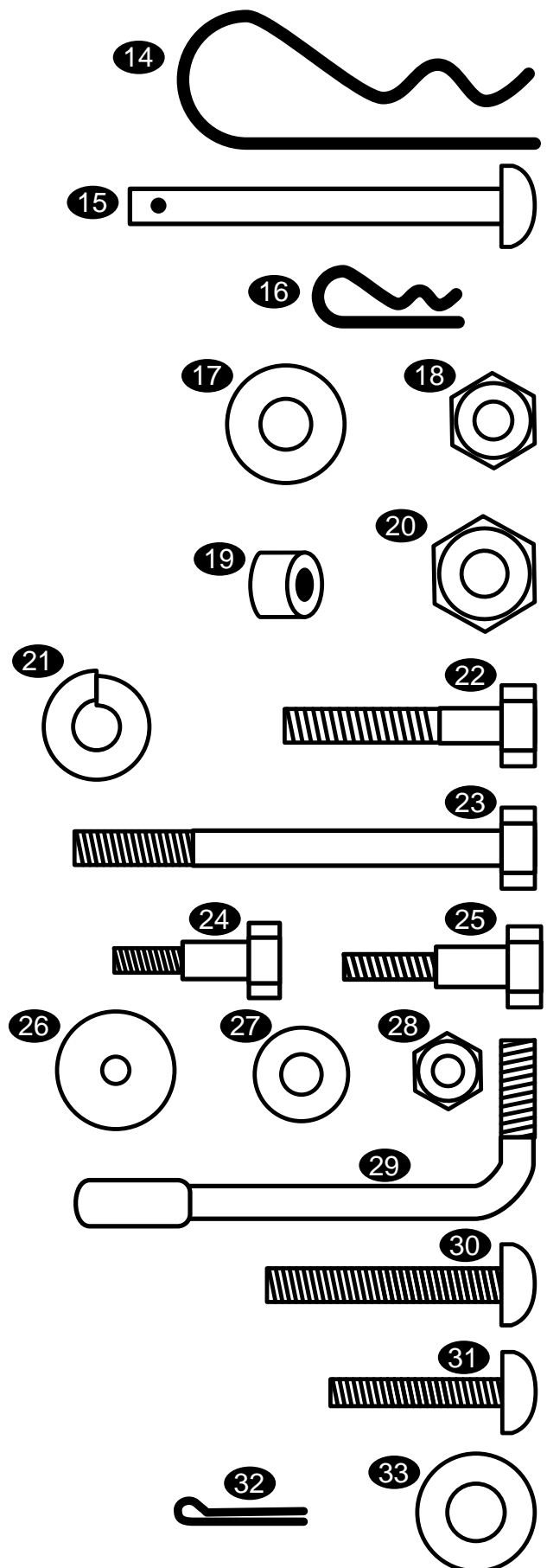
- 1 Bed - (1)
- 2 Sides - (2)
- 3 Front/Back - (2)

SUPPORT ASSEMBLY

- 4 Frame Support - (1)
- 5 13" Wheels - (4)
- 6 Rear Axle Support - (1)
- 7 Front Axle Support - (1)
- 8 Center Front Axle Brace - (1)
- 9 Yoke - (1)
- 10 Steering Link Connector - (1)
- 11 Plastic Coupling - (1)
- 12 Pull Handle - (1)
- 13 Tractor Pull Handle - (1)

ASSEMBLY HARDWARE

- 14 Fence Assembly Pins - (8)
- 15 Handle Clevis Pin - (1)
- 16 Clevis Pin - (1)
- 17 Washer 8mm - (11)
- 18 Nuts w/Lock Inserts 8mm - (11)
- 19 Wheel Spacer Bushings - (4)
- 20 Wheel Nuts 12mm - (4)
- 21 Wheel Washers 12mm - (4)
- 22 Frame Support Bolts 6 x 16mm - (8)
- 23 Pull Handle Bolt 8 x 60mm - (1)
- 24 Short Steering Assembly Shoulder Bolt 8 x 15mm - (3)
- 25 Long Steering Assembly Shoulder Bolt 8 x 17mm - (1)
- 26 Yoke Washers - (2)
- 27 Washers 6mm - (4)
- 28 Nuts w/Lock Inserts 6mm - (12)
- 29 Lock Handle 8mm - (4)
- 30 Frame Support Bolts 8 x 20mm - (2)
- 31 Frame Support Bolts 8 x 15mm - (4)
- 32 Front Axle Cotter pin (1)
- 33 Front Axle Washer 10mm - (1)



EXPLODED DRAWING FOR ASSEMBLY

