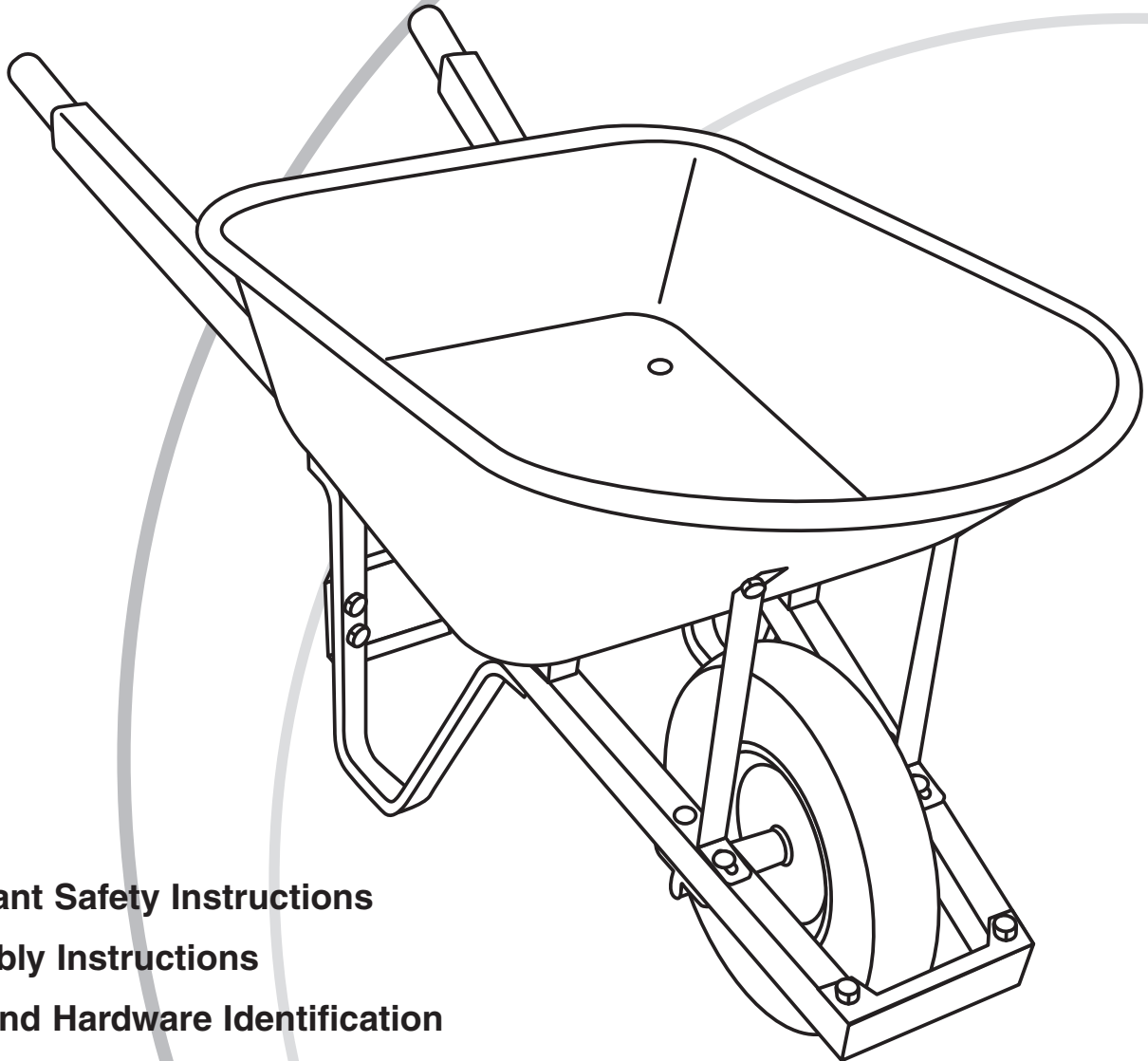




OWNER'S MANUAL

Model MH2175



- Important Safety Instructions
- Assembly Instructions
- Parts and Hardware Identification

6 Cubic Foot

Wheelbarrow

CAUTION:

Read, understand and follow ALL instructions before using this product

Tricam Industries
7677 Equitable Drive
Eden Prairie, MN 55344
800-304-1316

IMPORTANT SAFETY INSTRUCTIONS

1. Read and understand all warning and instructions prior to using the wheelbarrow.
2. Always inspect the wheelbarrow for damage or excess wear prior to each use.
3. Never transport people using this wheelbarrow.

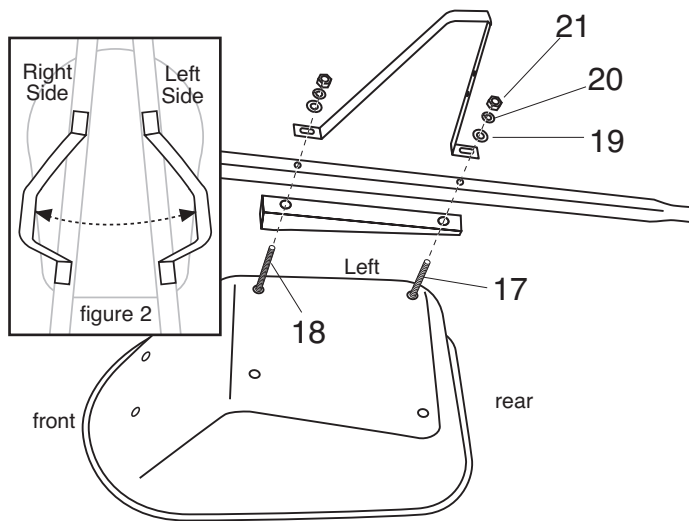
ASSEMBLY INSTRUCTIONS

Your wheelbarrow requires assembly. Account for all parts and hardware before beginning assembly. If any parts are missing or damaged, or if you have any questions or need additional instructions, **DO NOT RETURN THIS PRODUCT TO THE RETAILER**, call the manufacturer at **1-800-304-1316**.

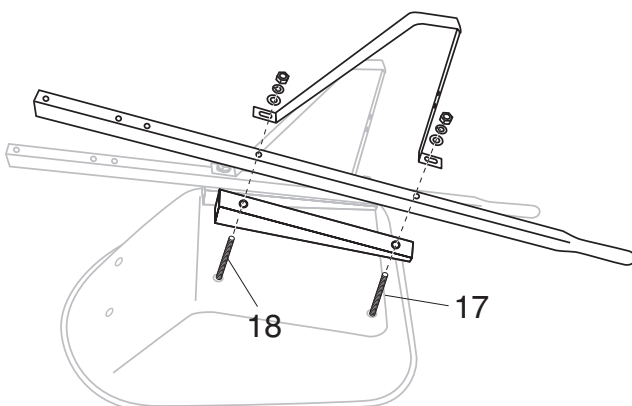
Refer to the parts list on the following pages during assembly.

Do not tighten nuts until you have completed assembly of all parts!

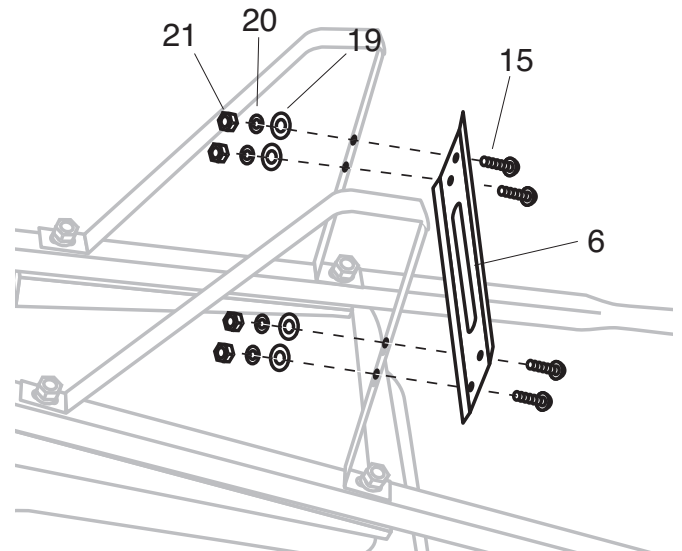
STEP 1 For easy installation, assemble one handle at a time. To do so, insert one 100 mm bolt through the front left hole in the tray per the diagram. Slide the left wood spacer, left handle, and left leg over the bolt end. Insert (1) washer, lock washer, and nut, and hand-tighten only. Position the wood spacer, handle, and leg so that the holes line up with the hole back left hole in the tray. Insert the 75 mm bolt, washer, lock washer, and nut, and hand-tighten only.



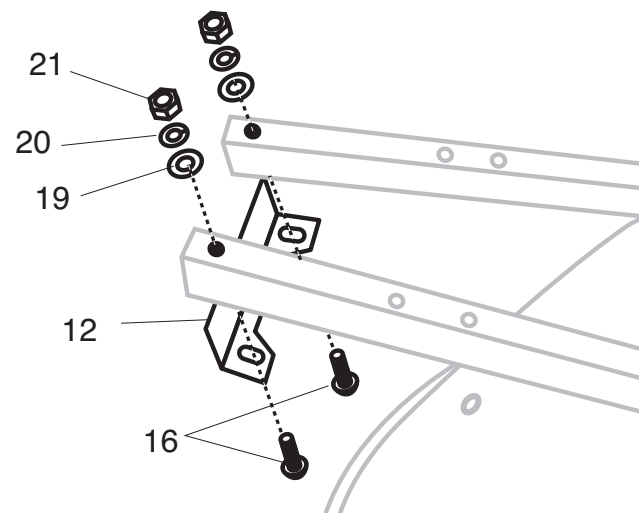
STEP 2 Repeat step 1 for the right wood spacer, right handle, and right leg (hand-tighten only).



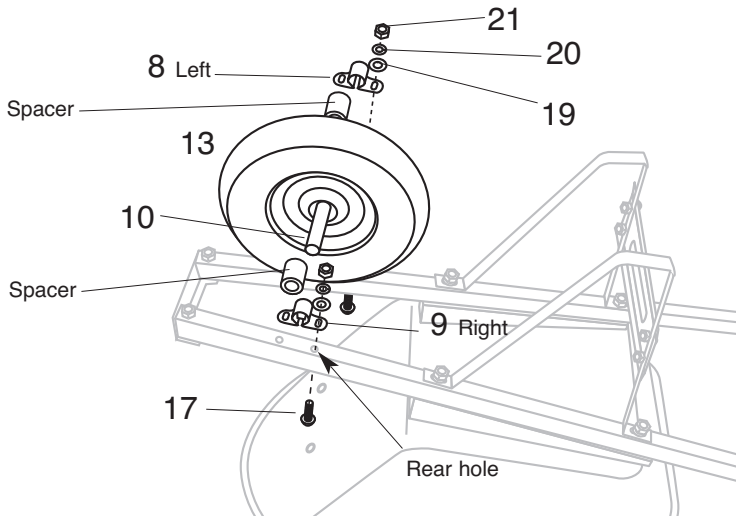
STEP 3 Install leg brace with (4) 20 mm bolts, washers, lock washers, and nuts (hand-tighten only).



STEP 4 Install the nose guard per the diagram using (2) 65 mm bolts, washers, lock washers, and nuts (hand-tighten only).

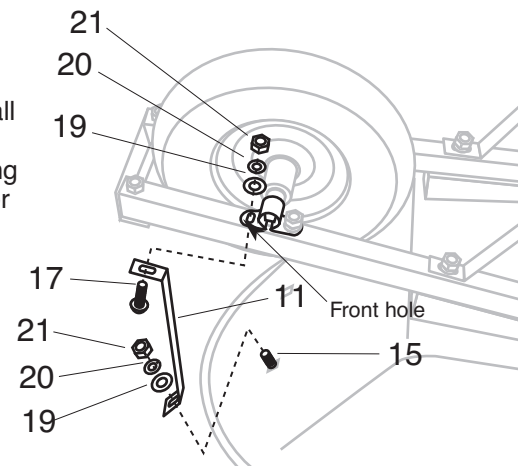


STEP 5 Insert the axle through the wheel. Slide spacers onto each end of the axle. Attach the left and right axle mounts over the axle ends and position the wheel assembly over the holes in the handles. Insert (2) 75 mm bolts through the back holes in the handles and the axle mounts, and attach using (2) washers, lock washers, and nuts (hand-tighten only).



STEP 6 Insert (2) 20 mm bolts through the front holes in the tray. Slide one end of the tray braces over the bolts, attach using (2) washers, lock washers, and nuts (hand-tighten only). Attach the other ends of the tray braces to the front holes in the axle mounts and handles using (2) 75 mm bolts, washers, lock washers, and nuts (hand-tighten only).

STEP 7
Tighten all nuts from all steps completely using a wrench or socket!



Tighten all nuts securely with wrench.

PARTS & HARDWARE IDENTIFICATION

PARTS LIST QTY

1.	Tray	1
2.	Handle (Left)	1
3.	Handle (Right)	1
4.	Leg (Left)	1
5.	Leg (Right)	1
6.	Leg Brace	1
7.	Wood Spacer	2
8.	Axle Mount (Left)	1
9.	Axle Mount (Right)	1
10.	Axle	1
11.	Tray Brace	2
12.	Nose Guard	1
13.	13" Tire	1
14.	Wheel Spacers	2

HARDWARE DESCRIPTION

15.	20 mm Bolt	6
16.	65 mm Bolt	2
17.	75 mm Bolt	6
18.	100 mm Bolt	2
19.	Washer	16
20.	Lock Washer	16
21.	Nut	16