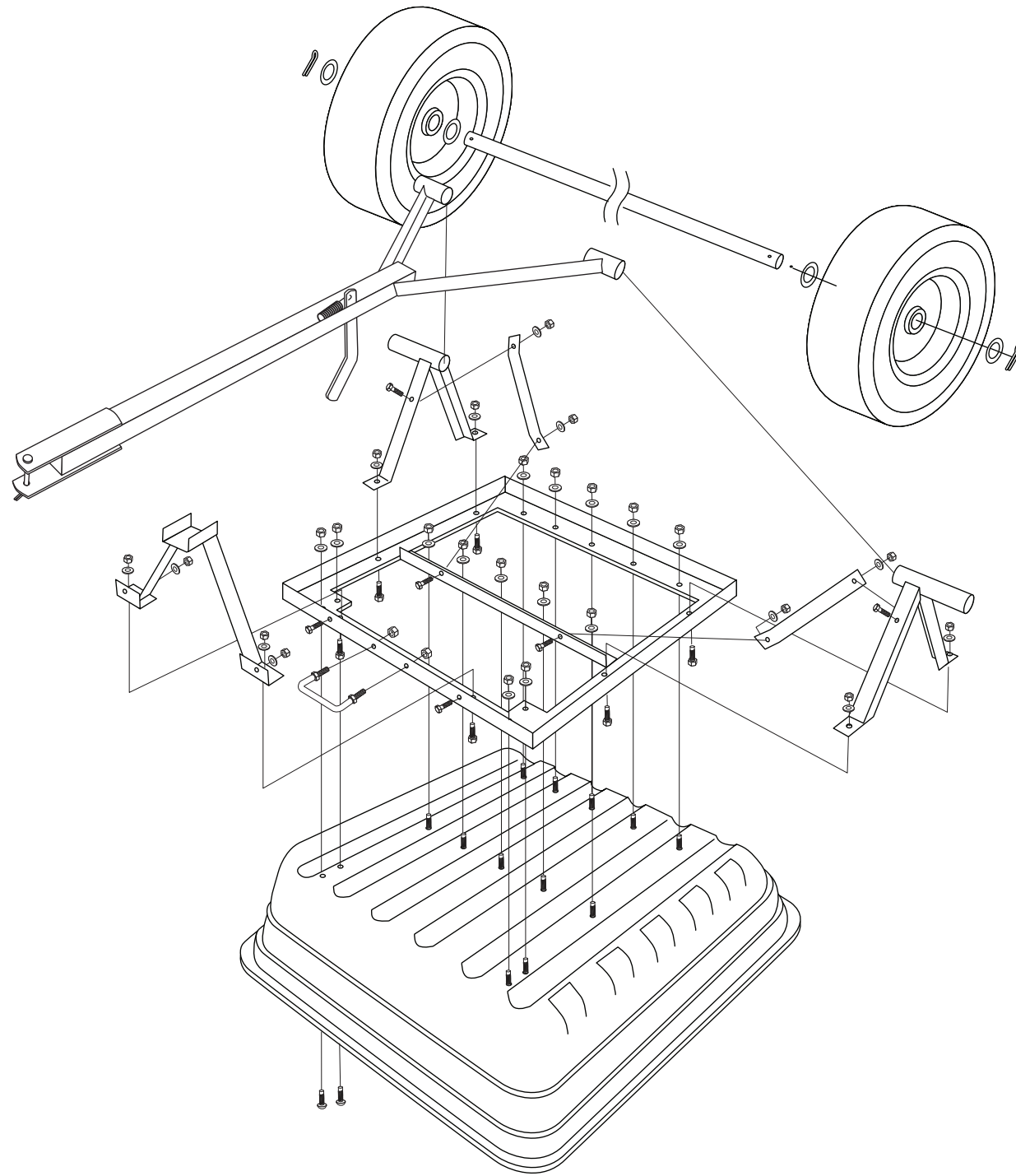


Exploded Drawing for Assembly



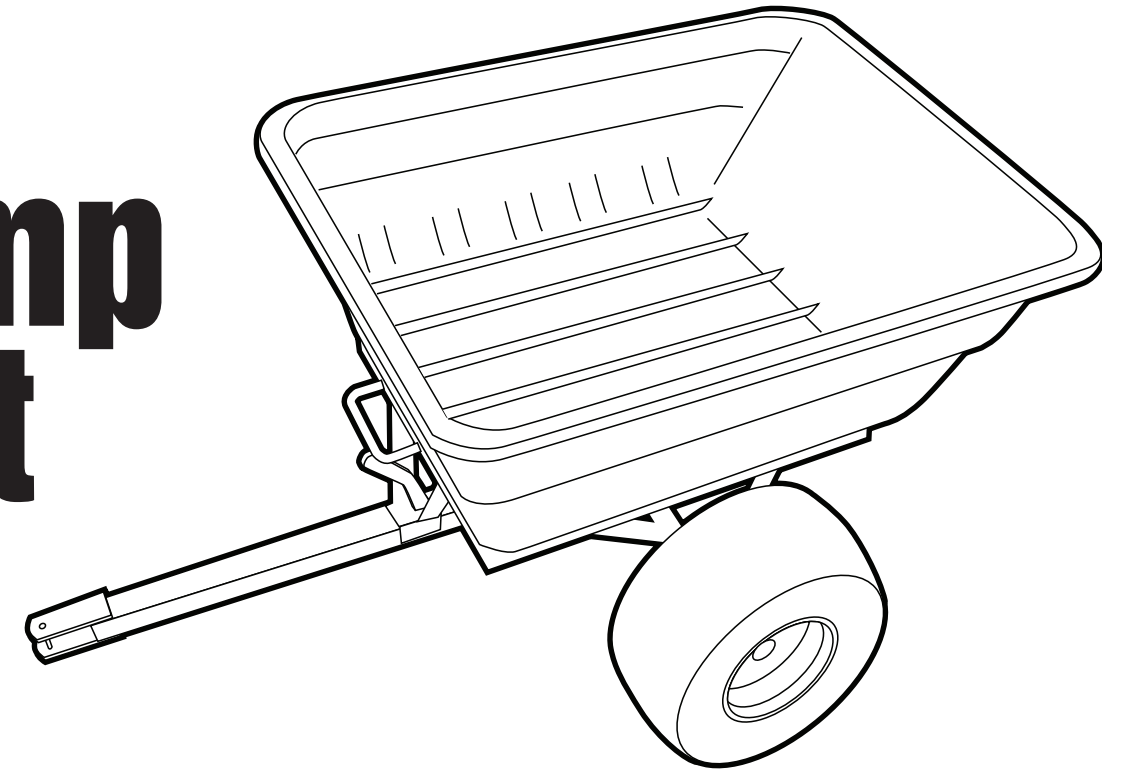
Parts List

Plastic Bed – 1 pc
Yoke – 1 pc
Support Brackets – 2 pcs
Front Bracket – 1 pc
Bracket Braces – 2 pcs
Rear Axle Post – 1 pc

Steel Frame – 1 pc
Tires – 2 pcs
Cotter Pins – 2 pcs
Flat Washers 25mm – 4 pcs
Handle - 1 pc



ATV Dump Cart



Owners Manual Model MH2200

- Important Safety Instructions
- Assembly Instructions
- Parts and Hardware Identification

CAUTION: Read, understand and follow ALL instructions before using this product.

For product inquiries:
Tricam Industires Asia Ltd
7677 Equitable Drive
Eden Prairie, MN 55344
800-867-6763

Important Safety Instructions

1. READ ALL INSTRUCTIONS CAREFULLY BEFORE USE. If you do not understand these instructions, need clarification or further explanation, please call our toll free answer line for assistance at **1-800-867-6763**.
2. Do not load ATV dump cart with more than 660 lbs (299 kg).
3. Do not use the dumping feature of this ATV dump cart when it is loaded with more than 300 lbs (136 kg).
4. This ATV dump cart is intended for work purposes only.
5. Do not allow children to operate this ATV dump cart. This ATV dump cart is not a toy.
5. This product is not to be used for transporting passengers.
6. This product is not to be used for highway use.
7. Do not exceed 9 mph.
8. Always distribute payload evenly over the surface of the bed.
9. Do not load any items on the top edges of the plastic tray.
10. If any parts become damaged, broken, or misplaced, do not use the ATV dump cart until replacement parts can be obtained.
11. Do not operate or use on objects that can cause damage to the pneumatic tires or tubes. Over inflation of tires can result in serious injury. Do not exceed maximum tire PSI. **Do not inflate tires to more than 36 PSI (2.48 BAR)**.
12. SAVE THESE INSTRUCTIONS

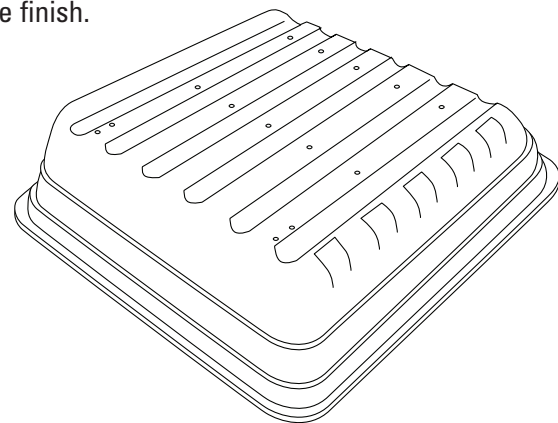
Assembly Instructions

Your ATV dump cart requires assembly. Account for all parts and hardware before beginning assembly. If any parts are missing or damaged, or if you have any questions or need additional instructions, call the manufacturer at **1-800-867-6763**.

Tools required for assembly: standard screwdriver, phillips screwdriver and socket set (or two adjustable wrenches).

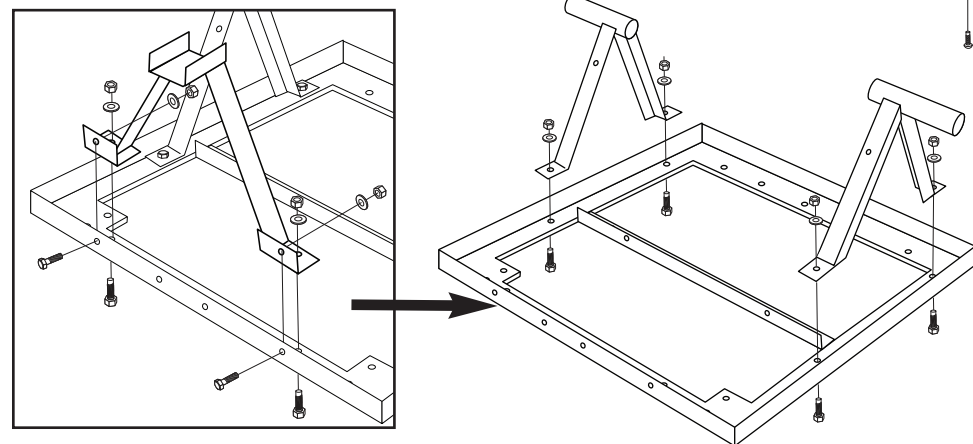
Step 1

Turn dump cart bed upside down. Use the cardboard from the carton to keep from scratching or damaging the finish.



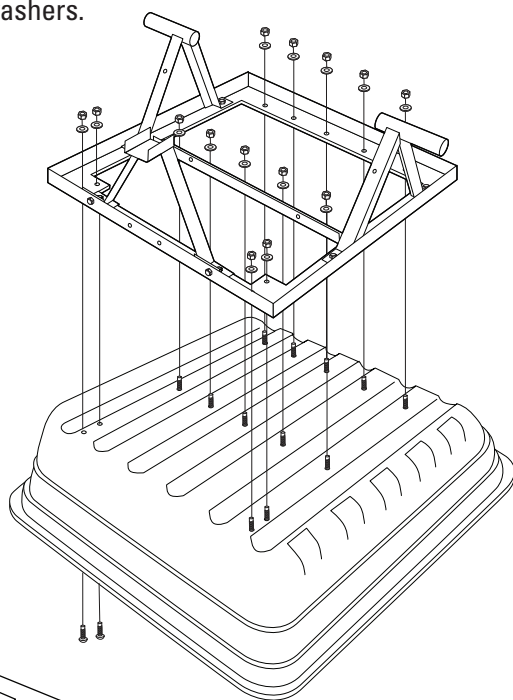
Step 2

Attach the support brackets (3) to the steel frame using (8) M8x20 bolts, M8 lock nuts and 8mm flat washers. ((4) for the front bracket and (4) for the side brackets)



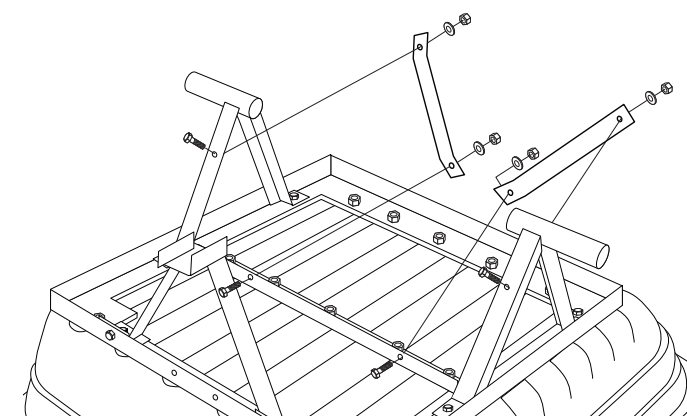
Step 3

Attach the steel frame with support brackets to the plastic bed using (14) round head M8x20 bolts, M8 lock nuts and 8mm flat washers.



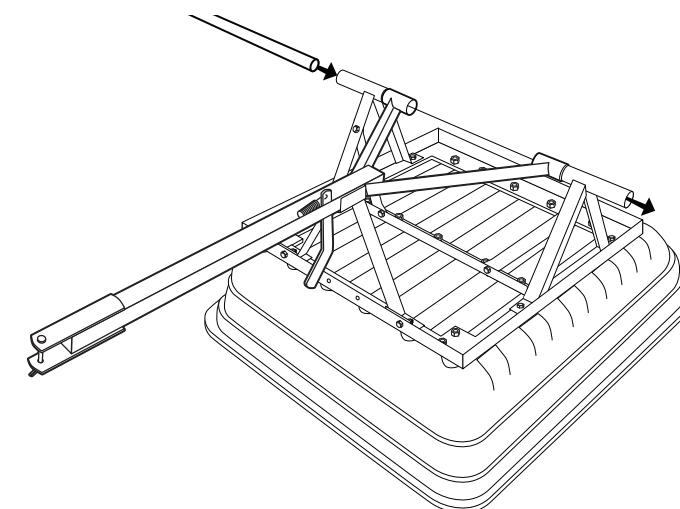
Step 4

Attach (2) bracket braces to the steel frame using (4) M8x20 hexagon head bolts, M8 lock nuts and 8mm flat washers.



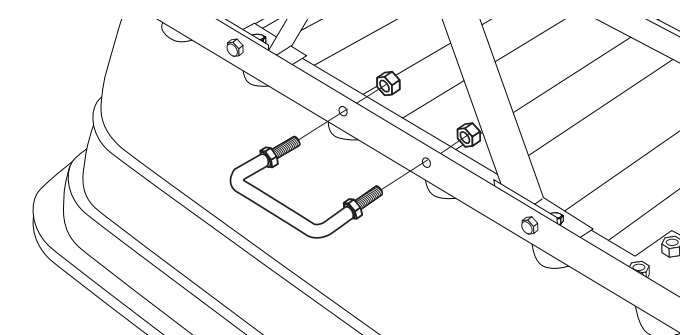
Step 5

Place the yoke on the steel frame. Slide the rear axle post through the yoke and the steel frame.



Step 6

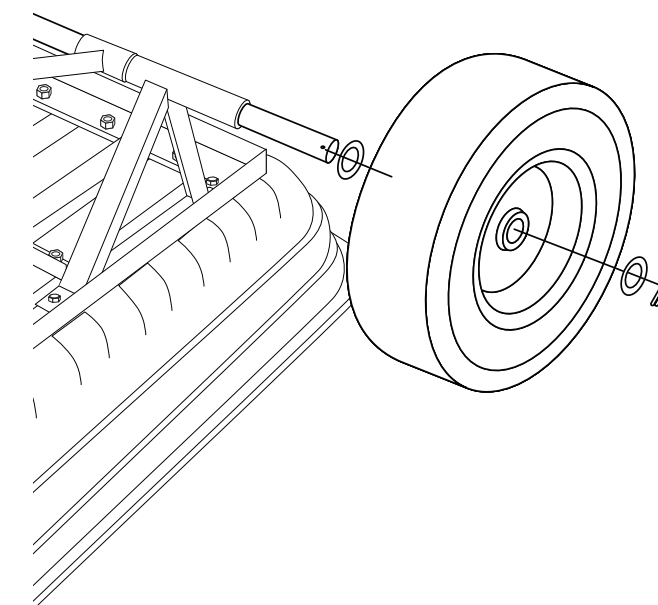
Attach the handle to the steel frame by using M10 lock nuts.



Step 7

Install the tires

1. Place (2) 25mm flat washers onto the rear axle ends.
2. Place the tires onto the rear axle ends with the valve stems facing out.
3. Place (2) 25mm flat washers onto the axles on the outside of each tire.
4. Insert (2) cotter pins through the holes at the end of each axle.
5. Be sure to bend one side of the (2) cotter pins to keep from falling back through the hole in the axle.



Step 8

Turn the ATV dump cart upright onto its tires. Use two people to perform this step, being careful not to lose control of the cart while turning it over. The best way to do this is to flip it over from side to side.

CAUTION

DO NOT LOAD ATV DUMP CART WITH MORE THAN 660 LBS (299 KG)

CAUTION

DO NOT USE THE DUMPING FEATURE OF THIS ATV DUMP CART WHEN IT IS LOADED WITH MORE THAN 300 LBS (136 KG)