

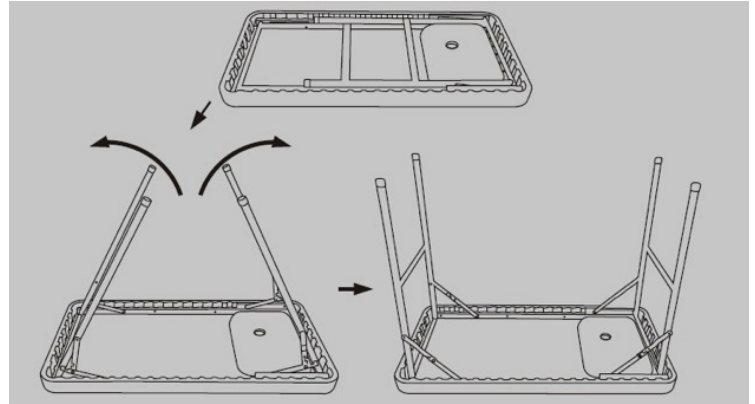
FISH & GAME TABLE

FOLDING FISH STATION ASSEMBLY & SET-UP INSTRUCTIONS

Step 1:

Remove Station from the box and position it on the ground as illustrated below. Open up each leg set and lock into place.

(MAKE SURE LEGS ARE COMPLETELY LOCKED IN POSITION BEFORE USING!)

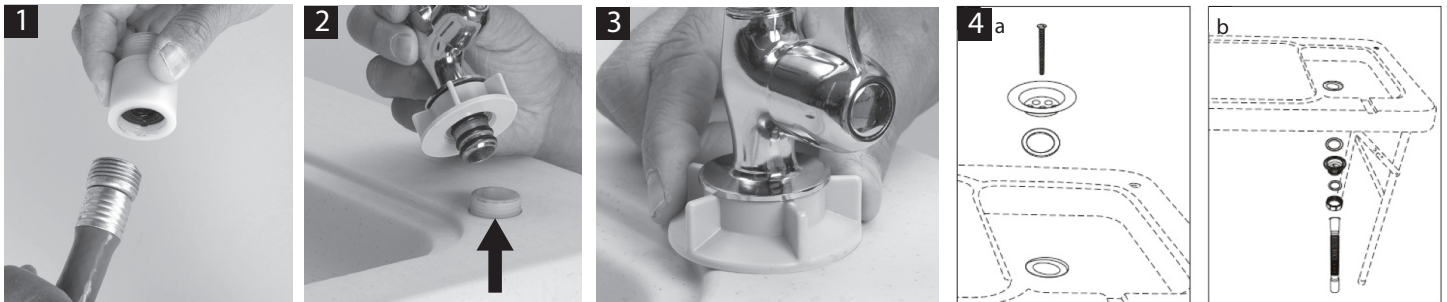


Step 2:

Faucet and Drain Assembly.

- 1) Connect the water hose on the quick connector with rubber washer.
- 2) Place quick connector on hose thru back side of table.
- 3) Insert the faucet with retaining nut, c-clip and O-rings pre-installed into quick connector and tighten.
- 4) Drain Connection:
 - a. The metal drain, screw and rubber washer are placed on the station's top side.
 - b. The rest of the components are placed under the stations top side. (see diagram below)

CAUTION: The white connector comes up from the bottom not the top. (See diagram b)



Step 3:

To Store Table

- 1) Remove faucet.
- 2) Unlock legs and fold.
- 3) Place faucet in storage clips on the backside of the table.

Tricam
7677 Equitable Drive
Eden Prairie, MN 55344
1-800-867-6763
www.tricam.com



WARNINGS: DO NOT DRINK WATER FROM FAUCET. DO NOT SIT OR STAND ON TABLE. DO NOT EXCEED THE OVERALL LOAD CAPACITY OF 150 LBS. DO NOT ALLOW CHILDREN TO USE THIS TABLE WITHOUT SUPERVISION. AVOID ALL PINCH POINTS.