



POLY GARDEN DUMP CART

OWNER'S MANUAL



WARNING:

Read carefully and understand all **ASSEMBLY AND OPERATION INSTRUCTIONS** before operating. Failure to follow the safety rules and other basic safety precautions may result in serious personal injury.

Item# 46532

Thank you very much for choosing a Strongway product! For future reference, please complete the owner's record below:

Model: _____ Purchase Date: _____

Save the receipt, warranty and these instructions. It is important that you read the entire manual to become familiar with this product before you begin using it.

This machine is designed for certain applications only. The distributor cannot be responsible for issues arising from modification. Do not modify this cart or use it for any application other than that for which it was designed.

For technical questions please call **1-800-222-5381**.

INTENDED USE

This dump cart is perfect for moving and unloading supplies around the yard when working on gardening and landscaping projects.

TECHNICAL SPECIFICATIONS

| Item | Description |
|--------------|---|
| Capacity | Overall maximum 600 lbs. load capacity Maximum 300 lbs. dumping load capacity when cart is loaded. |
| Tires | 10 inch Pneumatic Tires Do not inflate the tires to more than 30 PSI. |
| Construction | Poly bed with steel frame. |
| Dimensions | 38 x 20 x 19.5 |

GENERAL SAFETY RULES



WARNING: Read and understand all instructions. Failure to follow all instructions listed below may result in serious injury.



CAUTION: Do not allow persons to operate or assemble this poly garden dump cart until they have read this manual and have developed a thorough understanding of how the poly garden dump cart works.



WARNING: The warnings, cautions, and instructions discussed in this instruction manual cannot cover all possible conditions or situations that could occur. It must be understood by the operator that common sense and caution are factors which cannot be built into this product, but must be supplied by the operator.

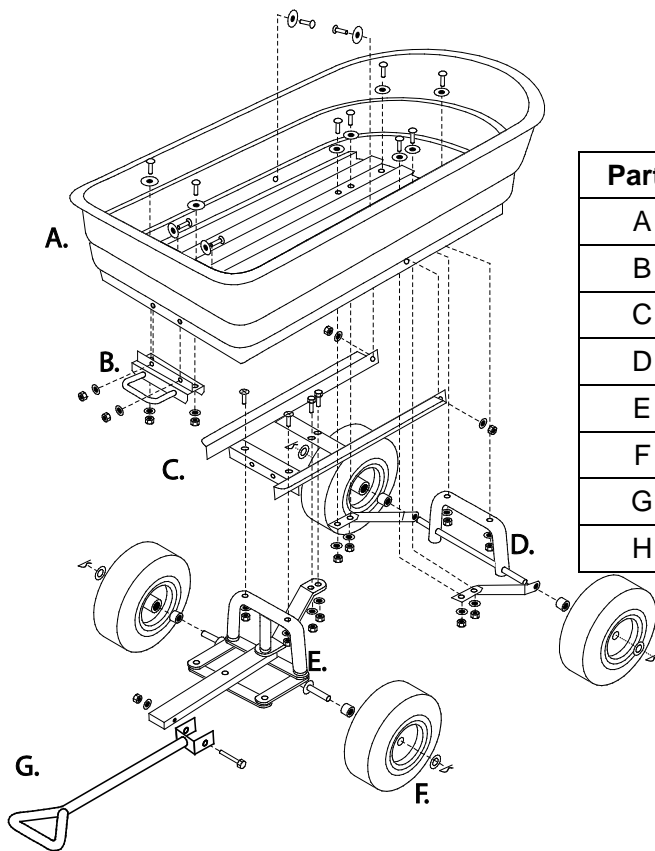
SAVE THESE INSTRUCTIONS

IMPORTANT SAFETY CONSIDERATIONS

- **Do not exceed loading capacity.**
 - **Maximum load capacity:** 600 lbs.
 - **Maximum dumping load capacity:** 300 lbs.
- **Distribute load over the surface of the tray.** Do not load items on the top edges of the tray.
- **Do not modify the dump cart in any way.** Unauthorized modification may impair the function and/or safety and could affect the life of the equipment. There are specific applications for which the poly dump cart was designed.
- **This cart is not intended for highway use.** Do not exceed 5 mph.
- **Do not use this cart for transporting passengers.** Do not allow children to use this cart without supervision. This cart is not a toy.
- **Do not inflate the tires to more than 30 PSI.** Do not use the cart on surfaces or for transporting objects that can cause damage to the pneumatic tires.
- **Always check of damaged or worn out parts before using the poly garden dump cart.** Broken parts will affect the poly dump cart operation. Replace or repair damaged or worn parts immediately.
- **Store idle the dump cart.** When the dump cart is not in use, store it in a secure place out of the reach of children. Inspect it for good working condition prior to storage and before re-use.

EXPLODED DRAWING FOR ASSEMBLY

PARTS LIST



| Part# | Description | Qty. |
|-------|---------------------|------|
| A | Tray | 1 |
| B | Dump Lock Assembly | 1 |
| C | Frame | 1 |
| D | Rear Axle Assembly | 1 |
| E | Front Axle Assembly | 1 |
| F | Tire | 4 |
| G | Pull Handle | 1 |
| H | Hardware Kit | 1 |

HARDWARE LIST

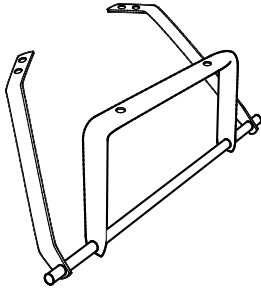
Hardware List

Images are not to scale

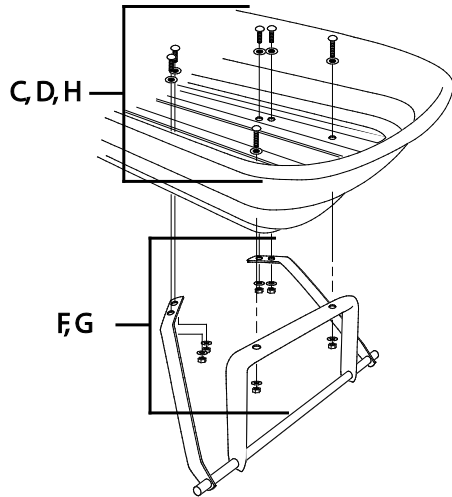
| | |
|---|--|
| <p>A. M8x60 Hex Head Bolt (1)</p> <p>B. M8x40 Phillips Flat Head Bolt (2)</p> <p>C. M8x45 Carriage Bolt (2)</p> <p>D. M8x20 Carriage Bolt (10)</p> <p>E. M8x20 Hex Head Bolt (2)</p> <p>F. M8 Lock Nut (17)</p> <p>G. M8 Washer (17)</p> <p>H. M11 Washer (12)</p> <p>I. M16 Washers (4)</p> <p>J. Cotter Pin (4)</p> <p>K. Wheel Spacers (4)</p> | |
|---|--|

ASSEMBLY

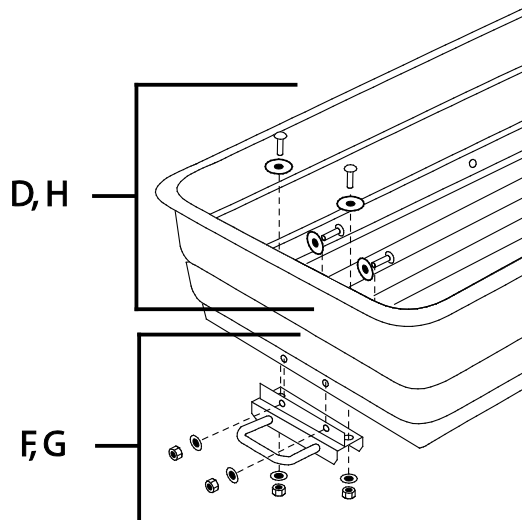
1. Locate the rear axle assembly (the left and right rear struts are pre-assembled to the rear axle frame is shown below).



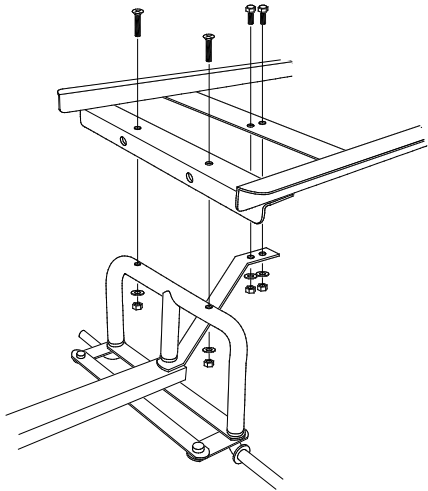
2. Attach the rear axle assembly to the tray using M8x45 carriage bolts (C-2), M11 washers (H-2), M8 washers (G-2), and M8 lock nuts (F-2). Attach the left and right rear struts to the tray using M8x20 carriage bolts (D-4), M11 washers (H-4), M8 washers (G-4), and M8 lock nuts (F-4).



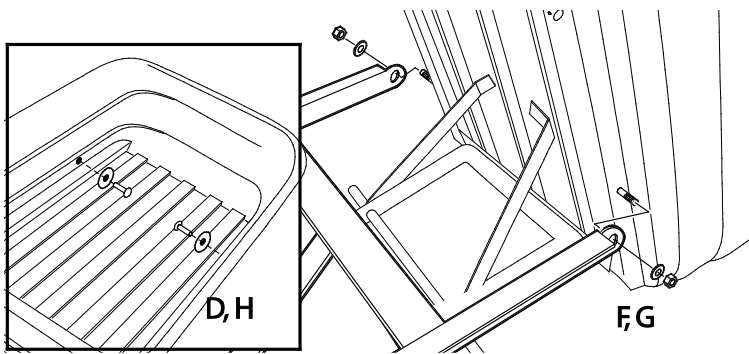
3. Attach the dump lock assembly to the tray using M8x20 carriage bolts (D-4), M11 washers (H-4), M8 washers (G-4), and M8 lock nuts (F-4).



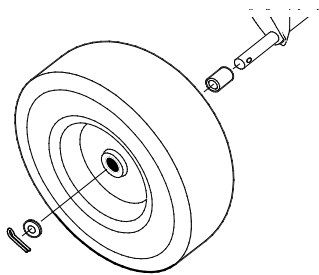
4. Attach the front axle assembly to the front frame using M8x40 Phillips flat head bolts (B-2), M8 lock nuts (F-2), and M8 washers (G-2). Attach the front axle support arm to the frame using M8x20 hex head bolts (E-2), M8 lock nuts (F-2), and M8 washers (G-2).



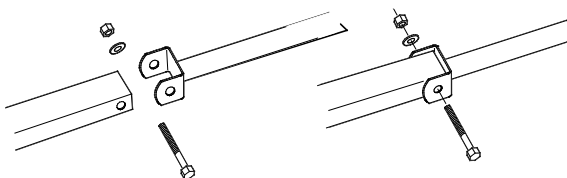
5. Attach the frame to the tray using M8x20 carriage bolts (D-2), M11 washers (H-2), M8 washers (G-2), and M8 lock nuts (F-2).



6. Attach the wheels by first placing the wheel spacers (K-4) onto each axle, then placing the wheel (4) onto each axle and finally placing the wheel washers (I-4). Insert the cotter pins (J-4) into the hole at each end of the axles and bend back the ends of the cotter pins with pliers to keep them in place.



7. Attach the handle to the yoke using M8x60 hex bolt (A-1), M8 lock nut (F-1), and M8 washer (G-1).



OPERATION

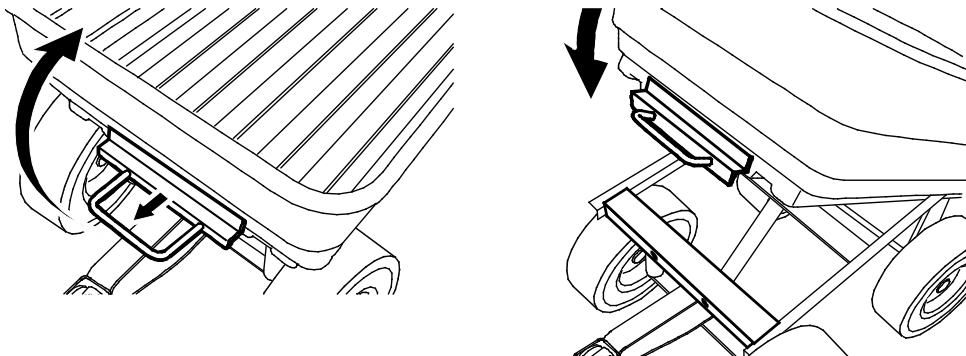
USING THE DUMPING FEATURE

To use the dumping feature, pull the dumping release handle forward in order to release the tray from the locking mechanism. Lift the release handle in order to rotate the tray upward into the dumping position.

WARNING: To reduce risk of injury when dumping, ensure worksite is clear and free of hazards and bystanders.

RETURNING THE TRAY TO THE LOWERED POSITION

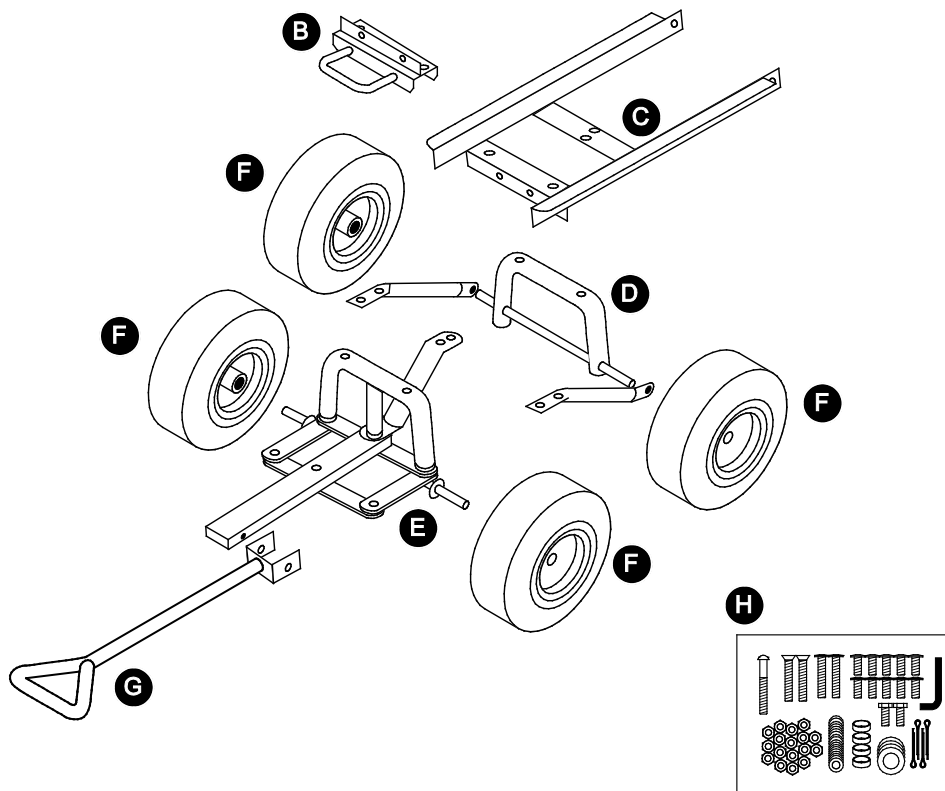
Return the tray back to the lowered position and verify that the dumping release handle locks in place. Avoid pinch points.



MAINTENANCE

- **Maintain your dump cart.** It is recommended that the general condition of any **dump cart** be examined before it is used. Keep your **dump cart** in good repair by adopting a program of conscientious repair and maintenance. Have necessary repairs made by qualified service personnel.

DIAGRAM & REPLACEMENT PARTS LIST



| Part# | Description | Qty. |
|-------|---------------------|------|
| B | Dump Lock Assembly | 1 |
| C | Frame | 1 |
| D | Rear Axle Assembly | 1 |
| E | Front Axle Assembly | 1 |
| F | Tire | 4 |
| G | Pull Handle | 1 |
| H | Hardware Kit | 1 |

For replacement parts and technical questions, please call **1-800-222-5381**.

WARRANTY

1-year limited warranty



Distributed by
Northern Tool + Equipment Co., Inc.
Burnsville, Minnesota 55306
NorthernTool.com
Made in China