



39 Inch L. x 20 Inch W.

600-Lb. Poly Dump Cart

Owner's Manual



! **WARNING:** Read carefully and understand all ASSEMBLY AND OPERATION INSTRUCTIONS before operating. Failure to follow the safety rules and other basic safety precautions may result in serious personal injury.

Item #64136

READ & SAVE THESE INSTRUCTIONS

Thank you very much for choosing a Strongway™ product!

For future reference, please complete the owner's record below:

Serial Number/Lot Date Code: _____

Purchase Date: _____

Save the receipt, warranty, and this manual. It is important that you read the entire manual to become familiar with this product before you begin using it.

This cart is designed for certain applications only. Northern Tool and Equipment is not responsible for issues arising from modification or improper use of this product such as an application for which it was not designed. We strongly recommend that this product not be modified and/or used for any application other than that for which it was designed.

For technical questions, please call **1-800-222-5381**.

Table of Contents

Intended Use.....4

Packaging Contents.....4

Technical Specifications4

Important Safety Information4

Specific Operation Warnings5

Main Parts of Cart6

Assembly Instructions.....7

Before Each Use.....9

Operating Instructions.....10

Maintenance11

Parts Diagram11

Parts List.....11

Replacement Parts12

Limited Warranty.....13

Intended Use

The Strongway 600-Lb. Poly Dump Cart is perfect for moving and unloading supplies around the yard when gardening and landscaping.

Packaging Contents

- Poly Tub
- Handle
- Front Axle Assembly
- Yoke
- Rear Axle
- Rear Struts (2)
- Dump Lock
- Tires (4)
- Hardware Kit

Technical Specifications

Property	Specification
Capacity	Overall maximum 600 lb. load capacity Maximum 300 lb. dumping load capacity when cart is loaded.
Tires	10 inch Pneumatic Tires Do not inflate the tires to more than 30 PSI.
Construction	Poly bed with steel frame.
Dimensions	39" x 20"

Important Safety Information

⚠️WARNING

- Read and understand all instructions. Failure to follow all instructions may result in serious injury or property damage.
- The warnings, cautions, and instructions in this manual cannot cover all possible conditions or situations that could occur. Exercise common sense and caution when using this tool. Always be aware of the environment and ensure that the tool is used in a safe and responsible manner.
- Do not allow persons to operate or assemble the product until they have read this manual and have developed a thorough understanding of how it works.
- Do not modify this product in any way. Unauthorized modification may impair the function and/or safety and could affect the life of the product. There are specific applications for which the product was designed.
- Use the right tool for the job. DO NOT attempt to force small equipment to do the work of larger industrial equipment. There are certain applications for which this equipment was designed. This product will be safer and do a better job at the capacity for which it was intended. DO NOT use this equipment for a purpose for which it was not intended.
- Industrial or commercial applications must follow OSHA requirements.

⚠️WARNING

PERSONAL SAFETY

- Stay alert, watch what you are doing, and use common sense when operating the tool. Do not use the tool while you are tired or under the influence of drugs, alcohol, or medication. A moment of inattention while operating the tool may result in serious personal injury.
- Dress properly. Do not wear loose clothing, dangling objects, or jewelry. Keep your hair, clothing and gloves away from moving parts. Loose clothes, jewelry, or long hair can be caught in moving parts. Air vents on the tool often cover moving parts and should be avoided.
- Do not overreach. Keep proper footing and balance at all times.

⚠️CAUTION

CART USE AND CARE

- Do not force the cart. Products are safer and do a better job when used in the manner for which they are designed. Plan your work, and use the correct product for the job.
- Check for damaged parts before each use. Carefully check that the product will operate properly and perform its intended function. Replace damaged or worn parts immediately. Never operate the product with a damaged part.
- Store the cart when it is not in use. Store it in a dry, secure place out of the reach of children. Inspect the tool for good working condition prior to storage and before re-use.
- Use only accessories that are recommended by the manufacturer for use with your product. Accessories that may be suitable for one product may create a risk of injury when used with another tool. Never use an accessory that has a lower operating speed or operating pressure than the tool itself.

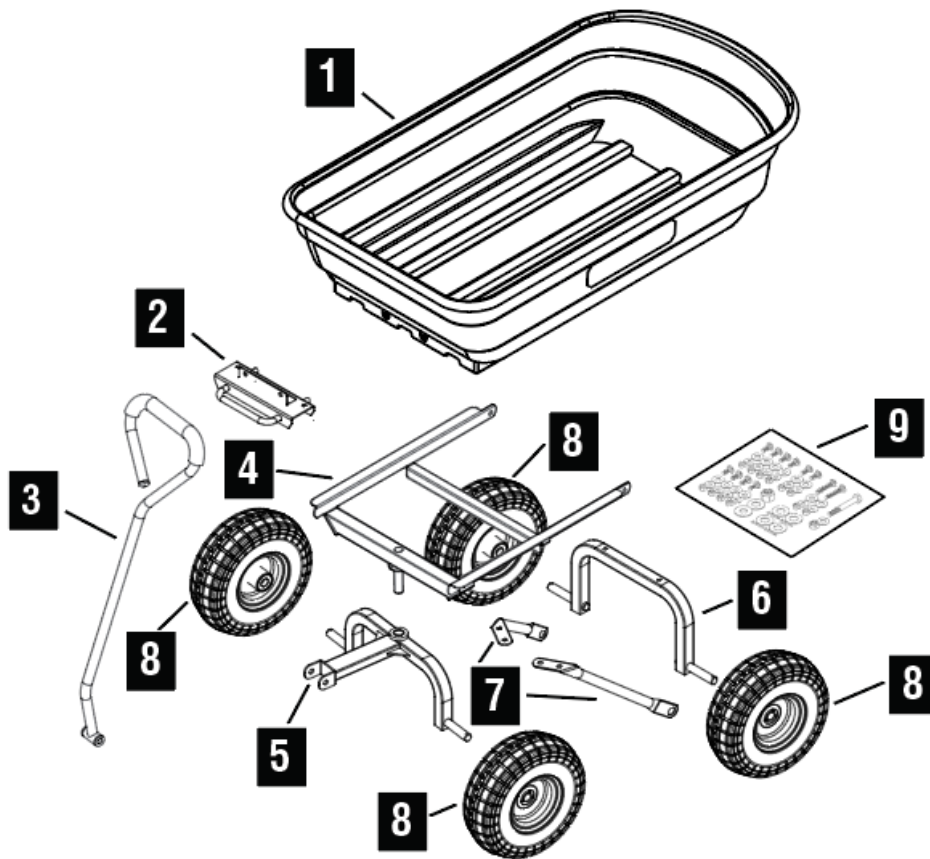
Specific Operation Warnings

⚠️WARNING

- Do not exceed overall maximum loading capacity of 600 lb. or the overall maximum dumping load capacity of 300 lb. The weight rating is based on an evenly distributed load.
- Distribute load over the surface of the tub. Do not load items on the top edges of the tub.
- Do not modify the cart in any way. Unauthorized modification may impair the function and/or safety and could affect the life of the equipment. There are specific applications for which the cart was designed.
- This cart is not intended for highway use. Do not exceed 5 mph.
- This cart is not equipped with brakes. Do not park cart on an incline while loaded.
- Do not pull or tow cart perpendicular to an incline while loaded. Cart may tip over and cause injury.
- Do not use this cart to transport passengers in or on the cart.
- This cart is not a toy and is not to be used by or around children.

- Do not inflate the tires to more than 30 PSI. Do not use the cart on surfaces or for transporting objects that can cause damage to the pneumatic tires.
- Always check of damaged or worn out parts before using the cart. Broken parts will affect the operation. Replace or repair damaged or worn parts immediately.
- Store idle the cart. When the cart is not in use, store it in a secure place out of the reach of children. Inspect it for good working condition prior to storage and before re-use.

Main Parts of Cart



Subassembly
1 – Tub (1)
2 – Dump Lock (1)
3 - Handle (1)
4 - Frame (1)
5 – Front Axle (1)
6 – Rear Axle (1)
7 – Rear Struts (2)
8 – Tires (4)
9 - Hardware Kit (1)

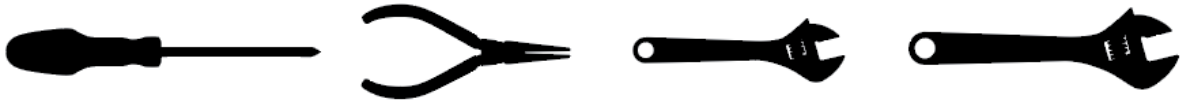
Assembly Instructions

⚠WARNING

- Read and understand all assembly and operating instructions before operating. Failure to follow the safety rules and other basic safety precautions may result in serious personal injury.

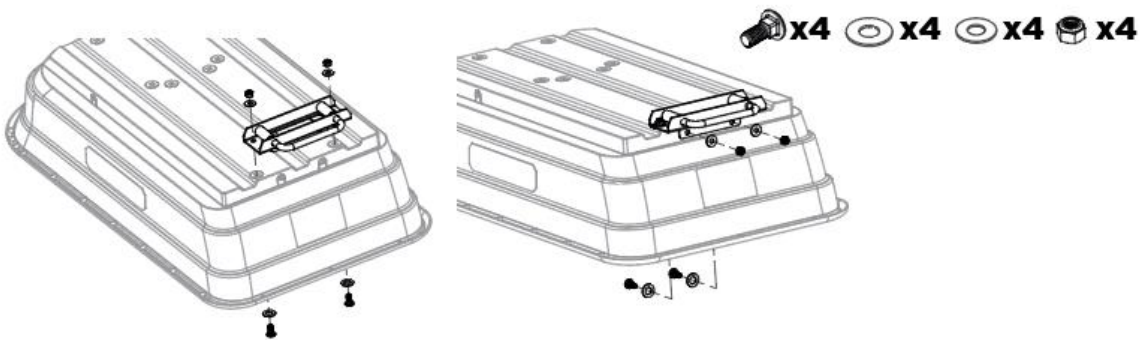
Recommended Tools

Screwdriver, needle-nosed pliers, and adjustable wrenches



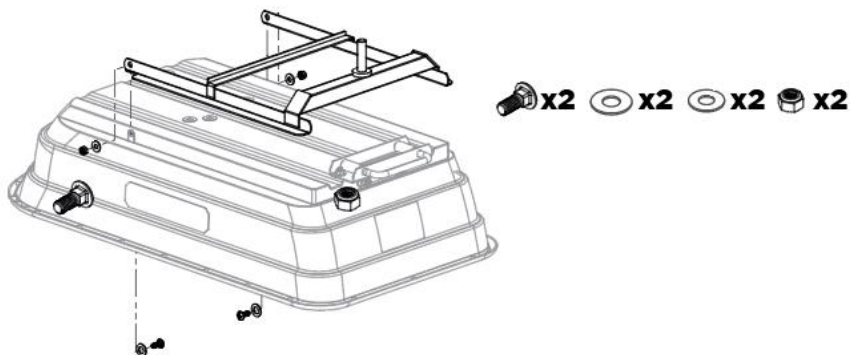
STEP 1

Assemble the dump lock to the tub of the cart. Tighten all bolts securely.



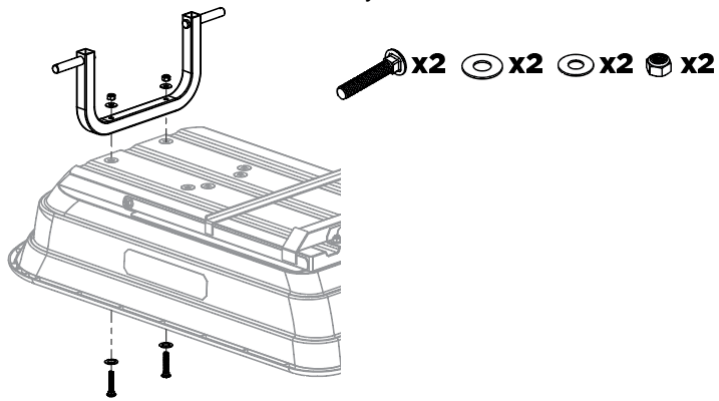
STEP 2

Assemble the front axle assembly to the tub of the cart. Tighten all bolts securely.



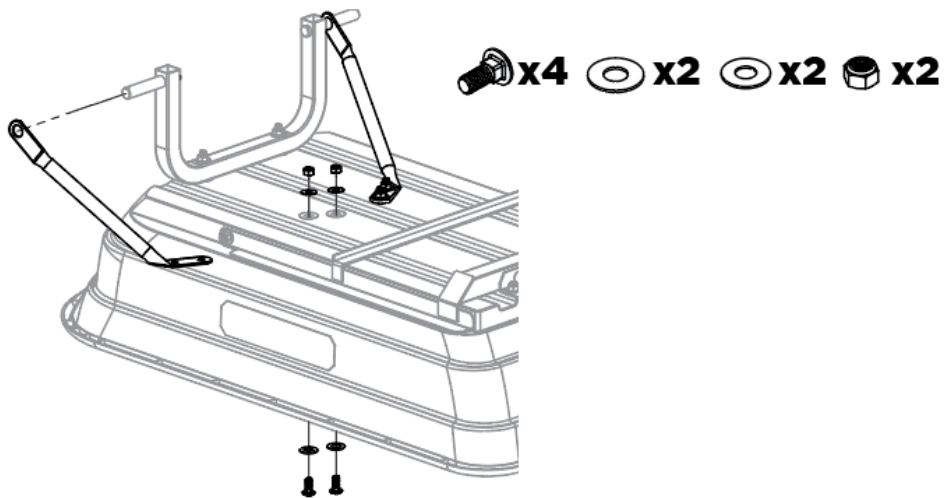
STEP 3

Assemble the rear axle assembly to the tub of the cart.



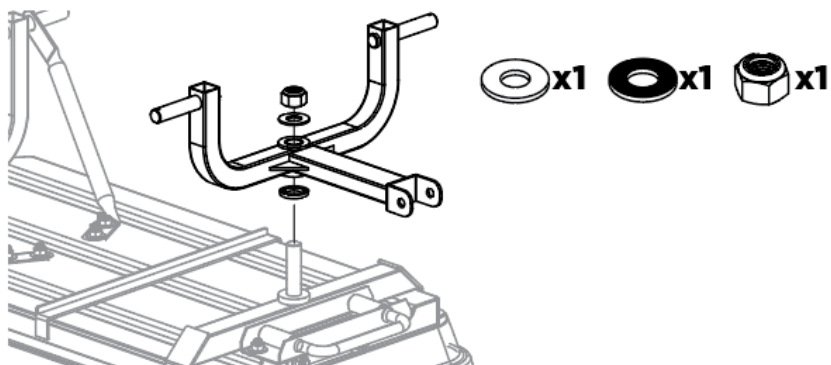
STEP 4

Assemble the rear struts to the rear axle. Tighten all bolts securely.



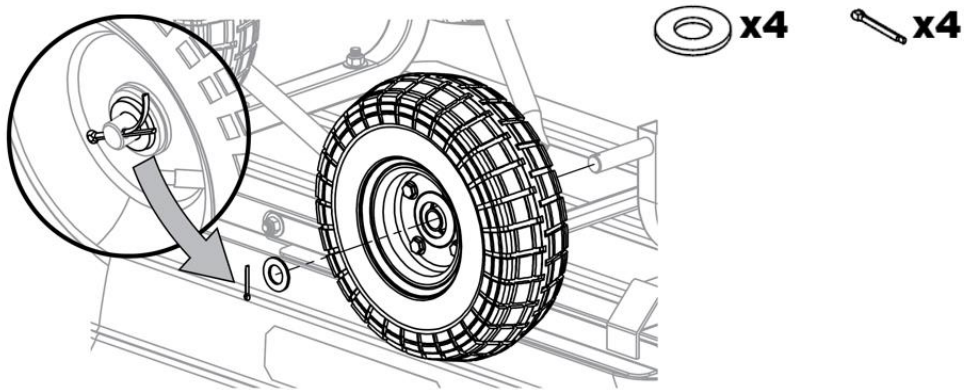
STEP 5

Assemble the yoke to the front axle assembly. Tighten all bolts securely.



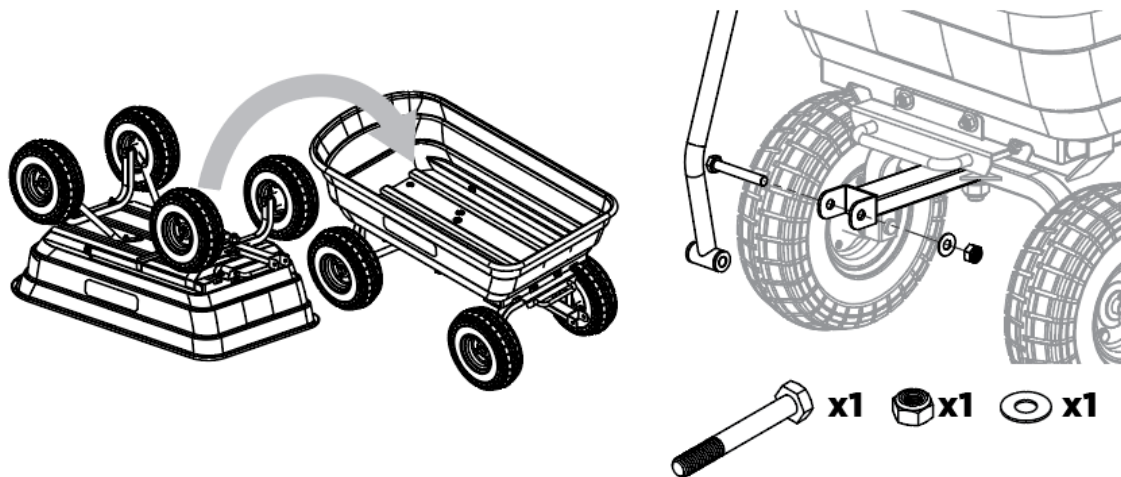
STEP 6

Place the wheels onto each axle (valve stem facing out) and secure using washers and cotter pins. Bend the back the ends of the cotter pins to keep them in place.



STEP 7

Turn the cart over. Slide the handle cap to the handle. Attach the handle to the yoke. Tighten the bolt securely.



Before Each Use

⚠WARNING

- If any parts become damaged, broken, or misplaced, do not use this cart until replacement parts have been obtained.

Operating Instructions

⚠WARNING

- Do not exceed overall maximum loading capacity of 600 lb. or the overall maximum dumping load capacity of 300 lb. The weight rating is based on an evenly distributed load.
- Distribute load over the surface of the tub. Do not load items on the top edges of the tub.
- This cart is not intended for highway use. Do not exceed 5 mph.
- This cart is not equipped with brakes. Do not park cart on an incline while loaded.
- Do not pull or tow cart perpendicular to an incline while loaded. Cart may tip over and cause injury.
- Do not use this cart to transport passengers in or on the cart.
- This cart is not a toy and is not to be used by or around children.
- Do not inflate the tires to more than 30 PSI. Do not use the cart on surfaces or for transporting objects that can cause damage to the pneumatic tires.

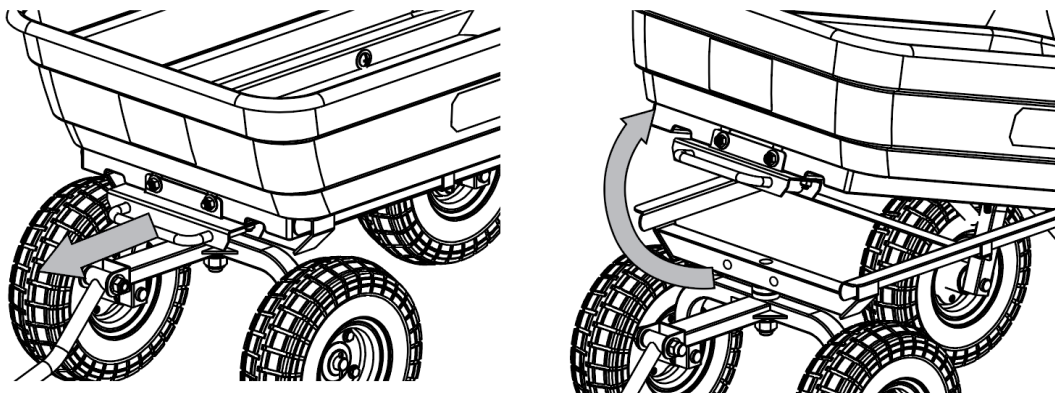
Dumping Feature

To use the dumping feature, pull the dumping release handle forward to release the tub from the locking mechanism. Lift the release handle to rotate the tub upward into the dumping position.

⚠WARNING

- To reduce risk of injury when dumping, ensure the worksite is clear and free of hazards and bystanders.

Return the tub back to the lowered position and verify that the dumping release handle locks in place. Avoid the pinch points.

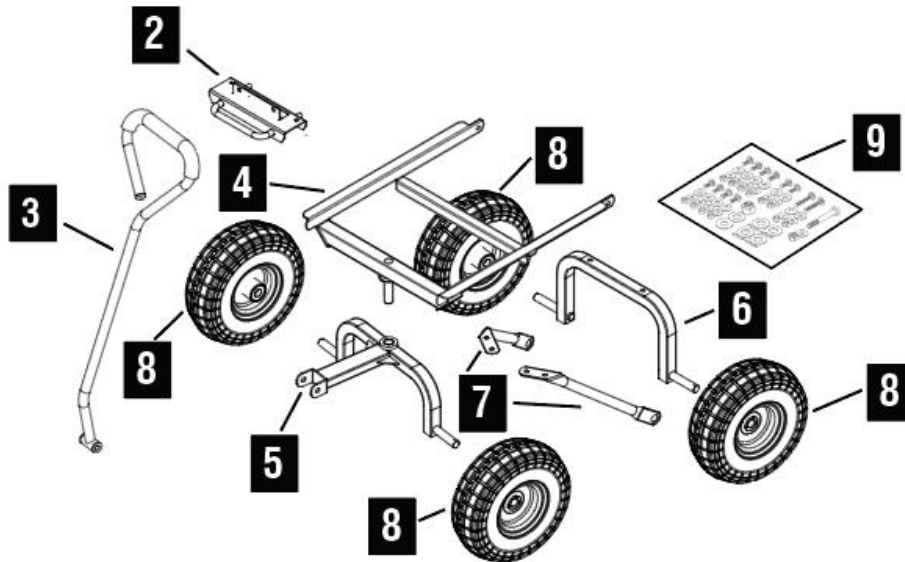


Maintenance

It is recommended the cart be inspected for damage before each use. Check for damaged parts before each use. Carefully check that the cart will operate properly and perform its intended function. When not in use, store in a safe dry place, out of direct sunlight.

Maintenance Interval	Maintenance Point
Before each use	<ul style="list-style-type: none"> Inspect each part of the cart for damage. Inspect the hardware and retighten if any hardware is loose. Check the tire pressure. Tire pressure should be at 30 PSI.

Parts Diagram



Parts List

Reference	Part Description	Quantity
2	Dump Lock	1
3	Handle	1
4	Front Axle	1
5	Yoke	1
6	Rear Axle Assembly	1
7	Rear Struts	2
8	Tires	4
9	Hardware Kit	1

Replacement Parts

- For replacement parts and technical questions, please call Customer Service at **1-800-222-5381**.
- Not all product components are available for replacement. The illustrations provided are a convenient reference to the location and position of parts in the assembly sequence.
- When ordering parts, the following information will be required: item description, item model number, item serial number/item lot date code, and the replacement part reference number.
- The distributor reserves the rights to make design changes and improvements to product lines and manuals without notice.

Limited Warranty

Northern Tool and Equipment Company, Inc. ("We" or "Us") warrants to the original purchaser only ("You" or "Your") that the Strongway product purchased will be free from material defects in both materials and workmanship, normal wear and tear excepted, for a period of one year from date of purchase. The foregoing warranty is valid only if the installation and use of the product is strictly in accordance with product instructions. There are no other warranties, express or implied, including the warranty of merchantability or fitness for a particular purpose. If the product does not comply with this limited warranty, Your sole and exclusive remedy is that We will, at our sole option and within a commercially reasonable time, either replace the product or product component without charge to You or refund the purchase price (less shipping). This limited warranty is not transferable.

Limitations on the Warranty

This limited warranty does not cover: (a) normal wear and tear; (b) damage through abuse, neglect, misuse, or as a result of any accident or in any other manner; (c) damage from misapplication, overloading, or improper installation; (d) improper maintenance and repair; and (e) product alteration in any manner by anyone other than Us, with the sole exception of alterations made pursuant to product instructions and in a workmanlike manner.

Obligations of Purchaser

You must retain Your product purchase receipt to verify date of purchase and that You are the original purchaser. To make a warranty claim, contact Us at 1-800-222-5381, identify the product by make and model number, and follow the claim instructions that will be provided. The product and the purchase receipt must be provided to Us in order to process Your warranty claim. Any returned product that is replaced or refunded by Us becomes our property. You will be responsible for return shipping costs or costs related to Your return visit to a retail store.

Remedy Limits

Product replacement or a refund of the purchase price is Your sole remedy under this limited warranty or any other warranty related to the product. We shall not be liable for: service or labor charges or damage to Your property incurred in removing or replacing the product; any damages, including, without limitation, damages to tangible personal property or personal injury, related to Your improper use, installation, or maintenance of the product or product component; or any indirect, incidental or consequential damages of any kind for any reason.

Assumption of Risk

You acknowledge and agree that any use of the product for any purpose other than the specified use(s) stated in the product instructions is at Your own risk.

Governing Law

This limited warranty gives You specific legal rights, and You also may have other rights which vary from state to state. Some states do not allow limitations or exclusions on implied warranties or incidental or consequential damages, so the above limitations may not apply to You. This limited warranty is governed by the laws of the State of Minnesota, without regard to rules pertaining to conflicts of law. The state courts located in Dakota County, Minnesota shall have exclusive jurisdiction for any disputes relating to this warranty.



Distributed by:

Northern Tool & Equipment Company, Inc.

Burnsville, Minnesota 55306

www.northerntool.com

Made in China