

# STRONGWAY™

## 3-in-1 Convertible Logging Wagon

Owner's Manual



**⚠ WARNING:** Read carefully and understand all ASSEMBLY AND OPERATION INSTRUCTIONS before operating. Failure to follow the safety rules and other basic safety precautions may result in serious personal injury.

Item #6047168

**SAVE THESE INSTRUCTIONS**

Thank you very much for choosing a Strongway™ product!

For future reference, please complete the owner's record below:

Serial Number/Lot Date Code: \_\_\_\_\_

Purchase Date: \_\_\_\_\_

Save the receipt, warranty, and this manual. It is important that you read the entire manual to become familiar with this product before you begin using it.

This wagon is designed for certain applications only. Northern Tool & Equipment is not responsible for issues arising from modification or improper use of this product such as an application for which it was not designed. We strongly recommend that this product not be modified and/or used for any application other than that for which it was designed.

For technical questions, please call **1-800-222-5381**.

## Table of Contents

Intended Use.....	4
Technical Specifications .....	4
Important Safety Information .....	4
Specific Operation Warnings .....	6
Main Parts of Wagon.....	7
Assembly Instructions.....	8
Before Each Use.....	14
Operating Instructions.....	15
After Each Use.....	15
Maintenance .....	15
Parts Diagram.....	16
Parts List.....	16
Replacement Parts .....	17
Limited Warranty.....	18

## Intended Use

Strongway's 3-in-1 Convertible Logging Wagon is perfect for hauling oversized loads such as wood, rock, and other solid material.

## Technical Specifications

Property	Specification
Rated Capacity	1800 lbs
Tires	18 inch pneumatic
Construction	Steel
Bed Dimensions (inches)	72 x 38
Wagon Width (inches)	52

## Important Safety Information

### **⚠WARNING**

- Read and understand all instructions. Failure to follow all instructions may result in serious injury or property damage.
- The warnings, cautions, and instructions in this manual cannot cover all possible conditions or situations that could occur. Exercise common sense and caution when using this wagon. Always be aware of the environment and ensure that the wagon is used in a safe and responsible manner.
- Do not allow persons to operate or assemble the wagon until they have read this manual and have developed a thorough understanding of how it works.
- Do not modify this wagon in any way. Unauthorized modification may impair the function and/or safety and could affect the life of the wagon. There are specific applications for which the wagon was designed.
- Use the right wagon for the job. DO NOT attempt to force small equipment to do the work of larger industrial equipment. There are certain applications for which this equipment was designed. It will be a safer experience and the wagon will do a job better at the capacity for which it was intended. DO NOT use this wagon for a purpose for which it was not intended.
- Double check the assembly of the wagon to be sure it was assembled correctly and all nuts and bolts are tight before initial use and all pins are inserted and locked.

### **⚠WARNING**

- This product may contain chemicals known to the State of California to cause cancer, birth defects or other reproductive harm.

## **⚠️WARNING**

### **WORK AREA SAFETY**

- Inspect the work area before each use. Keep work area clean, dry, free of clutter, and well-lit. Cluttered, wet, or dark work areas can result in injury. Using the wagon in confined work areas may put you dangerously close to cutting tools and rotating parts.
- Keep children and bystanders away from the work area while operating the wagon. Do not allow children to handle the wagon.
- Be aware of all power lines, electrical circuits, water pipes, and other mechanical hazards in your work area. Some of these hazards may be hidden from your view and may cause personal injury and/or property damage if contacted.

## **⚠️WARNING**

### **PERSONAL SAFETY**

- Stay alert, watch what you are doing, and use common sense when operating the wagon. A moment of inattention while operating the wagon may result in serious personal injury.
- Dress properly. Do not wear loose clothing, dangling objects, or jewelry. Keep your hair, clothing and gloves away from moving parts. Loose clothes, jewelry, or long hair can be caught in moving parts.
- Wear the proper personal protective equipment when necessary.
- Do not overreach. Keep proper footing and balance at all times.
- Do not use the wagon when tired or under the influence of drugs, alcohol or medication.
- Avoid moving parts.

## **⚠️CAUTION**

### **WAGON USE AND CARE**

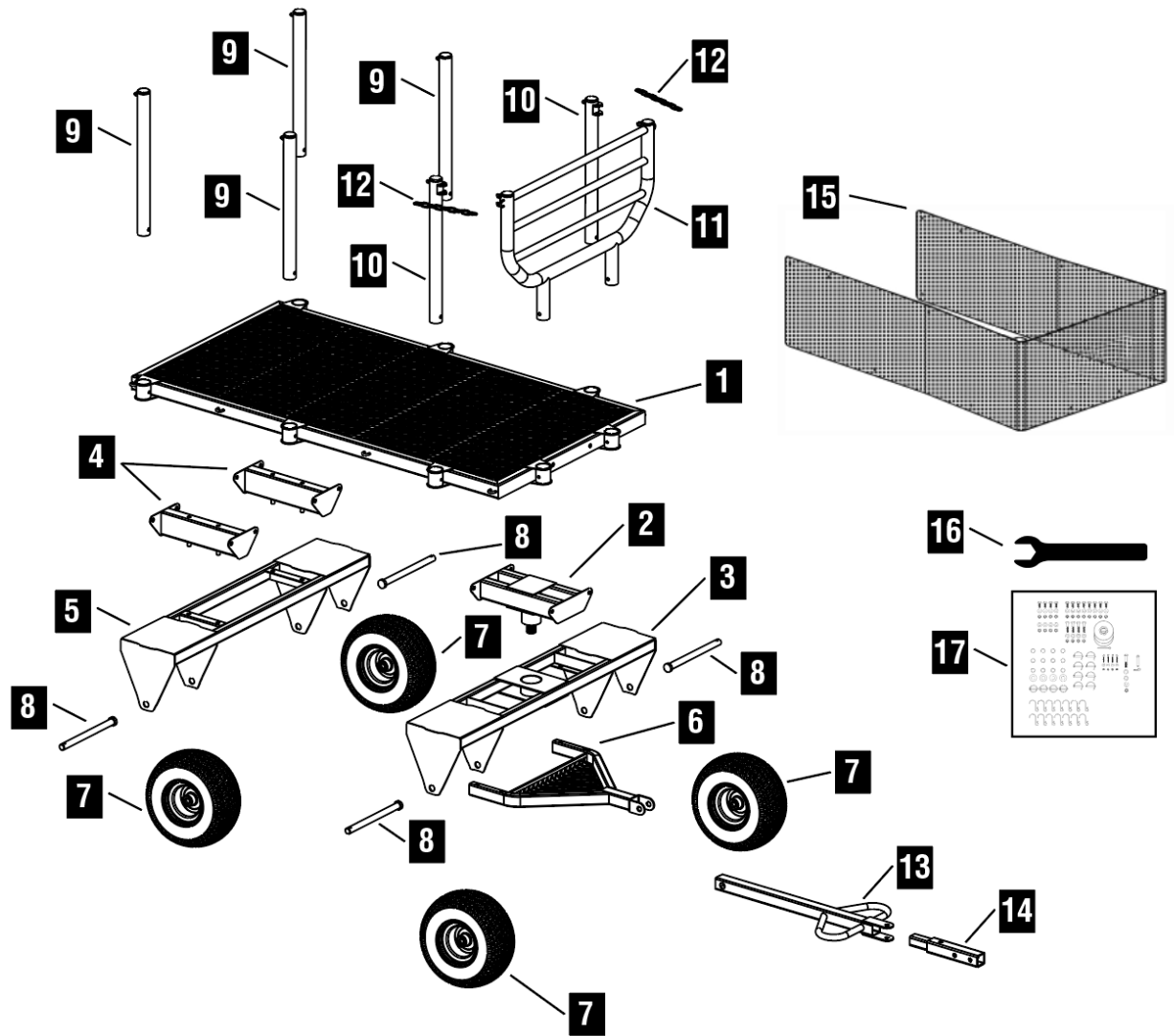
- Do not force the wagon. Products are safer and do a better job when used in the manner for which they are designed. Plan your work and use the correct product for the job.
- Check for damaged parts before each use. Carefully check that the product will operate properly and perform its intended function. Replace damaged or worn parts immediately. Never operate the wagon with a damaged part.
- Store the wagon when it is not in use. Store it in a dry, secure place out of the reach of children. Inspect the wagon for good working condition prior to storage and before re-use.
- Use only accessories that are recommended by the manufacturer for use with your product. Accessories that may be suitable for one product may create a risk of injury when used with another wagon.

## Specific Operation Warnings

### **⚠WARNING**

- Do not exceed the overall maximum load capacity of 1800 lbs. The weight rating is based on an evenly distributed load.
- Do not tow behind a vehicle on a road or in any high speed situation.
- Do not load items on the top edges of the posts. Remove posts before loading oversized items. Use caution when removing the posts.
- Do not use the wagon to transport passengers or animals in or on the wagon.
- The wagon is not intended for highway use. Do not exceed 10 mph.
- Always operate at reduced speeds in rough terrain.
- Reduce the vehicle's speed and allow extra stopping distance when towing heavy loads.
- Avoid large holes and ditches when transporting loads.
- The wagon is not equipped with brakes. Do not park the wagon on an incline while loaded.
- Always block the wheels when loading and/or unloading the wagon.
- Always use caution when operating on steep grades. The wagon may tip and cause injury.
- Do not pull or tow the wagon perpendicular to an incline while loaded. The wagon may tip over and can cause injury.
- Do not make sharp turns that may cause the vehicle to contact the wagon.
- Always use caution when backing the wagon.
- The wagon is not a toy and is not intended to be used by or around children.
- Do not modify this wagon in any way. Unauthorized modification may impair the function and/or safety and could affect the life of the equipment. There are specific applications for which the wagon was designed.
- Do not inflate the tires to more than 22 PSI. Do not use the wagon on surfaces or for transporting objects that can cause damage to the pneumatic tires.
- Periodically check all nuts, bolts, and pins for tightness. Nuts, bolts, and pins may become loose from vibration.
- Always check for damaged or worn parts before using this wagon. Broken parts will affect the operation. Replace or repair damaged or worn parts immediately.
- Store the wagon when idle. When the wagon is not in use, store it in a secure place out of reach of children. Inspect it for good working condition prior to storage and before re-use.
- Always use caution when loading and unloading the wagon.

## Main Parts of Wagon



Reference	Subassembly
1	Wagon Base (1)
2	Front Axle Pivot (1)
3	Front Axle (1)
4	Rear Axle Mount (2)
5	Rear Axle (1)
6	Yoke (1)
7	Tire (4)
8	Axle Shaft (4)
9	Rear Post (4)
10	Front Post (2)
11	Front Panel (1)
12	Chain (2)
13	Handle (1)
14	Coupler Adapter (1)
15	Cargo Net (1)
16	Wrench (1)
17	Hardware Kit (1)

## Assembly Instructions

### ⚠WARNING

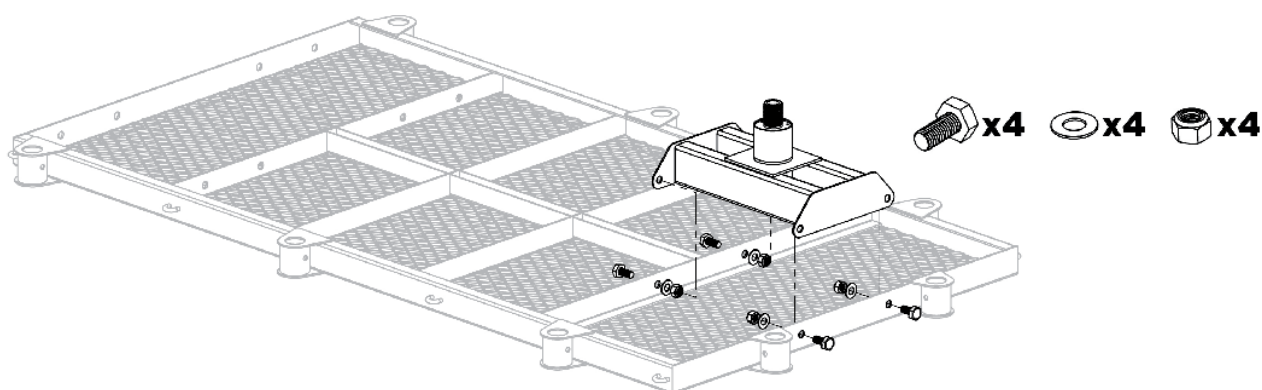
- It's recommended that two people assemble the product.
- Finger-tighten all nuts and bolts. After all parts are assembled, tighten all nuts and bolts securely.

### Tools Required



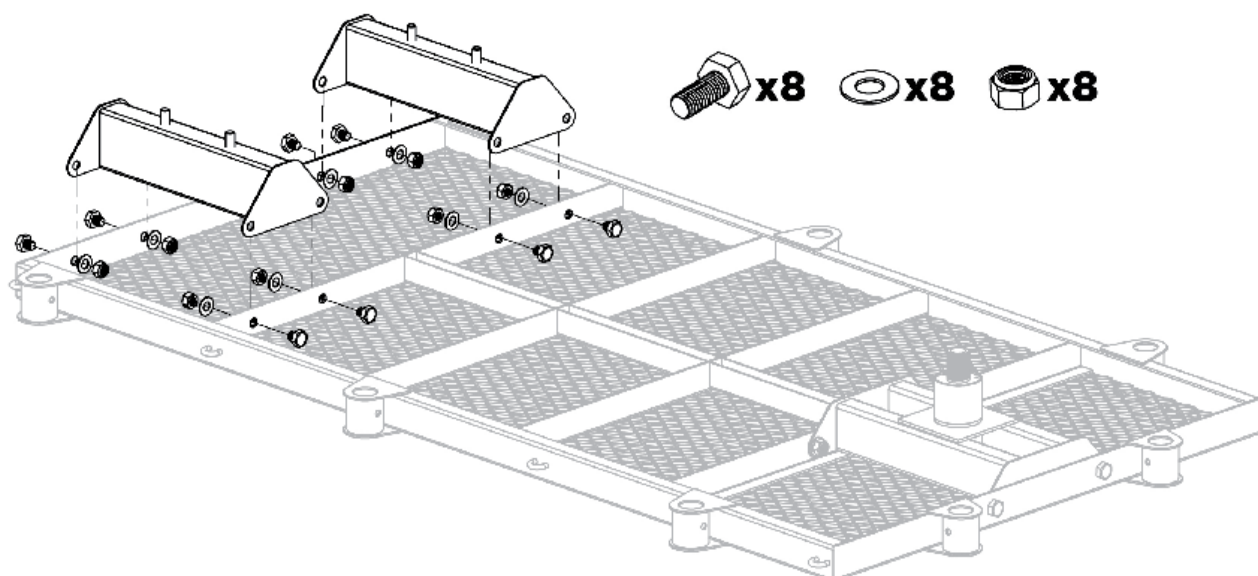
### Step 1

Attach the pivot to the wagon bed. Finger-tighten bolts.



### Step 2

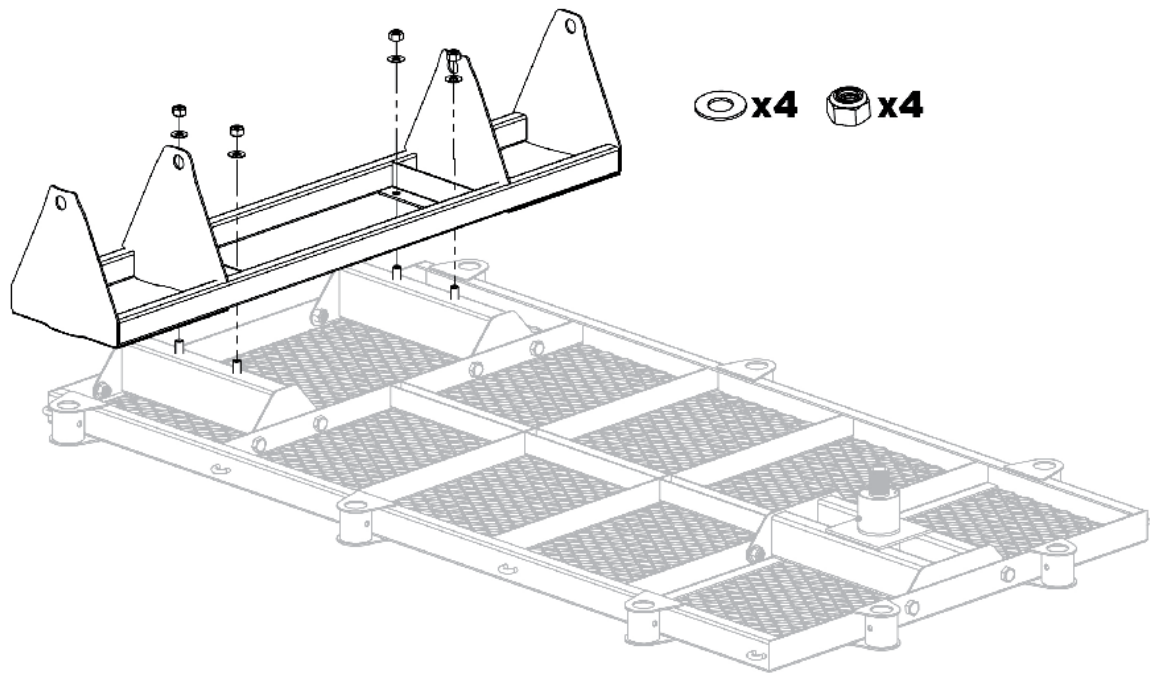
Attach the rear axle mounts (2) to the wagon bed. Finger-tighten bolts.





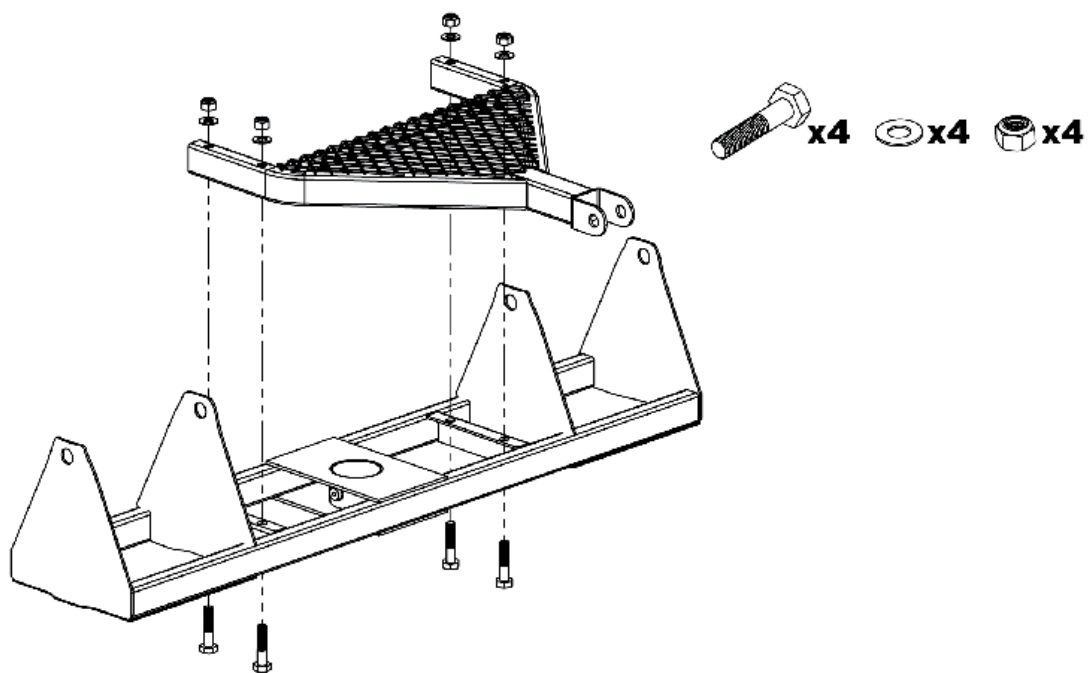
### Step 3

Attach the rear axle to the rear axle mounts. Finger-tighten nuts.



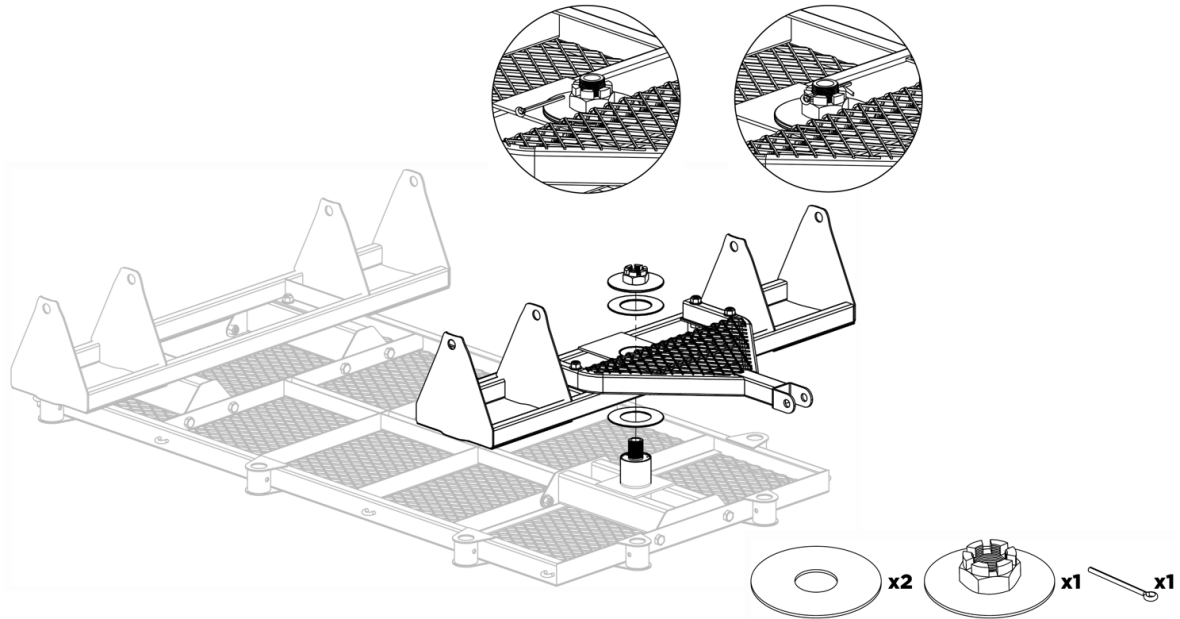
### Step 4

Attach the yoke to the front axle. Finger-tighten nuts.



### Step 5

Attach the front axle assembly to the wagon bed. Do not over-tighten the castle nut. Next slide the cotter pin through the threaded pivot shaft and bend.

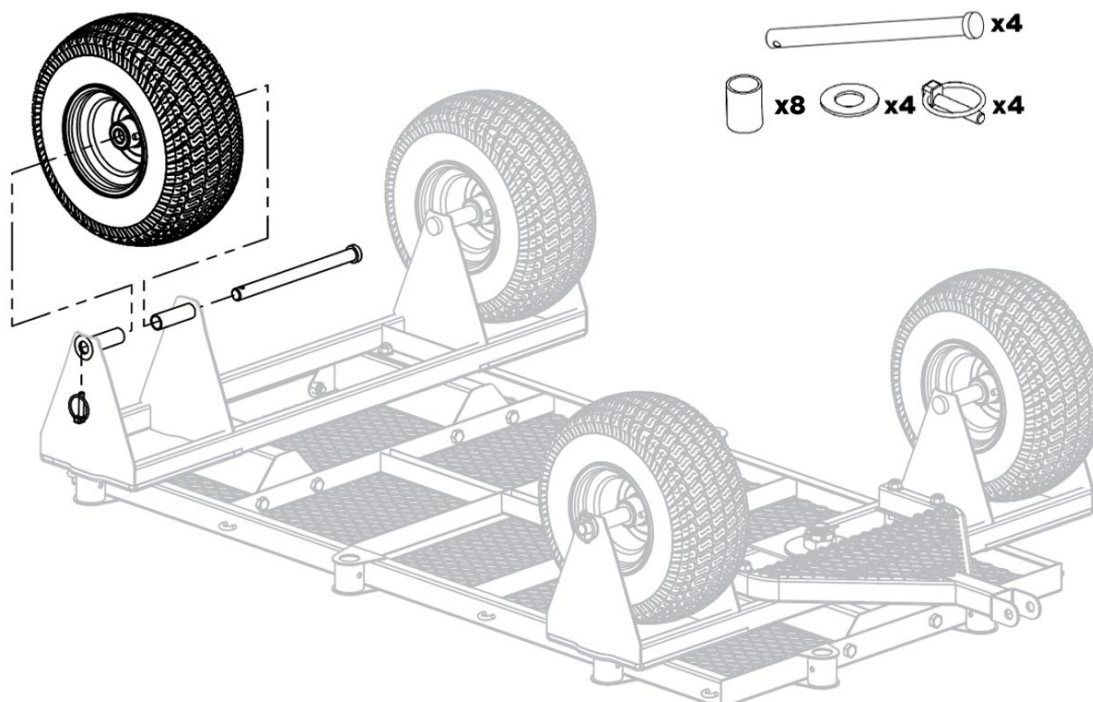


### Step 6

Attach (4) tires onto the axles using axle shafts, spacers, washers. Secure using the locking pins. Make sure to assemble the tires so the valve stems and grease-fittings will be accessible for maintenance.

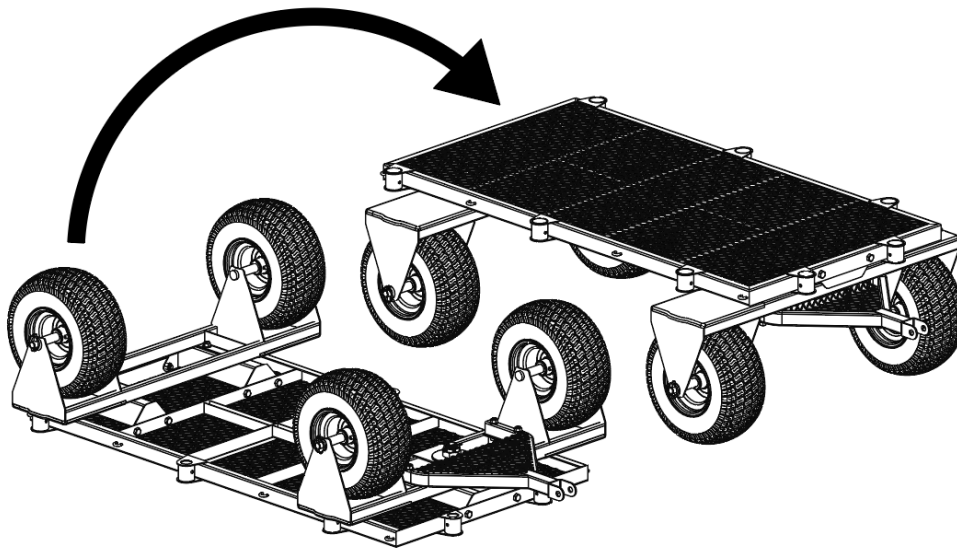
**Completely fill hubs with grease before first use. It is recommended to use 2 tubes (16 oz.) of heavy duty general purpose grease.**

**Check each wheel annually to ensure hubs remain full of grease.**



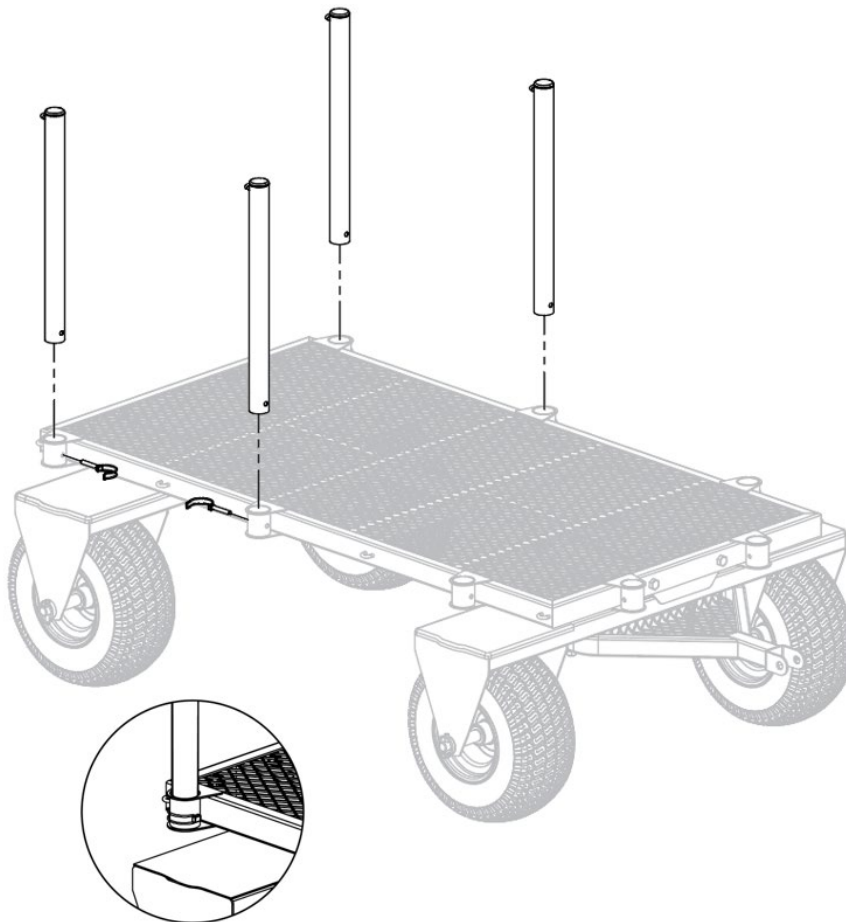
### Step 7

Tighten all nuts and bolts securely then flip the wagon onto the tires. Team lift is recommended.



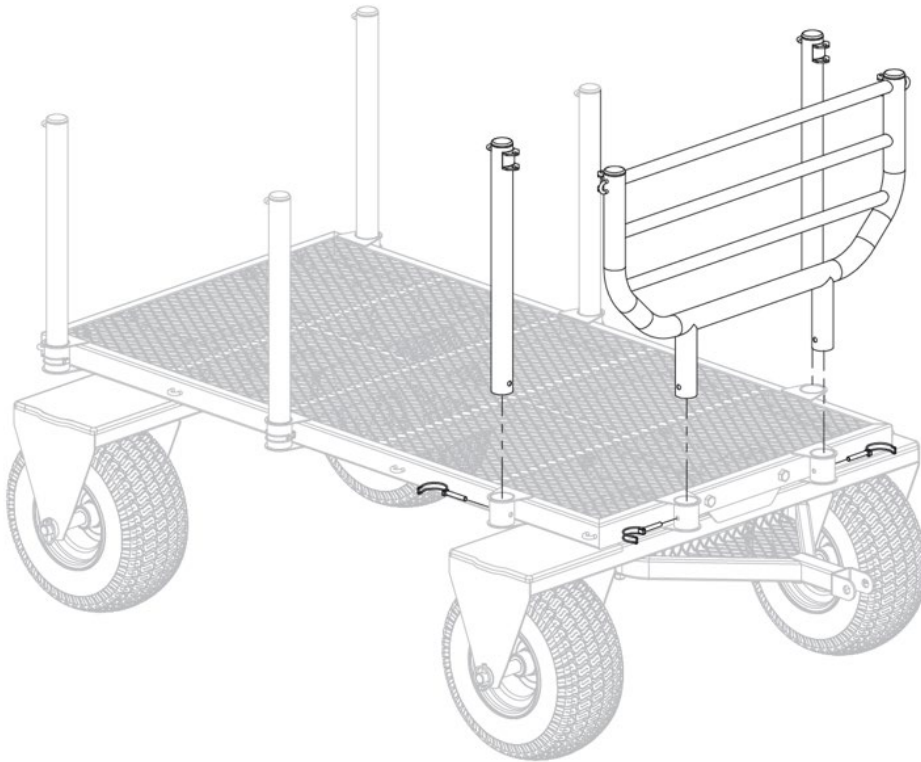
### Step 8

Attach the rear posts (4) to the wagon. Secure using locking pins.



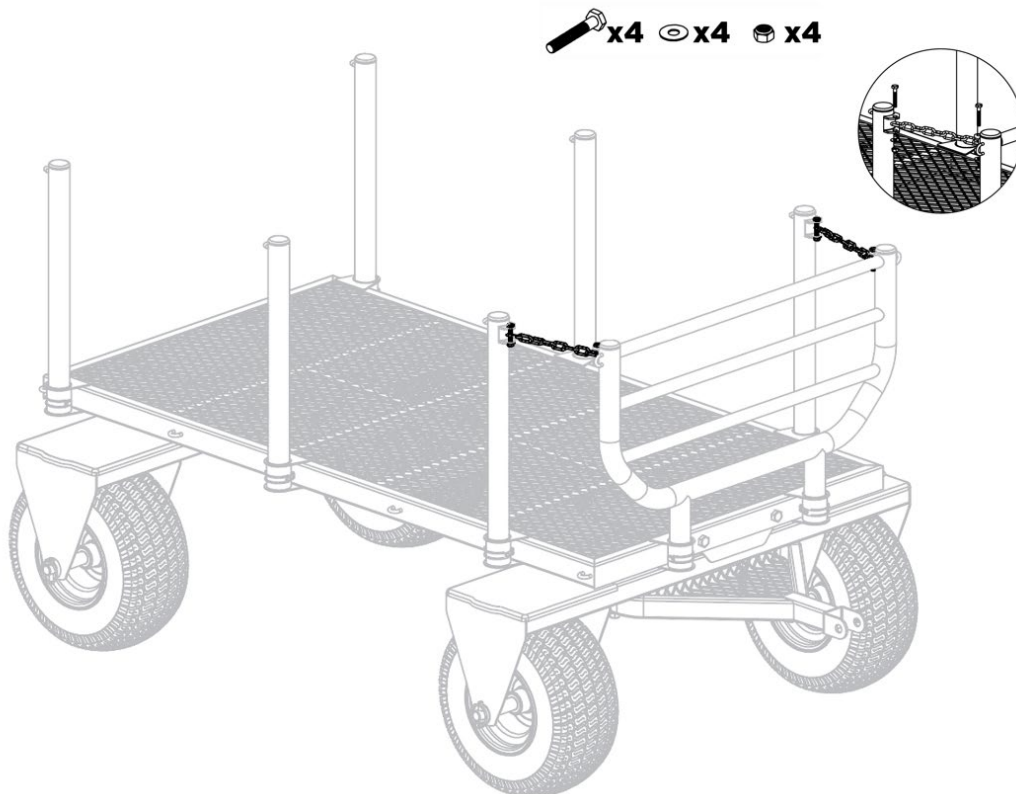
### Step 9

Attach the front posts (2) and the front panel (1) to the wagon. Secure using the locking pins.



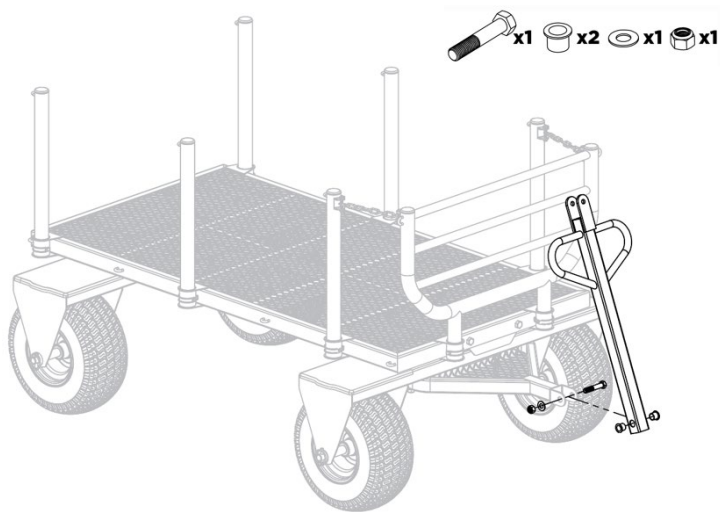
### Step 10

Attach the chains (2) to connect the front posts and front panel to the wagon. Tighten bolts securely.



## Step 11

Attach the handle to the wagon.



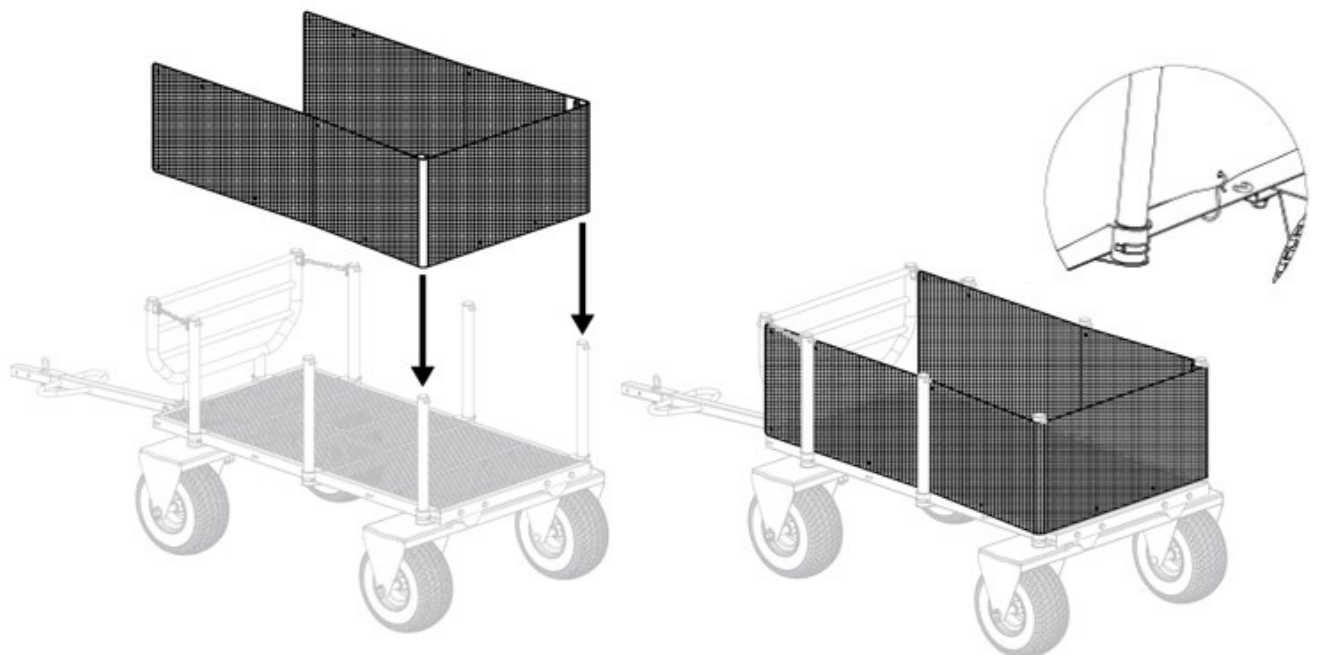
## Step 12

Attach the cargo netting to the wagon.

- A. Slide the rear sleeve of the tarp over a rear post.
- B. Slide the other sleeve over the opposite rear post.

**Note:** It may be easier to remove the second rear post and slide it into the tarp and then re-insert the post.

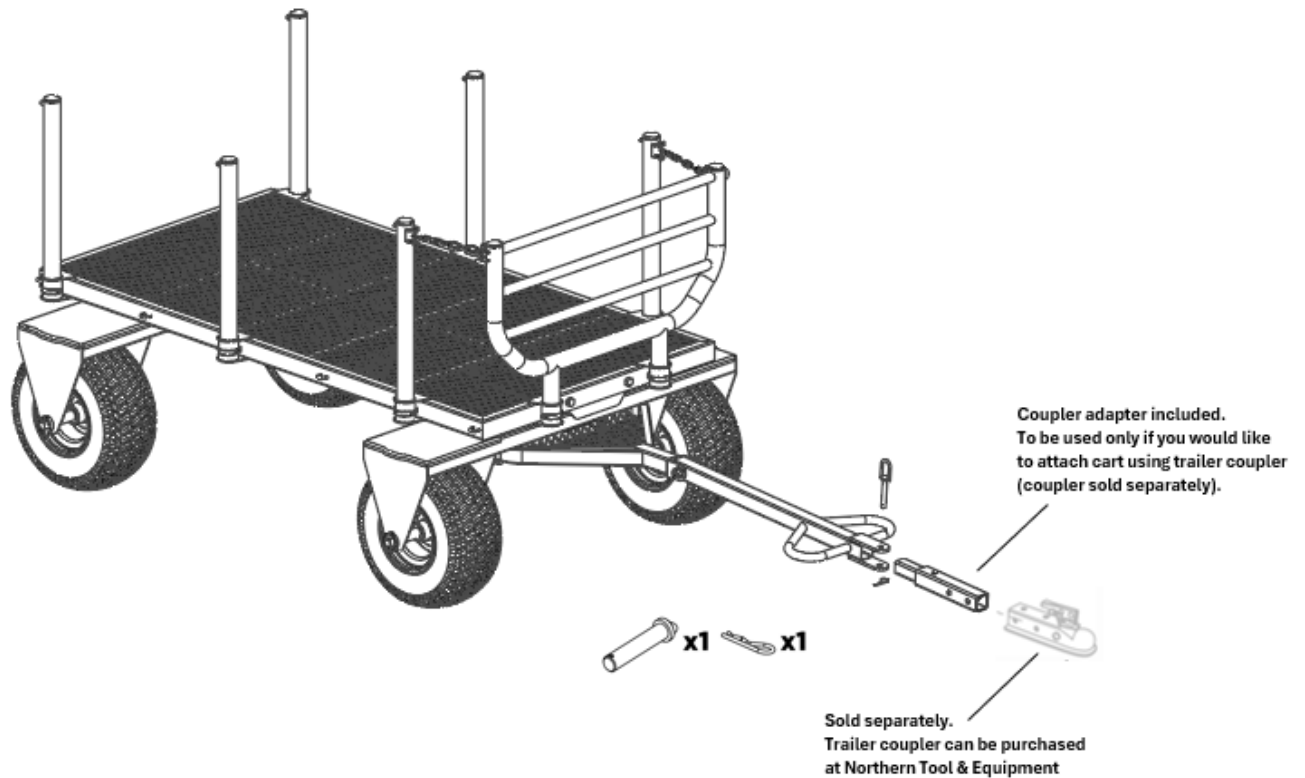
- C. Route the tarp to the inside of the other rear and front posts.
- D. Clip the top hooks to the D loops on top of the posts. Clip the bottom hooks to the underside of the C channel on the wagon bed.



### Step 13 (optional)

#### Installation of the Coupler Adapter

This part should only be used if you purchase a trailer coupler from Northern Tool & Equipment (sold separately).



### Before Each Use

#### ⚠WARNING

- Read carefully and understand all assembly and operation instructions before operating.
- Failure to follow the safety rules and other basic safety precautions may result in serious personal injury.
- Periodically check all nuts, bolts, and pins for tightness. Nuts, bolts, and pins may become loose from vibration.
- Always check for damaged or worn out parts before using this wagon. Broken parts will affect the operation. Replace or repair damaged or worn parts immediately.
- Check tires for the correct tire pressure before each use.
- Keep all moving parts lubricated to prevent seizing.



## Operating Instructions

### **⚠WARNING**

- Always use caution when loading and unloading the wagon.
- Do not exceed the overall maximum load capacity of 1800 lbs. The weight rating is based on an evenly distributed load.
- Distribute the load evenly.
- Do not tow behind a vehicle on a road or in any high speed application.
- Do not load items on the top edges of the posts. Remove posts before loading oversized items. Use caution when removing the posts.
- Do not use the wagon to transport passengers in or on the wagon.
- The wagon is not intended for highway use. Do not exceed 10 mph.

## After Each Use

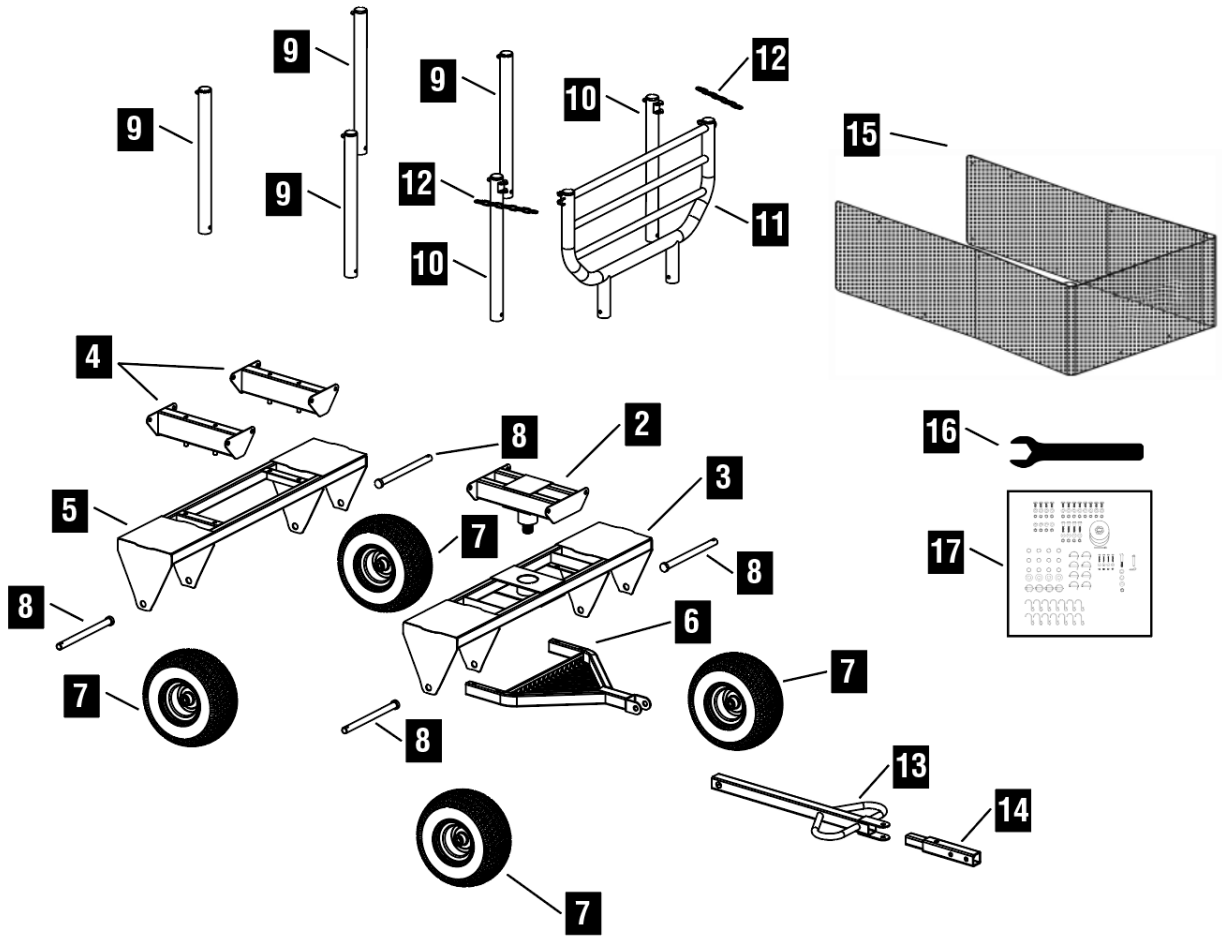
### **⚠WARNING**

Store an idle wagon. When the wagon is not in use, store it in a secure place out of reach of children. Inspect it for good working condition prior to storage and before re-use.

## Maintenance

Maintain the wagon by adopting a program of conscientious repair and maintenance in accordance with the following recommended procedures. It is recommended that the general condition of any wagon be examined before it is used. Keep your wagon in good repair.

## Parts Diagram



## Parts List

Reference	Item Description	Quantity
2	Front Axle Pivot	1
3	Front Axle Assembly	1
4	Rear Axle Mount	2
5	Rear Axle Assembly	1
6	Yoke Assembly	1
7	Tire	4
8	Axle Shaft	4
9	Rear Post	4
10	Front Post	2
11	Front Panel	1
12	Chain	2
13	Handle	1
14	Coupler Adapter	1
15	Cargo Net	1
16	Wrench	1
17	Hardware Kit	1



## Replacement Parts

- For replacement parts and technical questions, please call Customer Service at **1-800-222-5381**.
- Not all product components are available for replacement. The illustrations provided are a convenient reference to the location and position of parts in the assembly sequence.
- When ordering parts, the following information will be required: item description, item model number, item serial number/item lot date code, and the replacement part reference number.
- The distributor reserves the rights to make design changes and or improvements to product lines and manuals without notice.

## Limited Warranty

Northern Tool and Equipment Company, Inc. ("We" or "Us") warrants to the original purchaser only ("You" or "Your") that the Strongway product purchased will be free from material defects in both materials and workmanship for a period of two years from the date of purchase. The foregoing warranty is valid only if the installation and use of the product is strictly in accordance with product instructions. There are no other warranties, express or implied, including the warranty of merchantability or fitness for a particular purpose. If the product does not comply with this limited warranty, Your sole and exclusive remedy is that We will, at our sole option and within a commercially reasonable time, either replace the product or product component without charge to You or refund the purchase price (less shipping). This limited warranty is not transferable.

### Limitations on the Warranty

This limited warranty does not cover: (a) normal wear and tear; (b) damage through abuse, neglect, misuse, or as a result of any accident or in any other manner; (c) damage from misapplication, overloading, or improper installation; (d) improper maintenance and repair; and (e) product alteration in any manner, with the sole exception of alterations made pursuant to product instructions and in a workmanlike manner.

### Obligations of Purchaser

You must retain Your product purchase receipt to verify date of purchase and that You are the original purchaser. To make a warranty claim, contact Us at 1-800-222-5381, identify the product by make and model number, and follow the claim instructions that will be provided. The product and the purchase receipt must be provided to Us in order to process Your warranty claim. Any returned product that is replaced or refunded by Us becomes our property. You will be responsible for return shipping costs or costs related to Your return visit to a retail store.

### Remedy Limits

Product replacement or a refund of the purchase price is Your sole remedy under this limited warranty or any other warranty related to the product. We shall not be liable for: service or labor charges or damage to Your property incurred in removing or replacing the product; any damages, including, without limitation, damages to tangible personal property or personal injury, related to Your improper use, installation, or maintenance of the product or product component; or any indirect, incidental or consequential damages of any kind for any reason.

### Assumption of Risk

You acknowledge and agree that any use of the product for any purpose other than the specified use(s) stated in the product instructions is at Your own risk.

### Governing Law

This limited warranty gives You specific legal rights, and You also may have other rights which vary from state to state. Some states do not allow limitations or exclusions on implied warranties or incidental or consequential damages, so the above limitations may not apply to You. This limited warranty is governed by the laws of the State of Minnesota, without regard to rules pertaining to conflicts of law. The state courts located in Dakota County, Minnesota shall have exclusive jurisdiction for any disputes relating to this warranty.

# **STRONGWAY™**

Distributed by:

Northern Tool & Equipment Company, Inc.

Burnsville, Minnesota 55306

[www.northerntool.com](http://www.northerntool.com)

Made in China